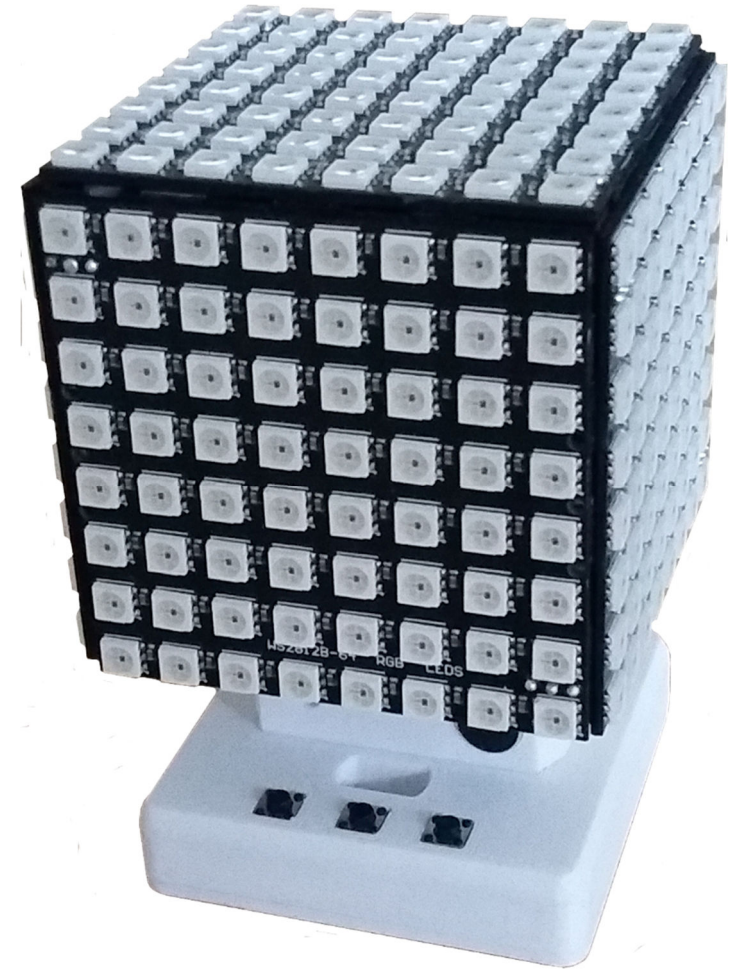
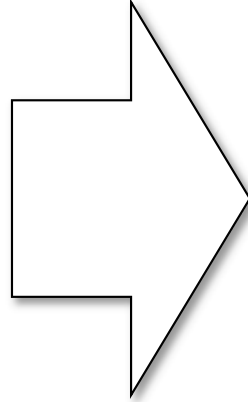
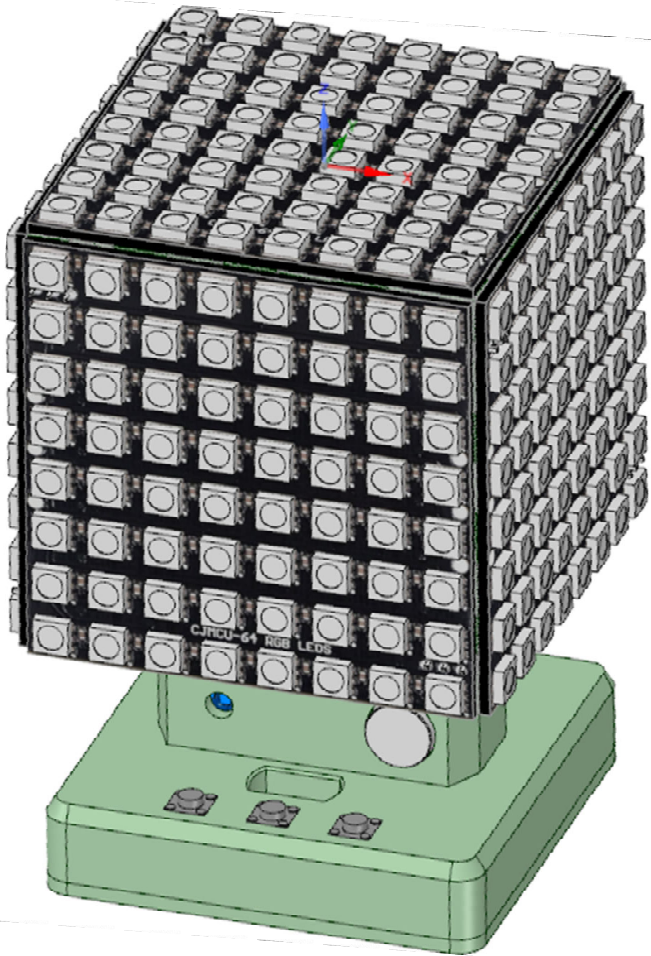
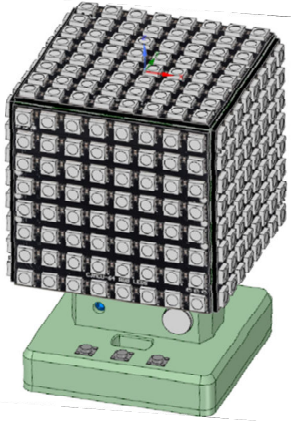


Cube 8x8x5

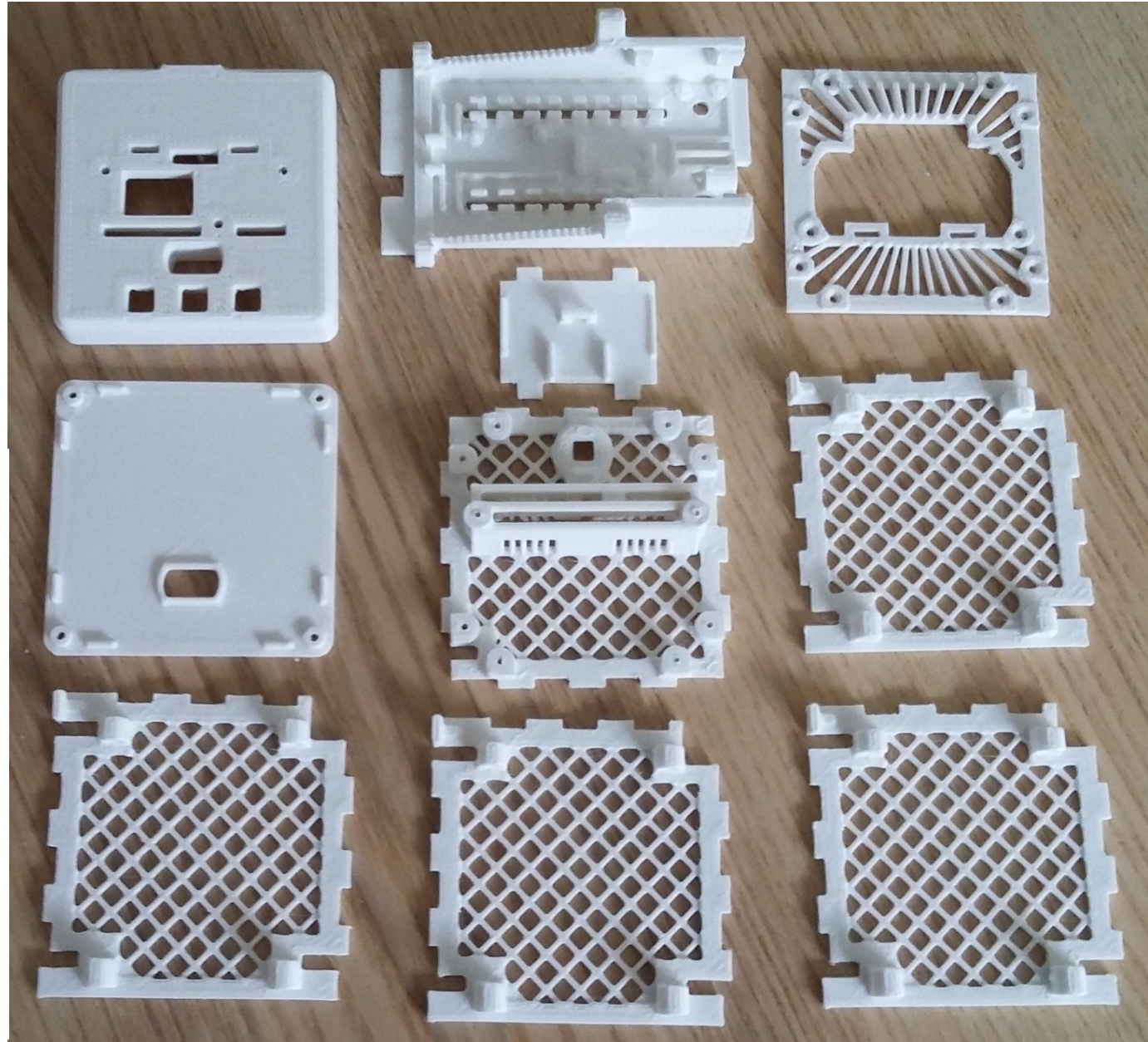
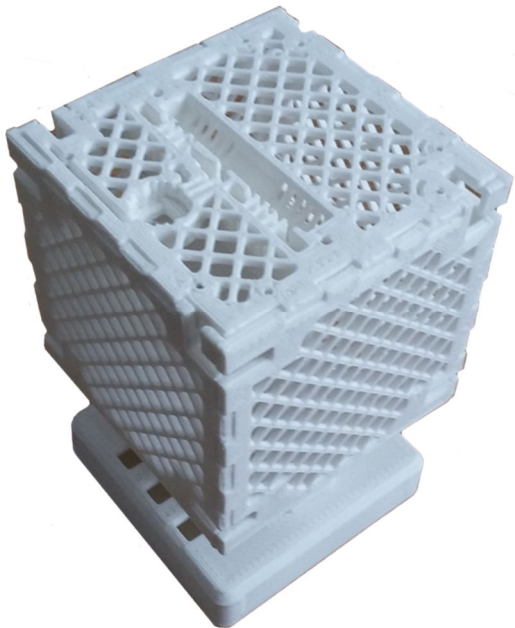
3D Models



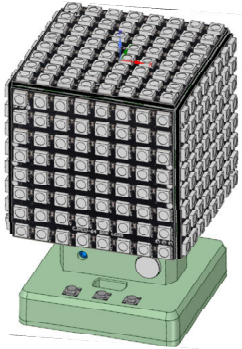
Printed Parts



A full set of printed parts will look like this:



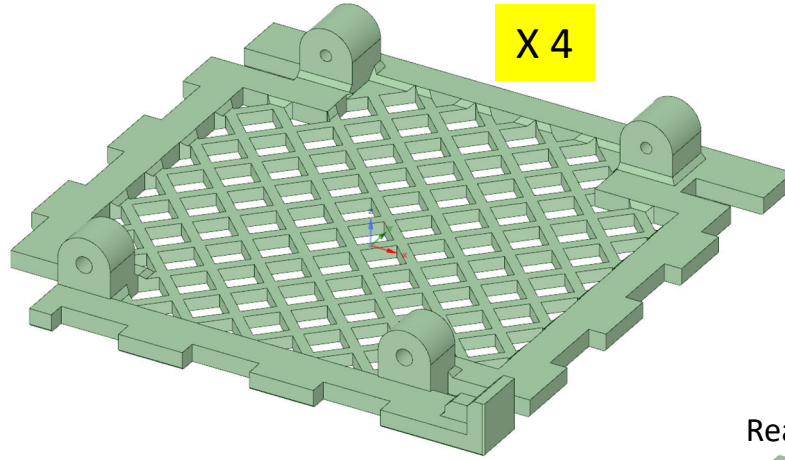
Printed Parts



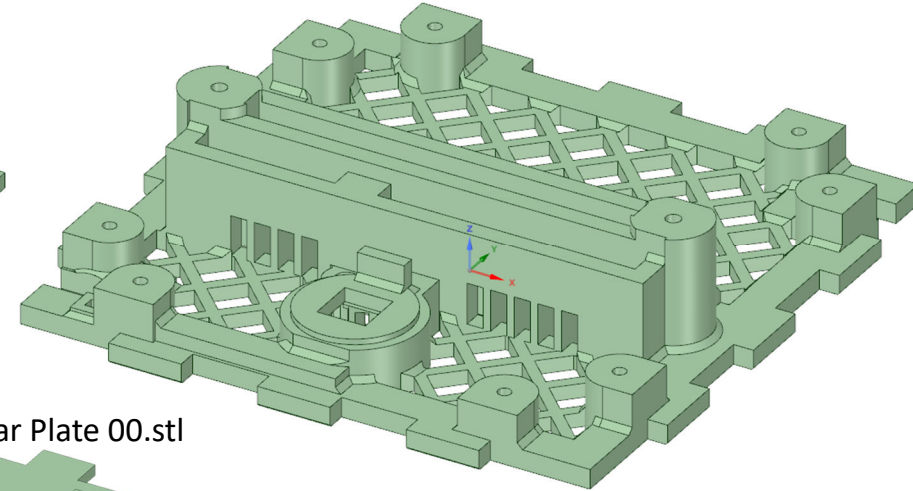
This should help you identify all of the parts needed to build this cube.

Matrix Plate Mount 00.stl

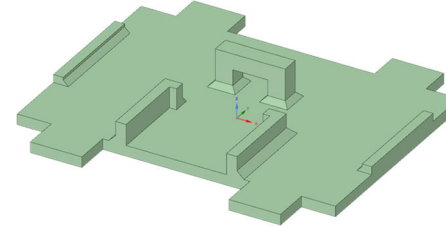
X 4



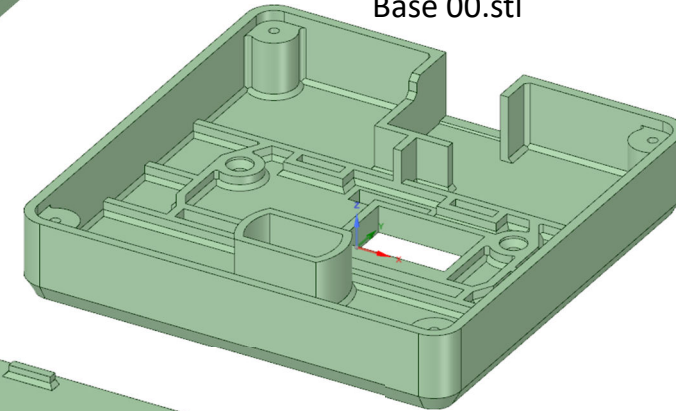
Top Plate 00.stl



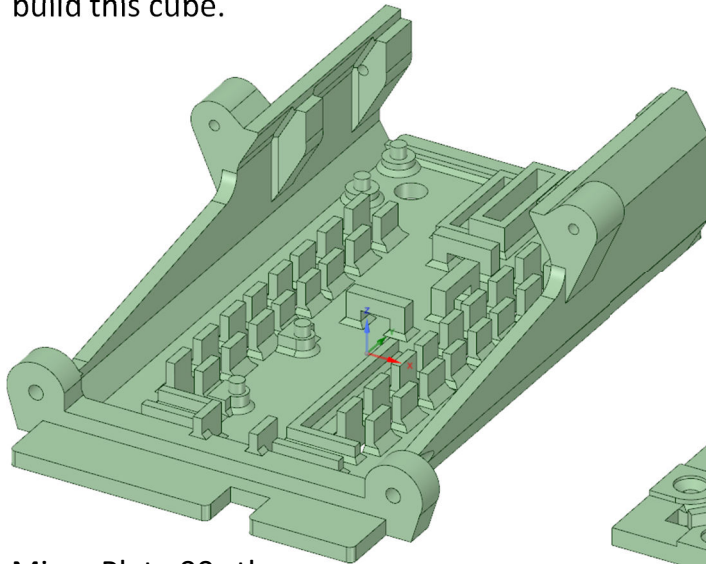
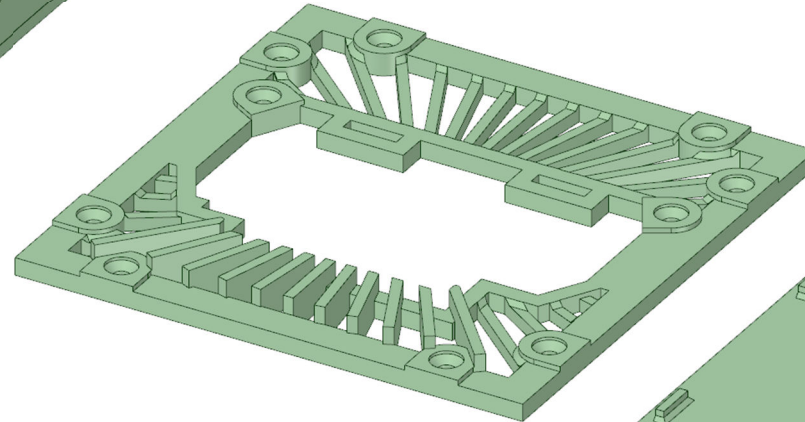
Rear Plate 00.stl



Base 00.stl

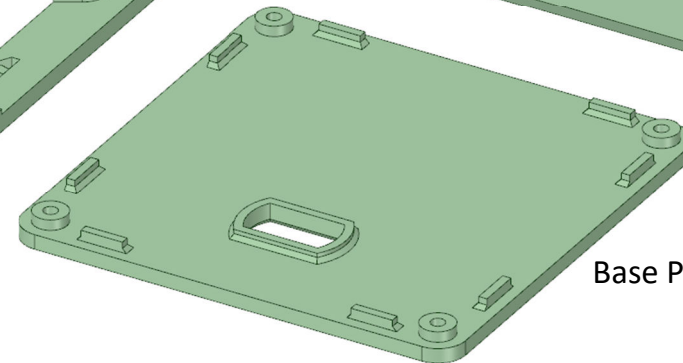


Lower Plate 01.stl



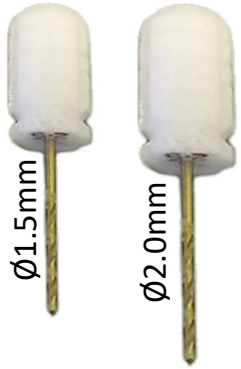
Micro Plate 00.stl
Or
Micro Plate Type C 00.stl

You only need one of these micro plates, depending on the type of ESP32 Dev kit you purchase



Base Plate 00.stl

Printed Parts



Use the drill sizes shown to create pilot and clearance holes for the 2x10mm self-tapping screws..

