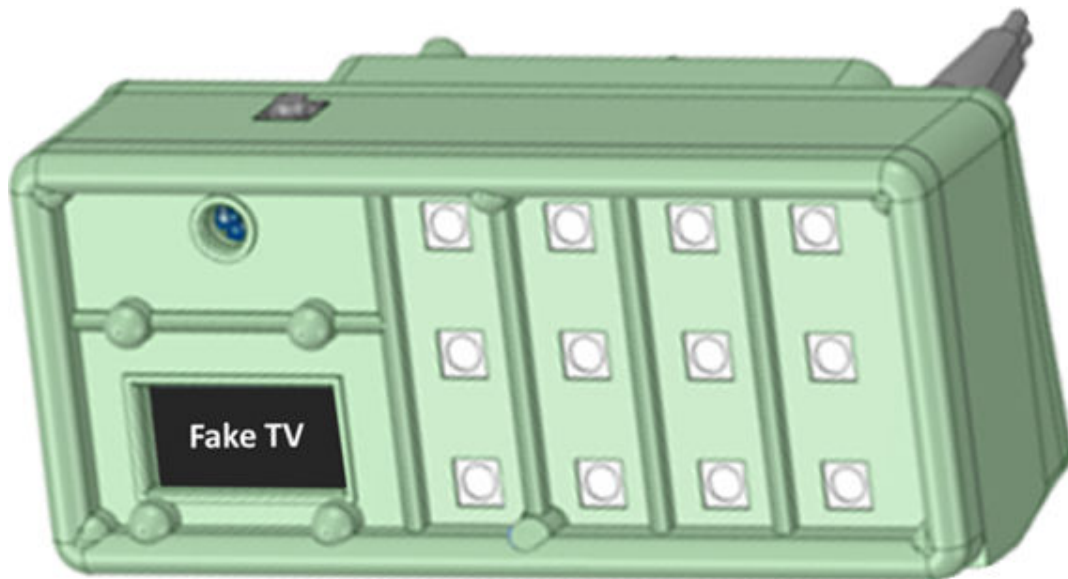
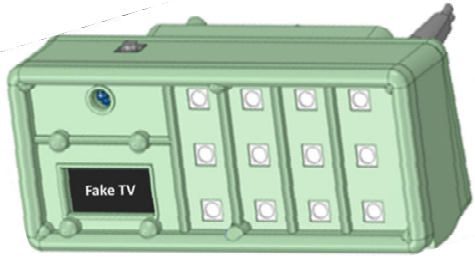


Fake TV v2

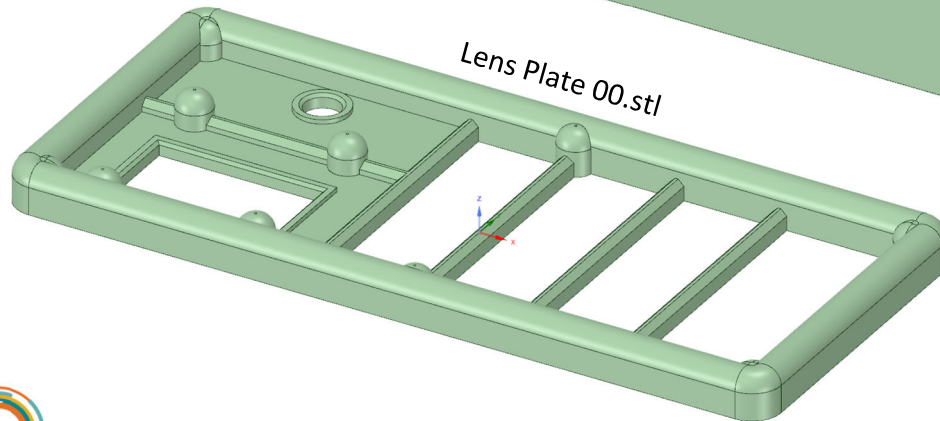
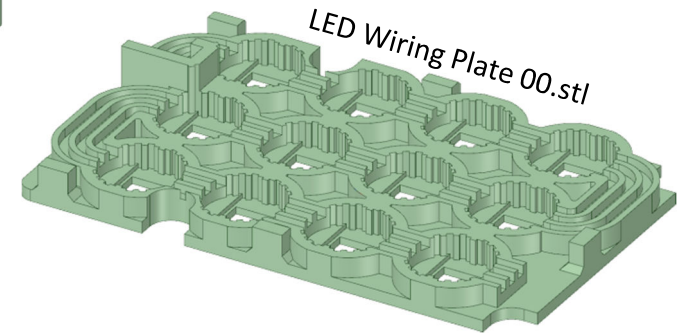
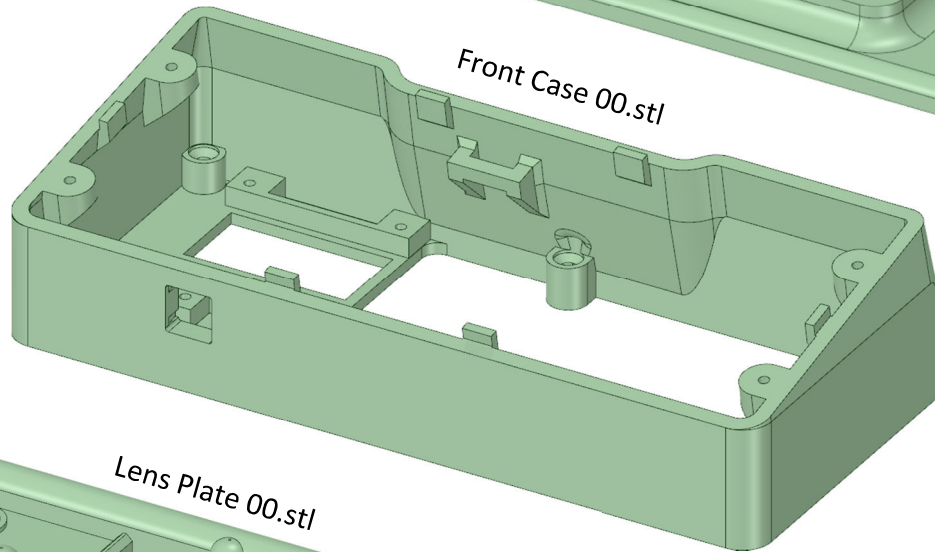
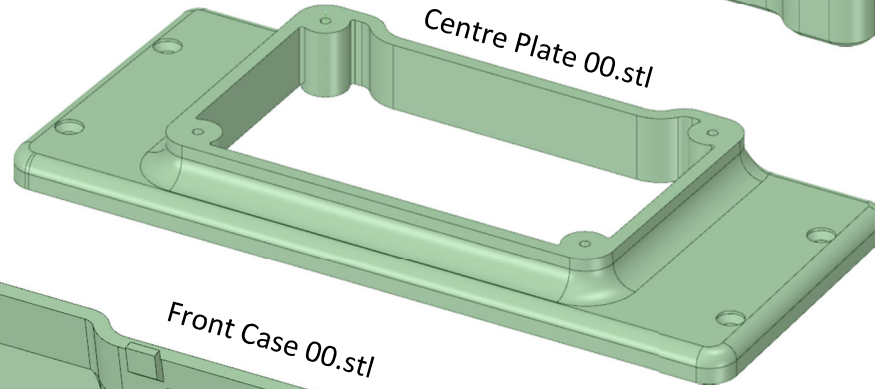
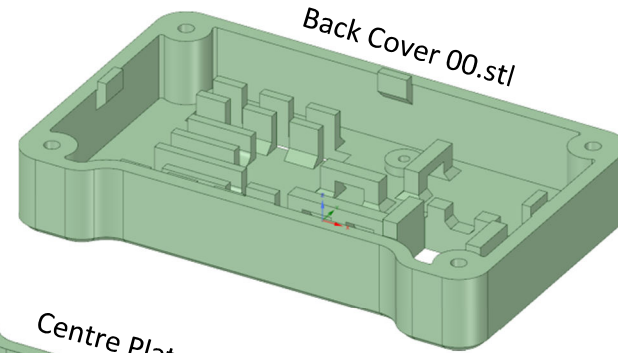
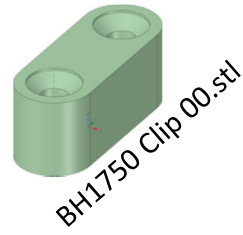
3-D Parts



Printed Parts



This should help you identify all of the parts needed to build this robot. Not to scale and orientated for printing.



Drill & Tap Sizes

Holes may not print to correct size. Pilot hole sizes are required as a foundation for tapping.

