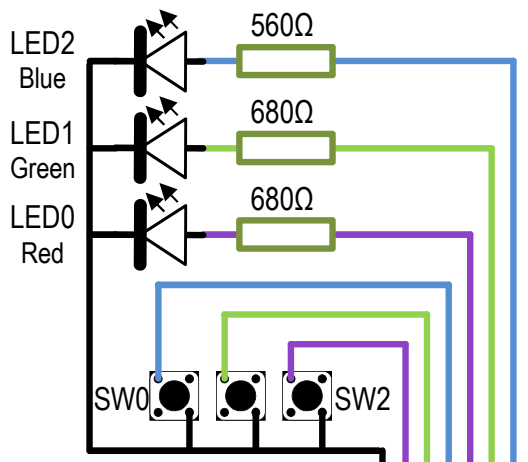
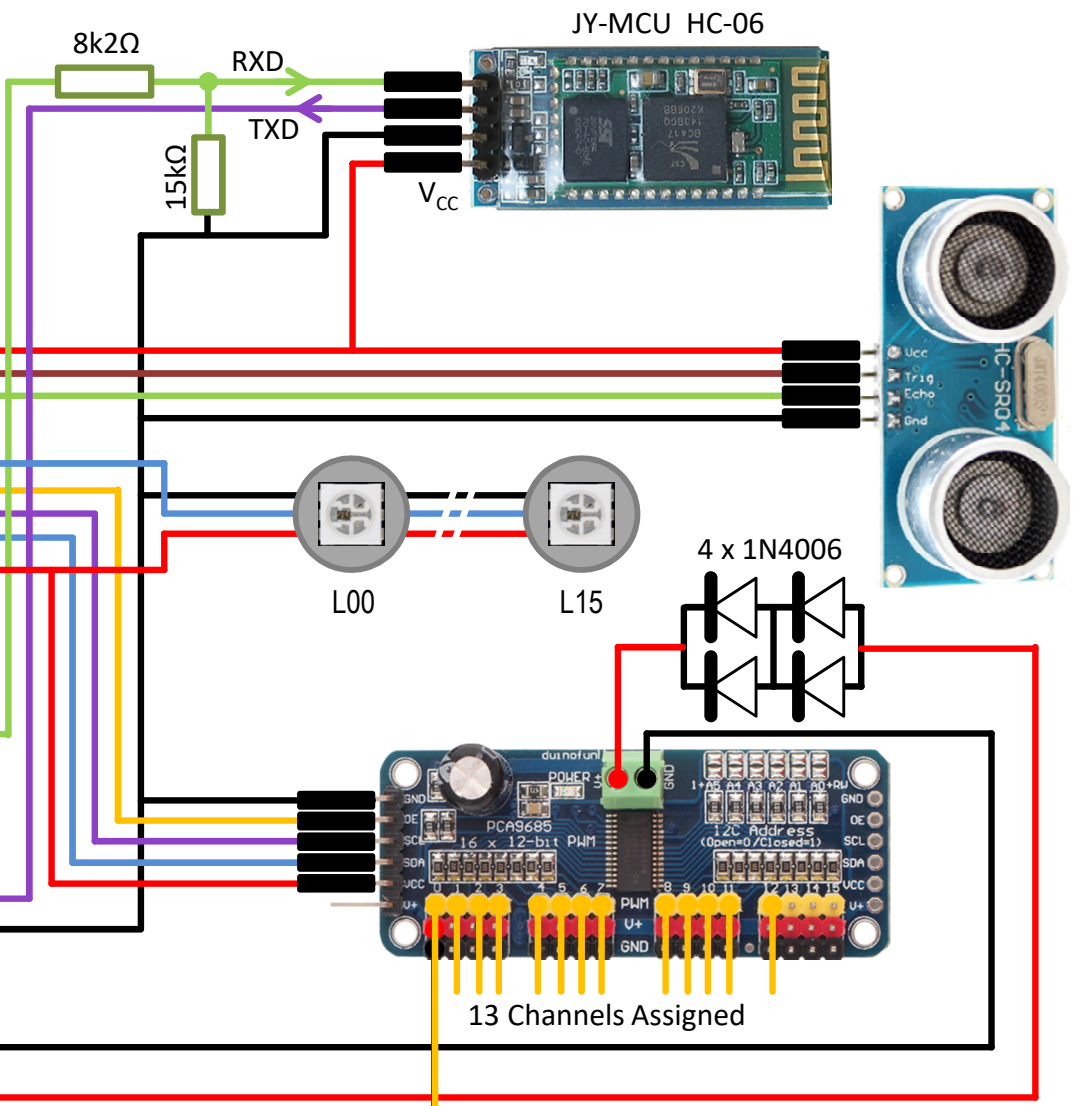
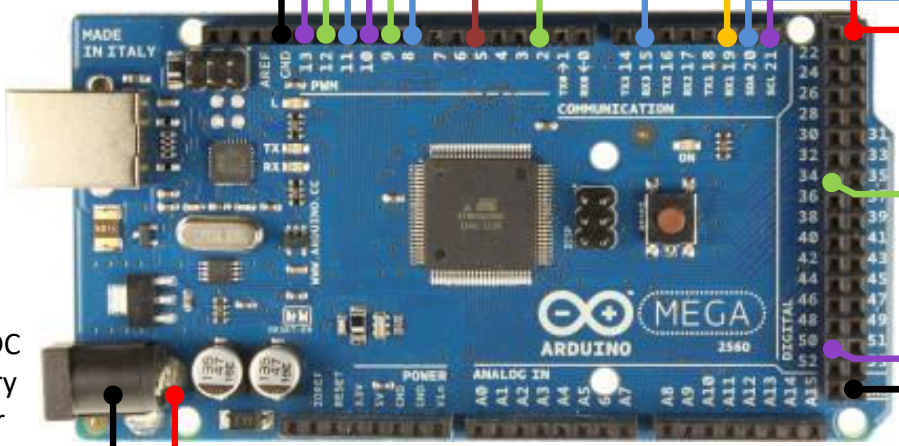


Base Total Wiring

GND	GND	Black
VCC	VCC	Yellow
Pin 2	Echo	
Pin 5	Trig	
Pin 19	OE	Brown
Pin 20	SDA	Orange
Pin 21	SCL	Red
Pin 34	RxD	Green
Pin 50	TxD	Yellow



7.5v DC Battery Power



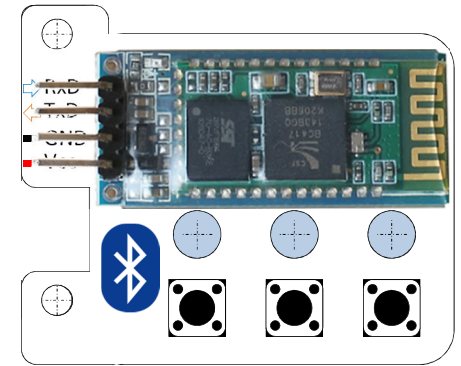
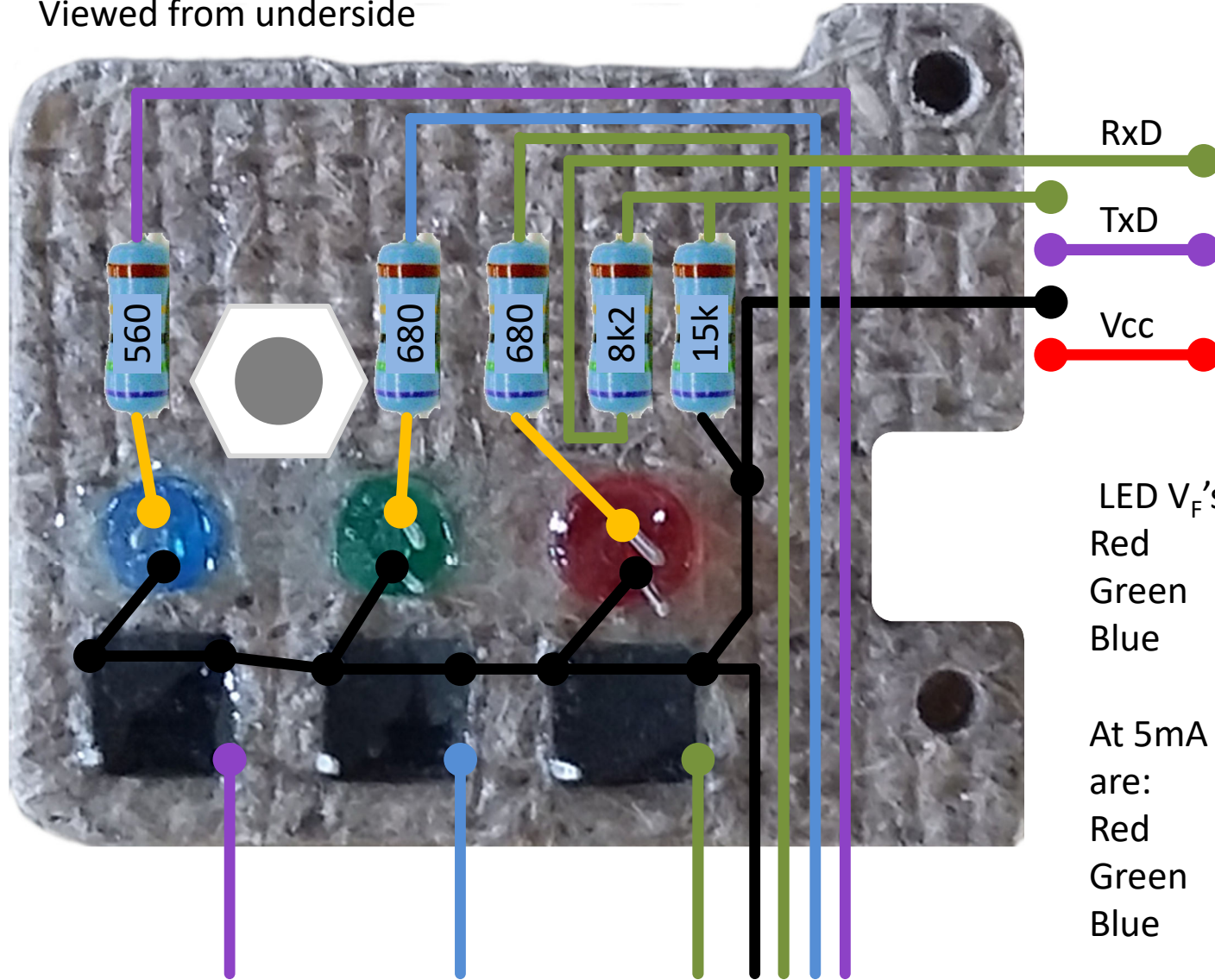
Ch00	ServoHead
Ch01	ServoRgtR0
Ch02	ServoRgtU0
Ch03	ServoLftR0
Ch04	ServoLftU0
Ch05	ServoRgtR1
Ch06	ServoRgtU1
Ch07	ServoLftR1

Ch08	ServoLftU1
Ch09	ServoRgtR2
Ch10	ServoRgtU2
Ch11	ServoLftR2
Ch12	ServoLftU2
Ch13	- spare -
Ch14	- spare -
Ch15	- spare -



Blue Tooth Switch Pad

Viewed from underside



Top View

RxD
TxD
Vcc

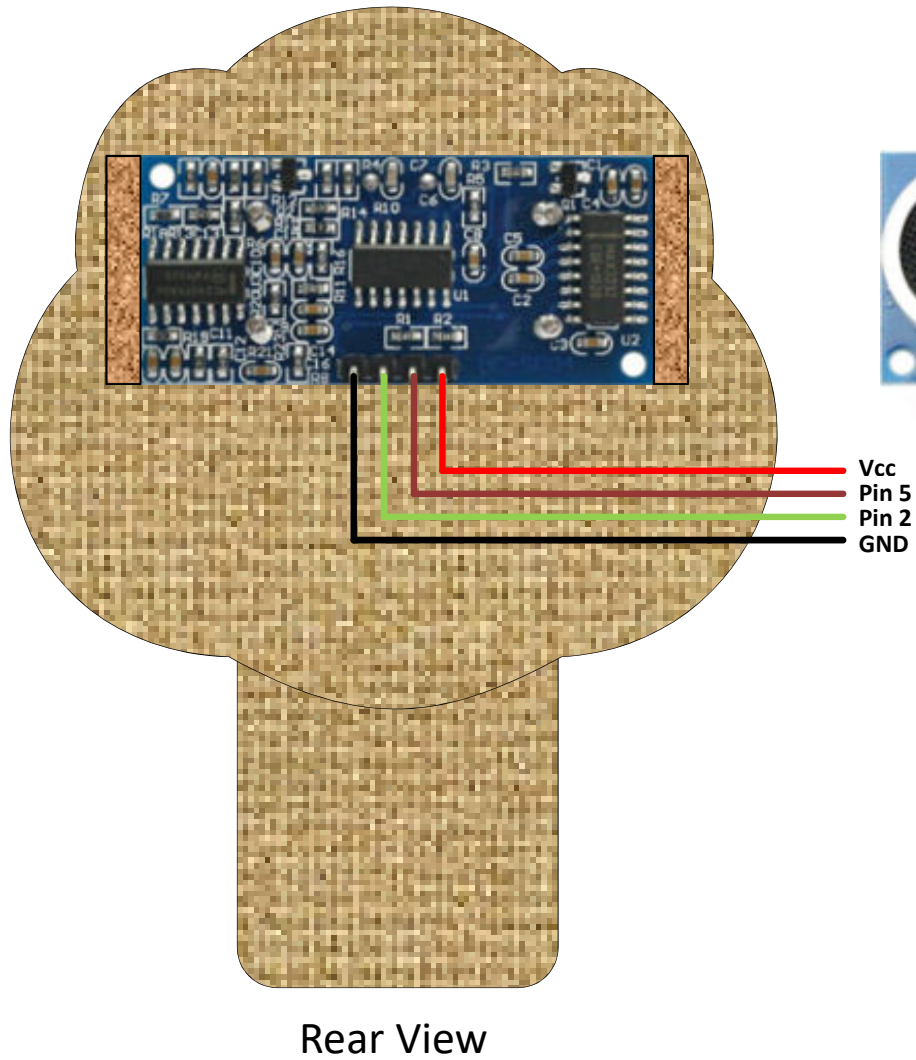
LED V_F 's:

Red 1.2v
Green 1.8v
Blue 2.2v

At 5mA $O_{ON} = 0.1v$ so resistors

are:	Calc.	E12
Red	740	680
Green	620	680
Blue	540	560

Head Ultrasonic Sensor



Front View

