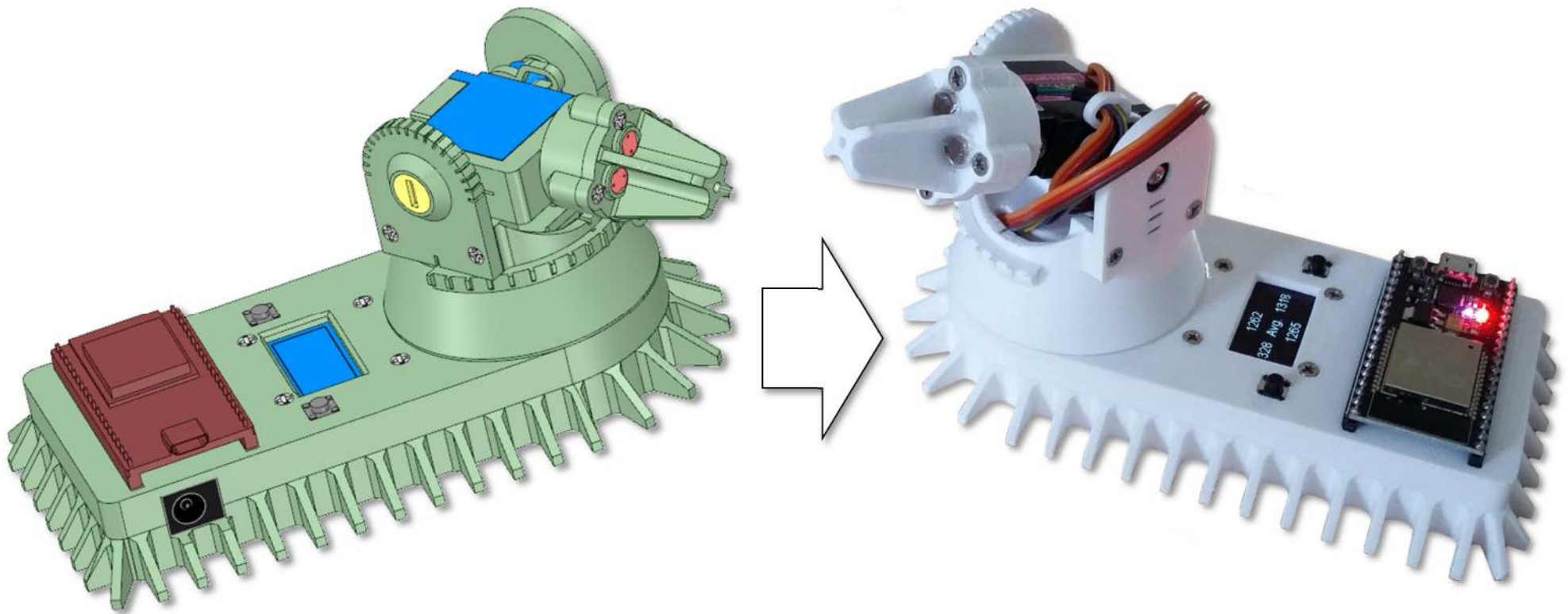
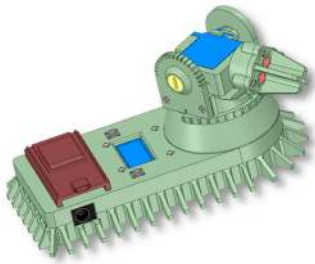


LightBot

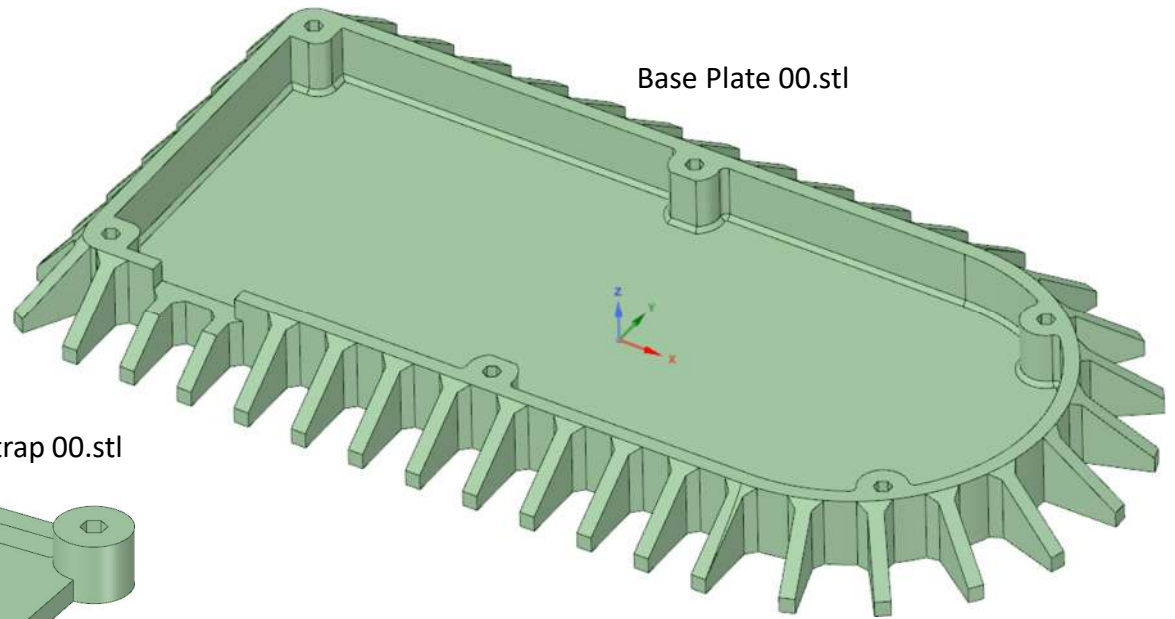
3D Parts



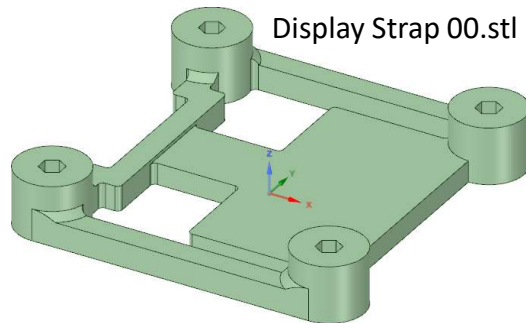
Printed Parts



This should help you identify all of the parts needed to build the robot.

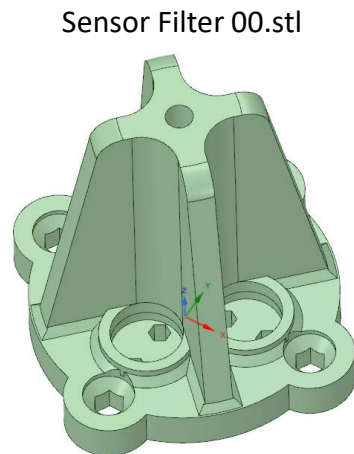
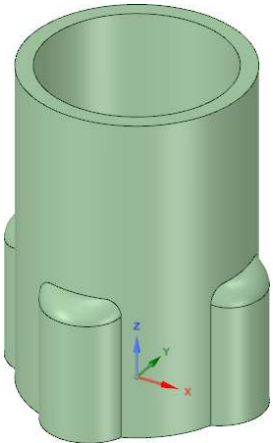


Base Plate 00.stl

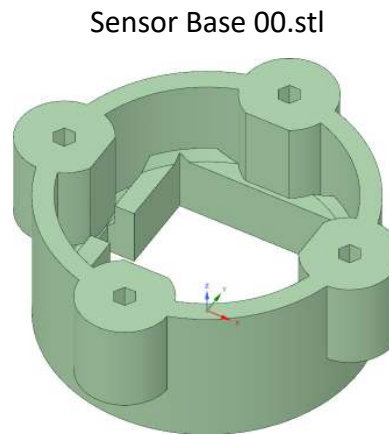


Display Strap 00.stl

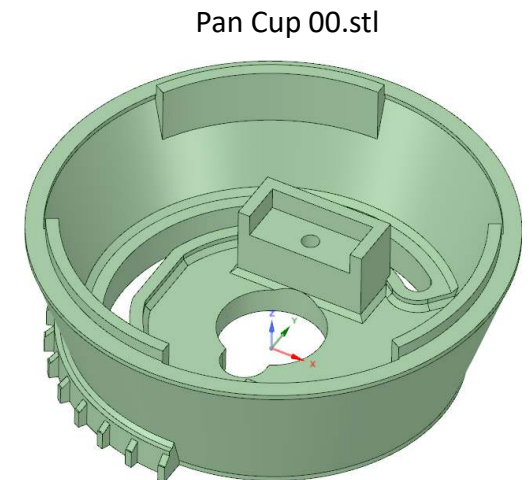
Calibration Tube 00.stl



Sensor Filter 00.stl



Sensor Base 00.stl



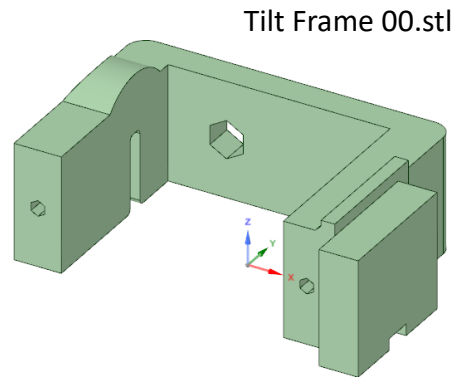
Pan Cup 00.stl

Images are not to scale

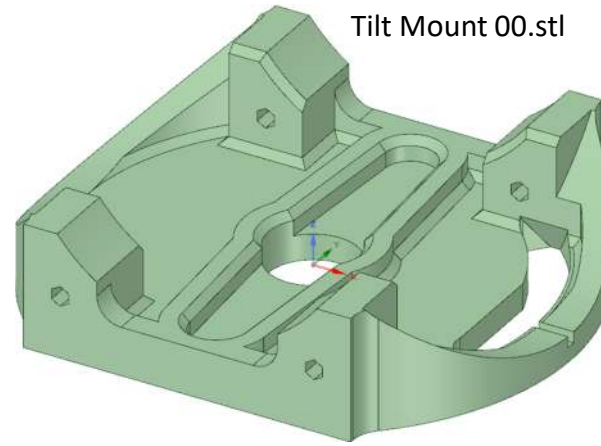
Printed Parts



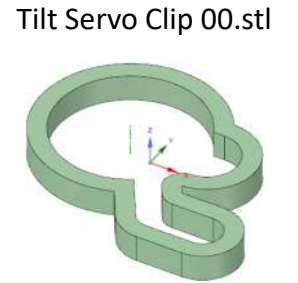
This should help you identify all of the parts needed to build the robot.



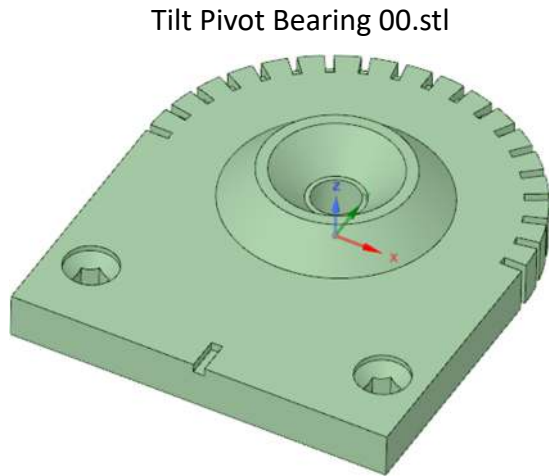
Tilt Frame 00.stl



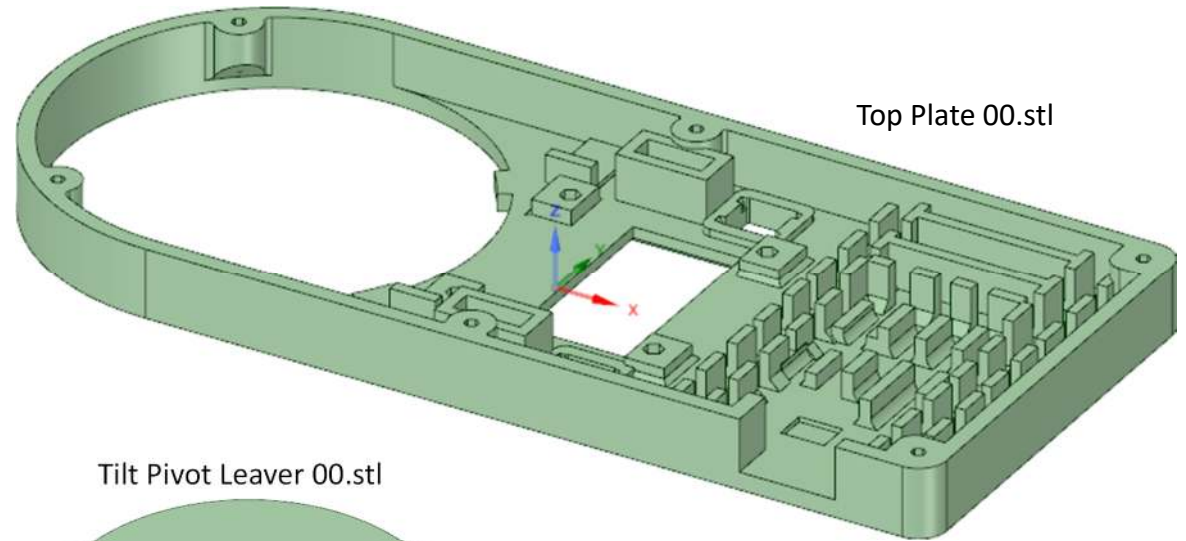
Tilt Mount 00.stl



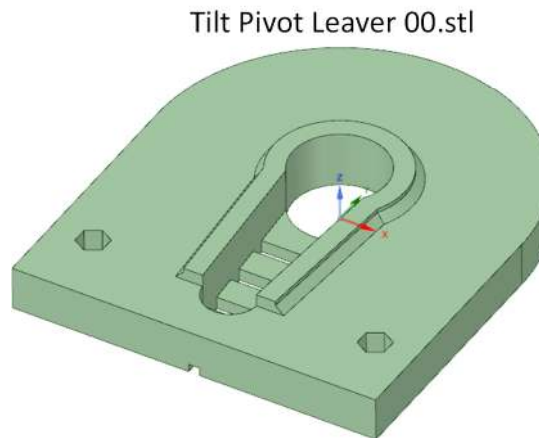
Tilt Servo Clip 00.stl



Tilt Pivot Bearing 00.stl



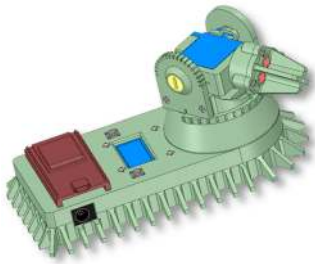
Top Plate 00.stl



Tilt Pivot Lever 00.stl

Images are not to scale

Drill Sizes



This should help you identify all of the pilot drill and clearance hole sizes.

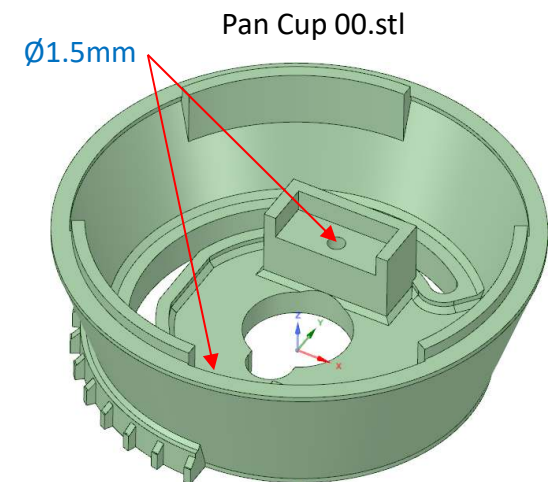
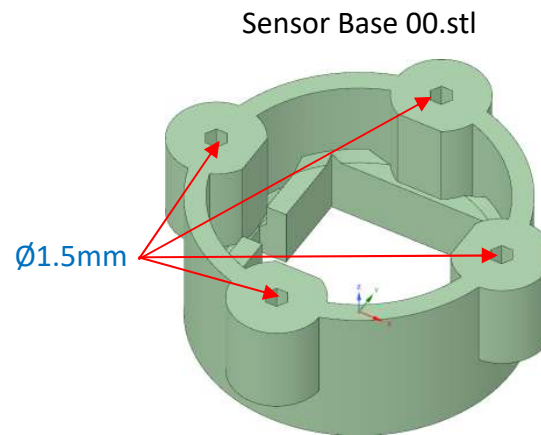
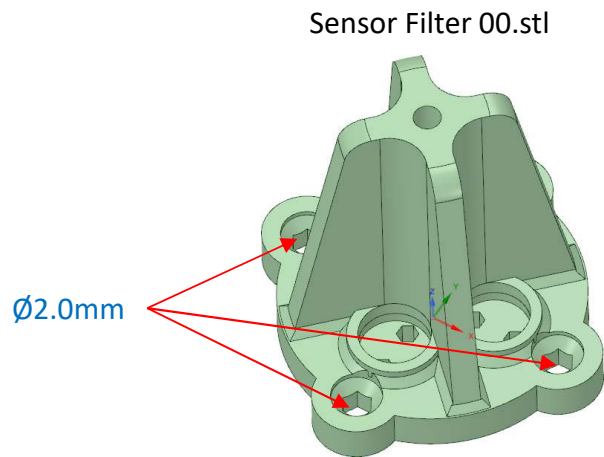
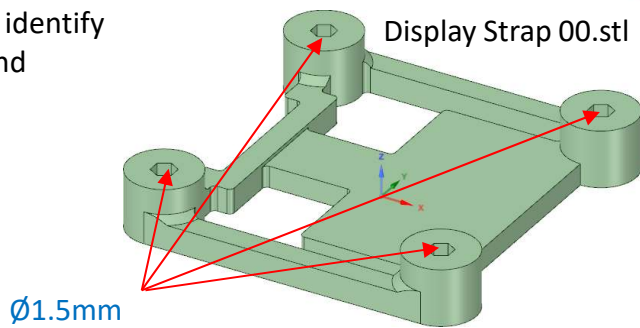
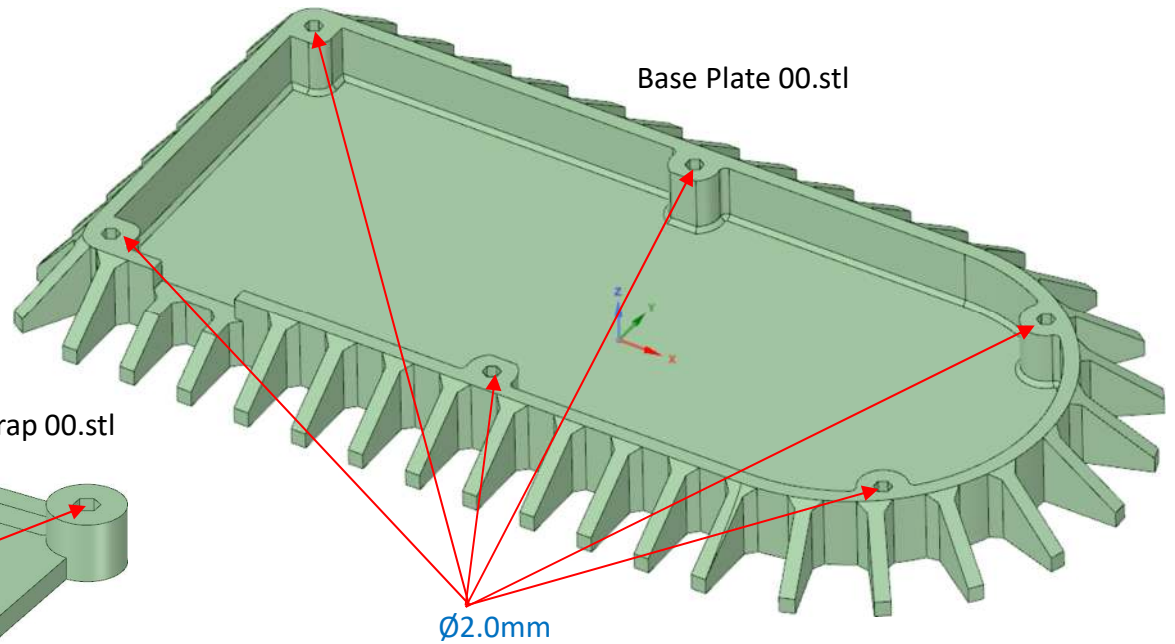


Image are not to scale

Drill Sizes



This should help you identify all of the pilot drill and clearance hole sizes.

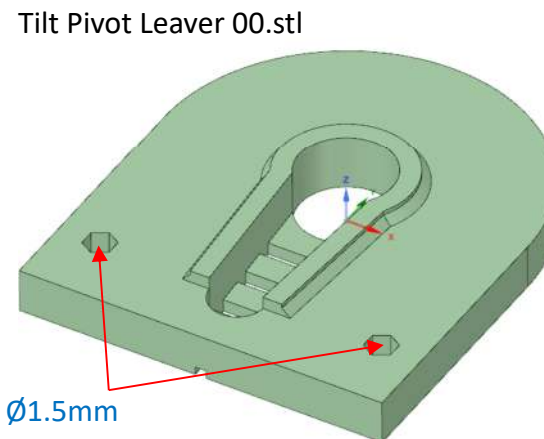
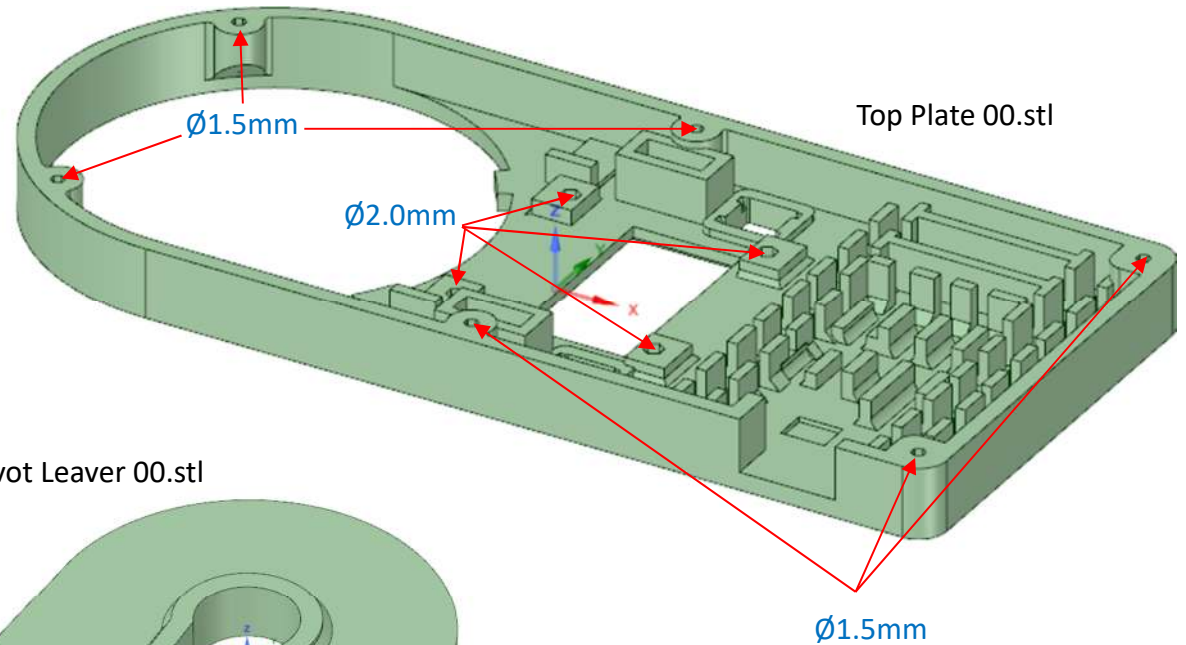
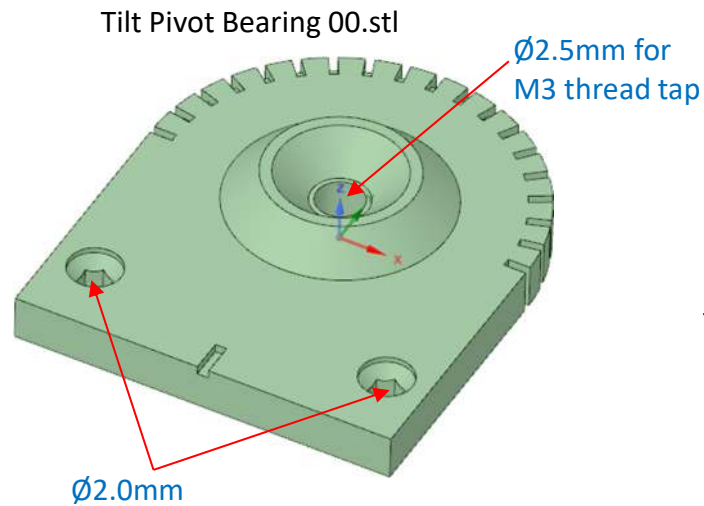
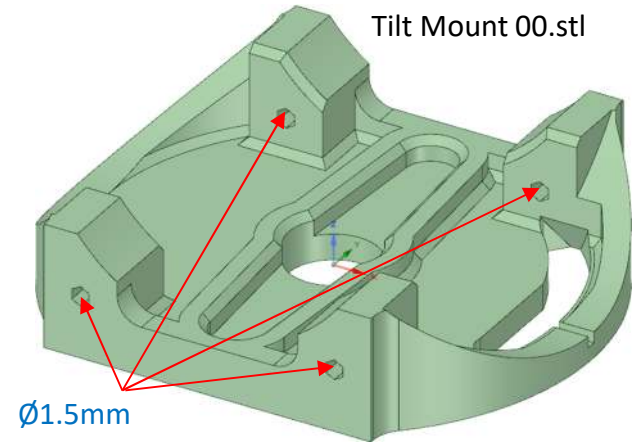
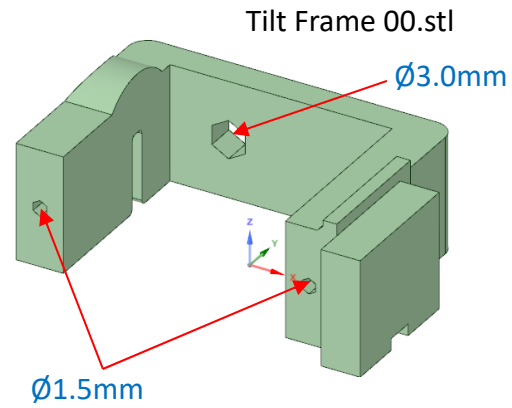


Image are not to scale