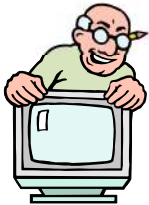
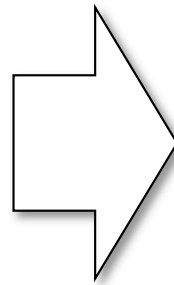
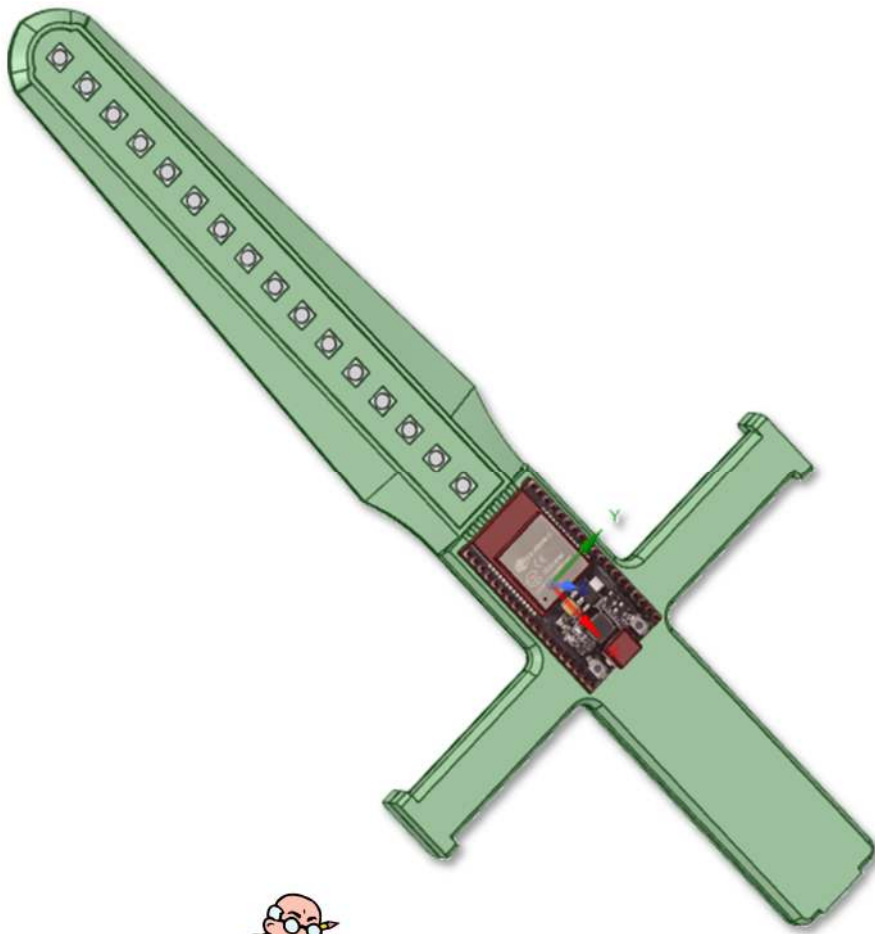


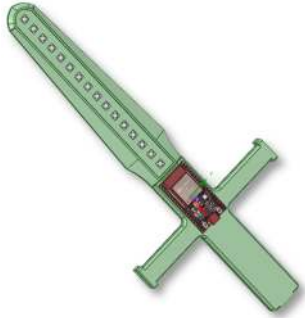
Magical Sword II

3D Parts

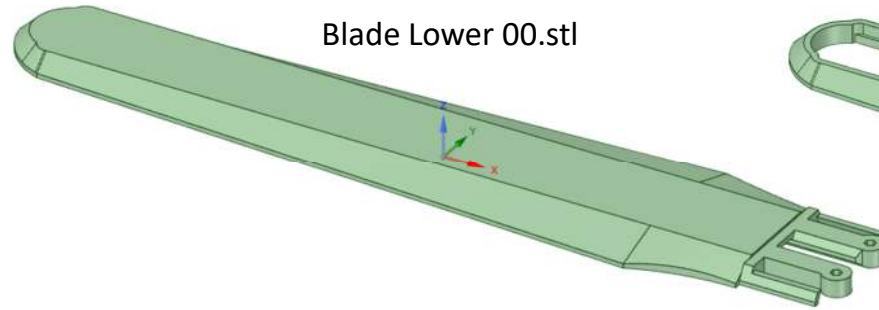


You can download a .zip file containing all of the 3D models for this project.

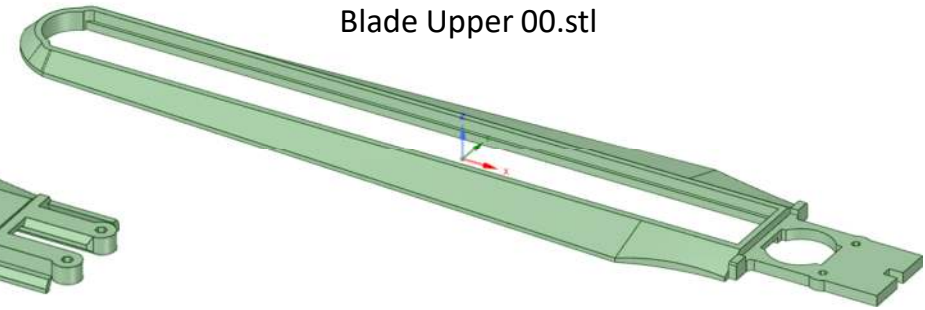
Printed Parts



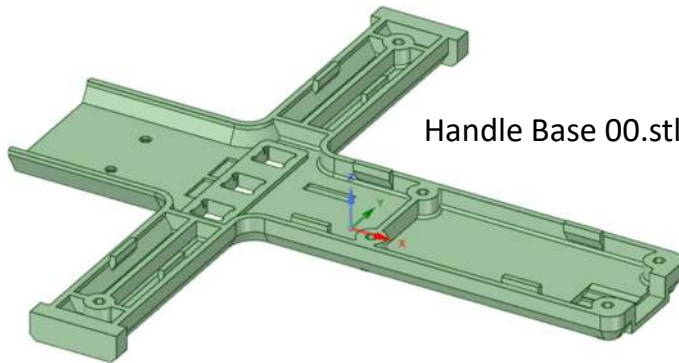
This should help you identify all of the parts needed to build the robot.



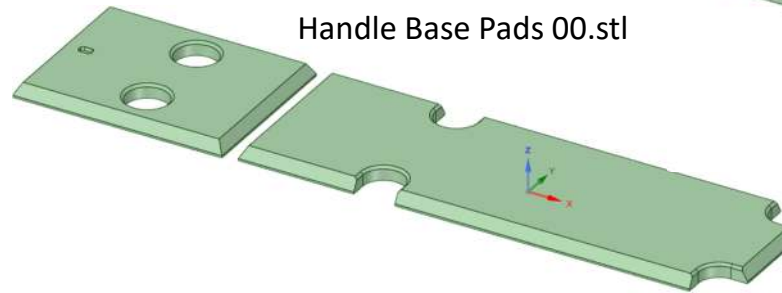
Blade Lower 00.stl



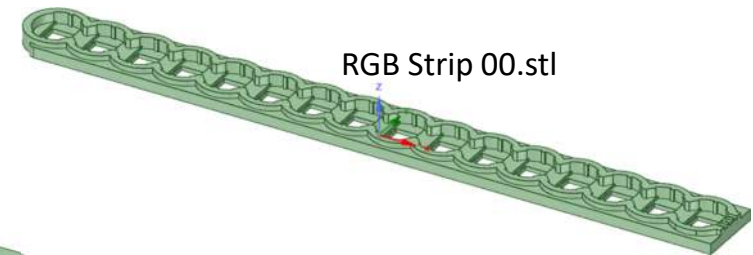
Blade Upper 00.stl



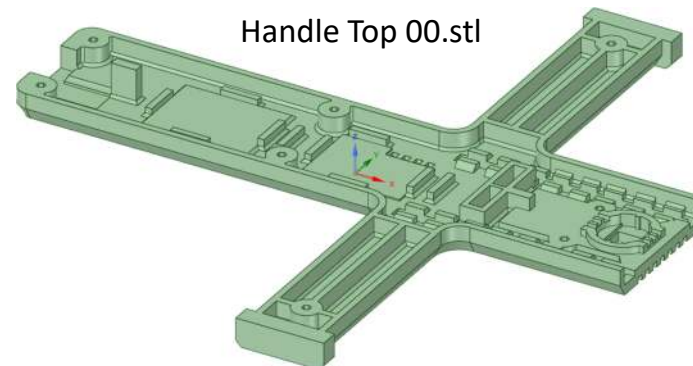
Handle Base 00.stl



Handle Base Pads 00.stl



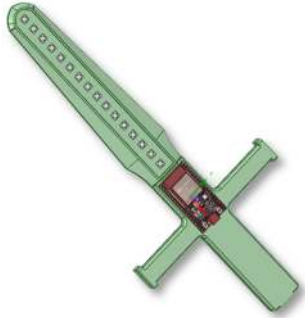
RGB Strip 00.stl



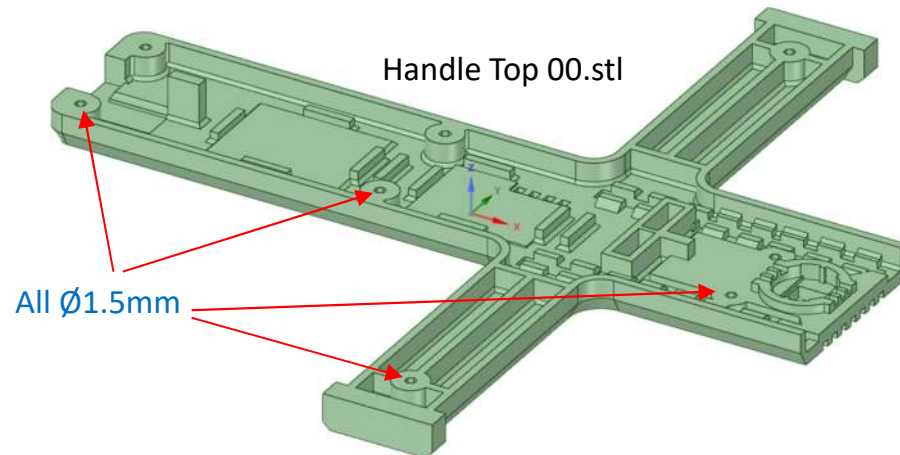
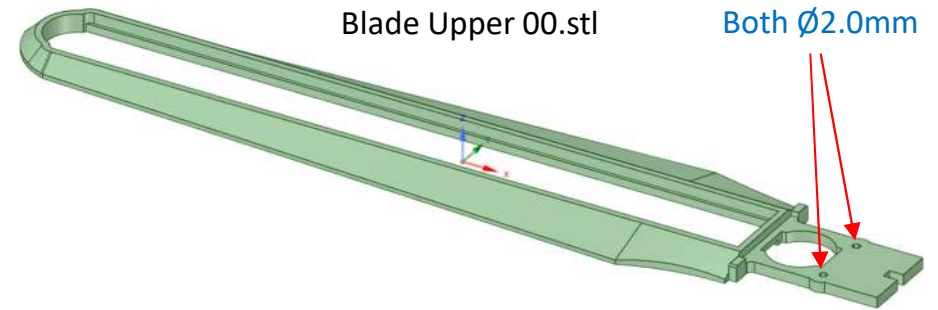
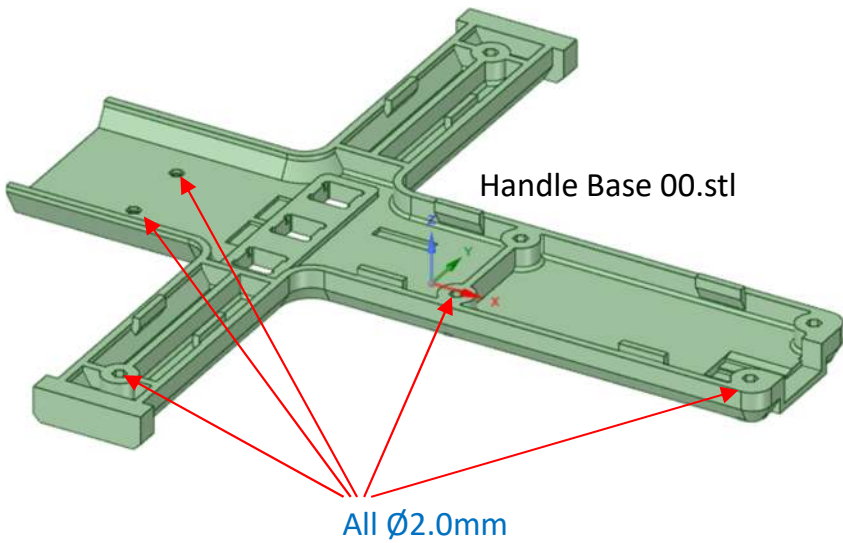
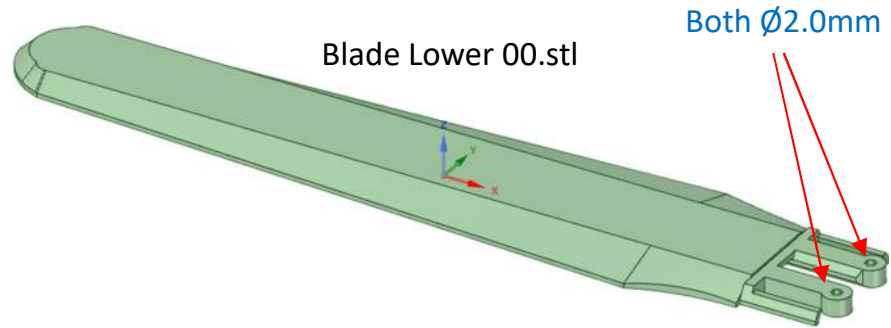
Handle Top 00.stl

Images are not to scale

Printed Parts



This should help you identify all of the pilot drill and clearance hole sizes.



Images are not to scale