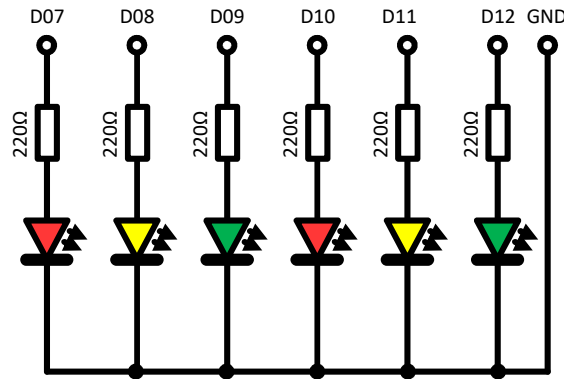


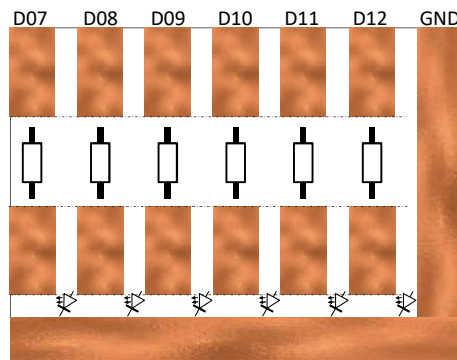
## Circuit Diagram:



## Notes:

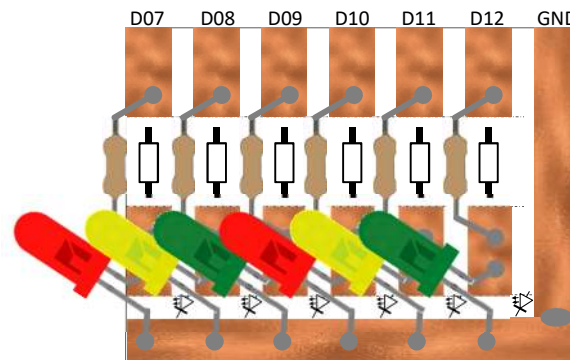
- This circuit has a common GND connection and a series limiting resistor for each of the 6 LEDs. You can use different coloured LEDs, as I have, or make them all the same if that's what you have available. If you want to dim the LEDs using the `analogWrite()` function then you need to connect to the appropriate PWM pins. On the Arduino NANO the PWM pins are D3, D5, D6, D9, D10 and D11.
- Nominal resistor values are 220 ohms for red LEDs, if you want the yellow and green to pass the same current then you will need to use smaller values as their forward voltage is greater than the red.
- If you have access to a 3-D printer you can print the component mounts.

## Card Template:



W = 59.9mm H = 44.3mm

## Card Assembled:



## Photo:

