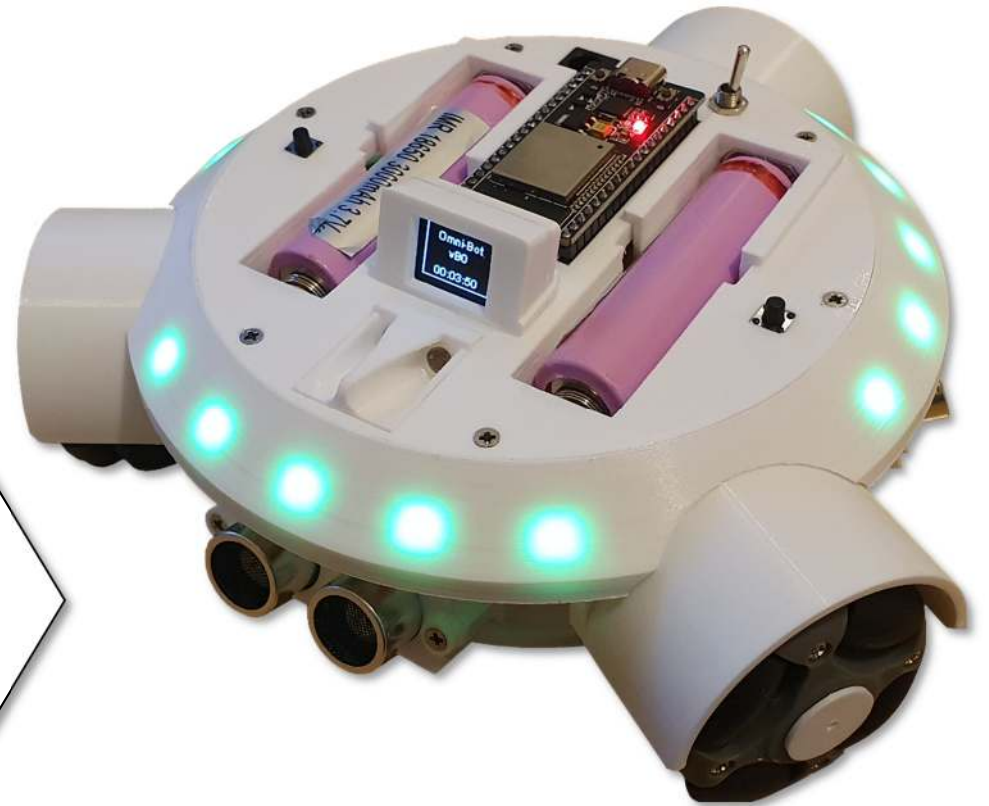
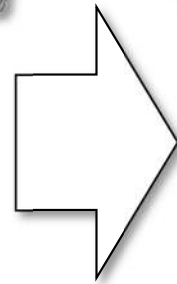
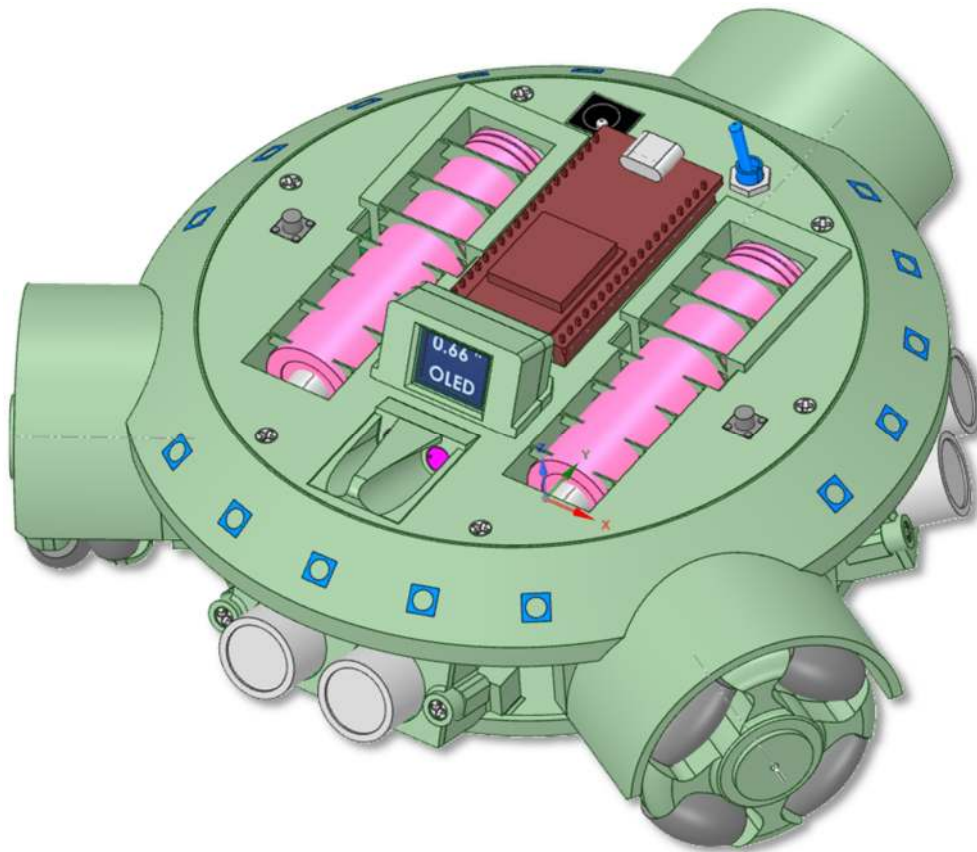


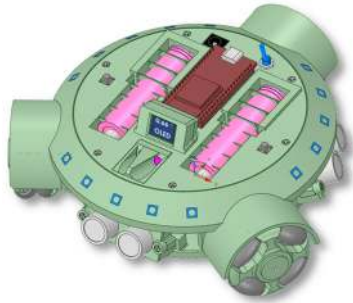
Omni-Bot 3x3

3D Parts



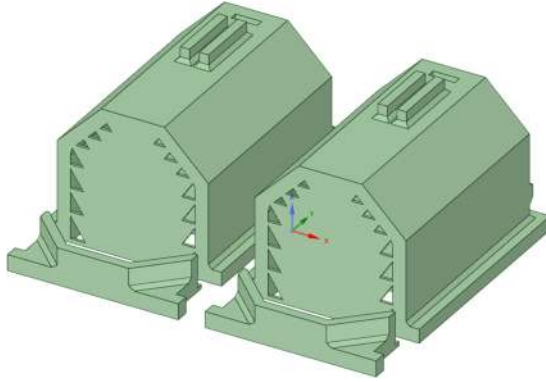
You can download a .zip file containing all of the 3D models for this Omni-Bot.

Printed Parts

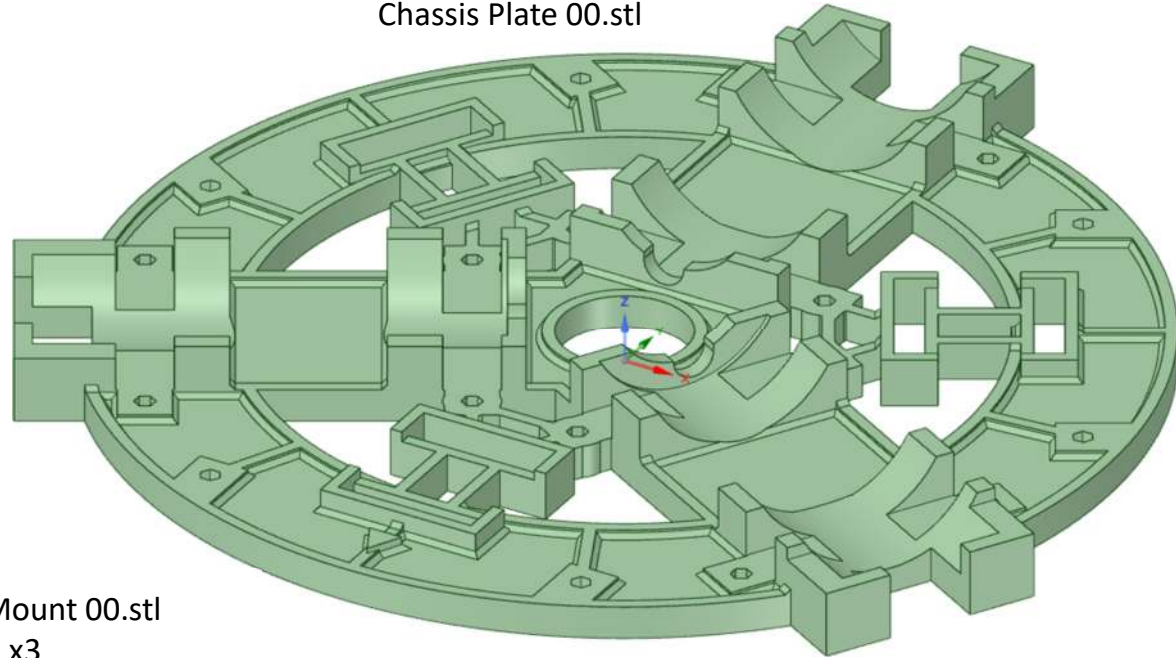


This should help you identify all of the parts needed to build this robot.

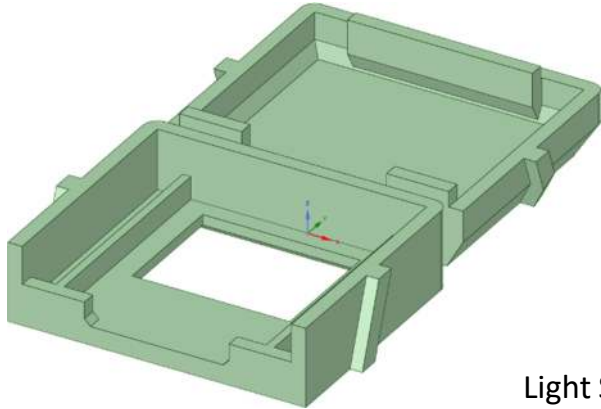
Battery Box Slides 00.stl



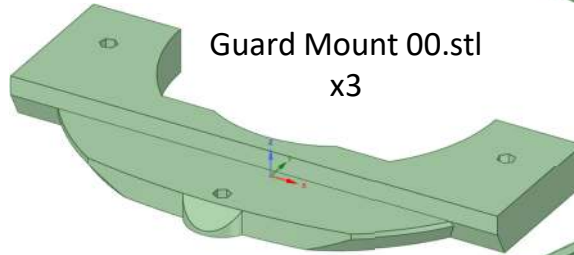
Chassis Plate 00.stl



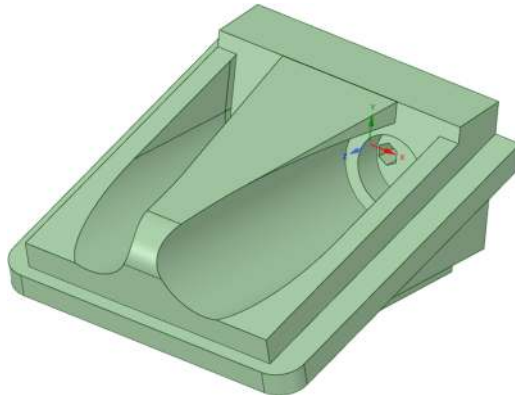
Display Case 00.stl



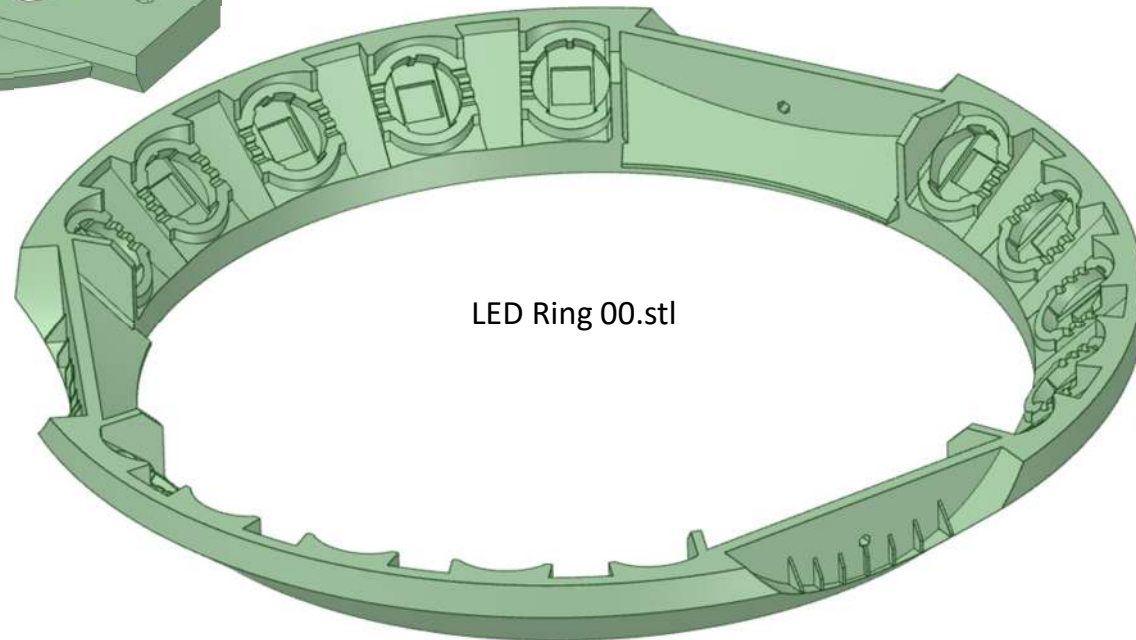
Guard Mount 00.stl
x3



Light Sensor Filter 00.stl

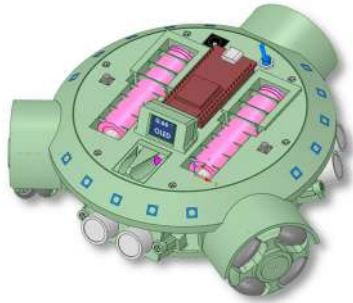


LED Ring 00.stl

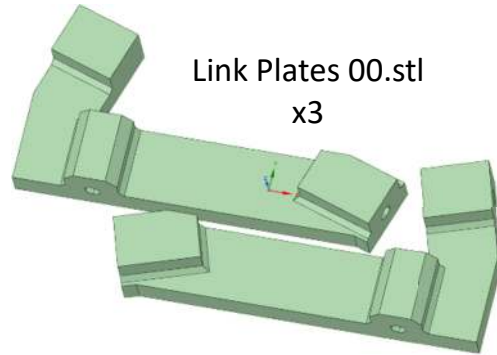


Images are not to scale

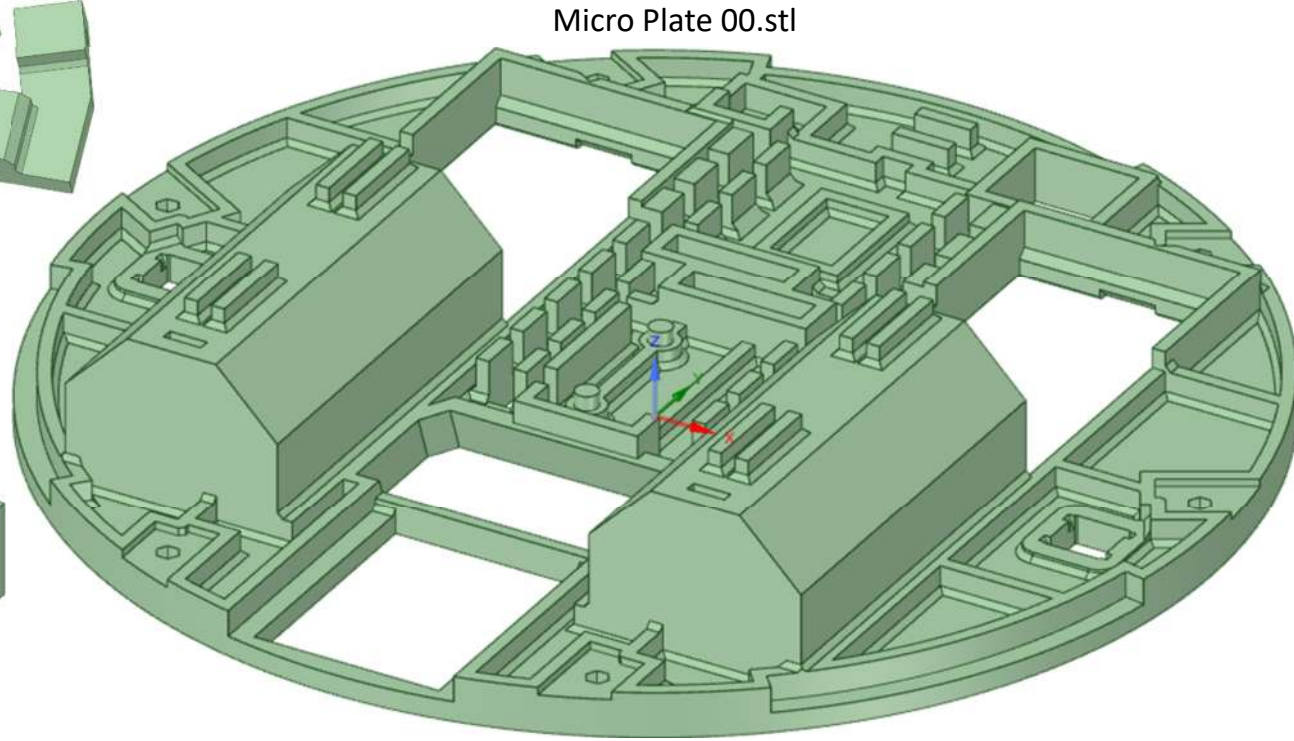
Printed Parts



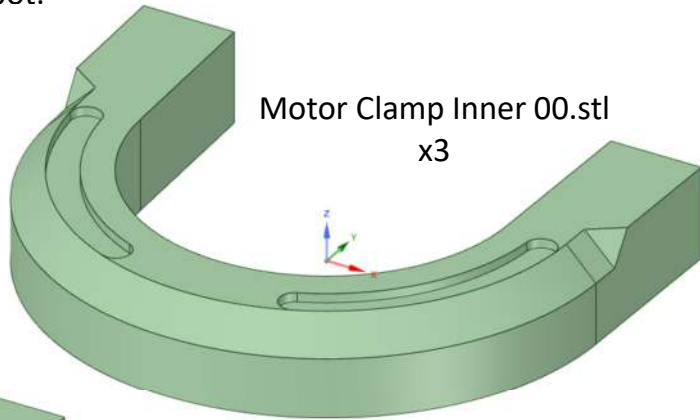
This should help you identify all of the parts needed to build this robot.



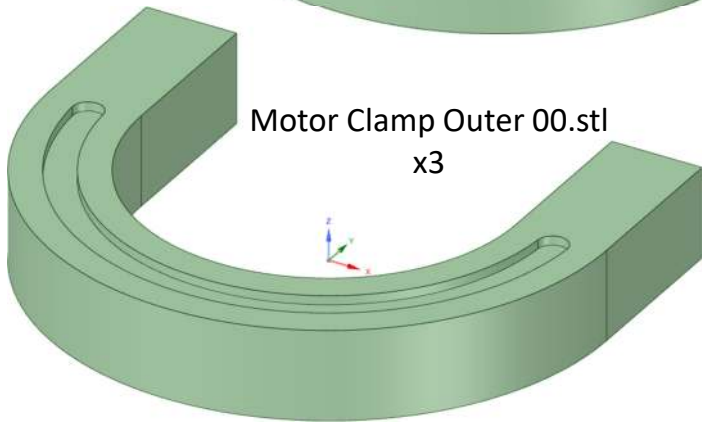
Link Plates 00.stl
x3



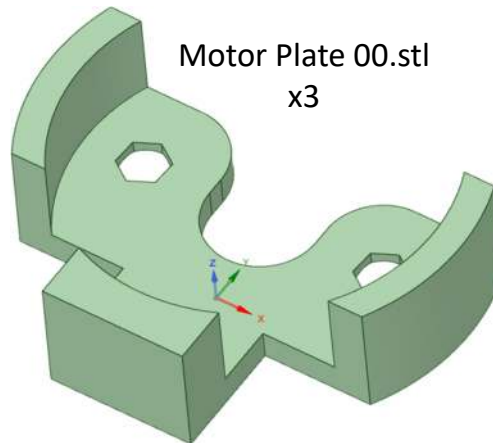
Micro Plate 00.stl



Motor Clamp Inner 00.stl
x3



Motor Clamp Outer 00.stl
x3



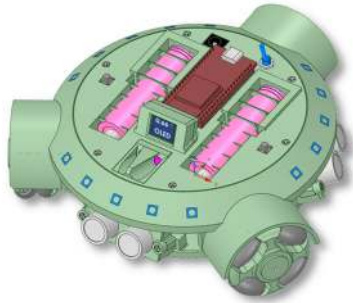
Motor Plate 00.stl
x3



Omni Wheel Hub 00.stl
x3

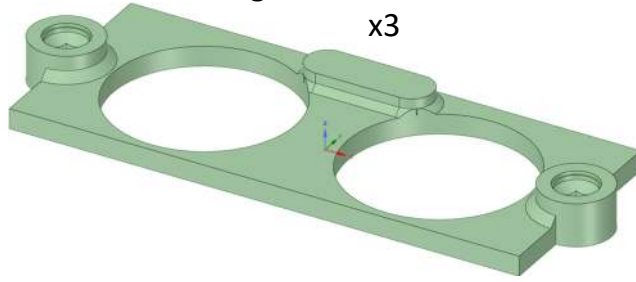
Images are not to scale

Printed Parts

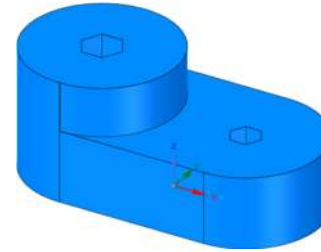


This should help you identify all of the parts needed to build this robot.

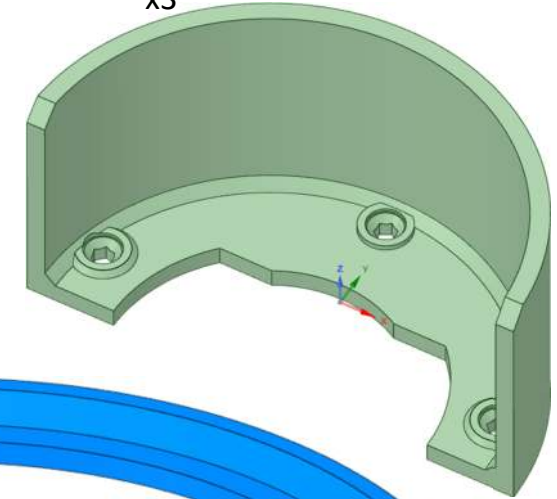
Range Sensor Mount 00.stl
x3



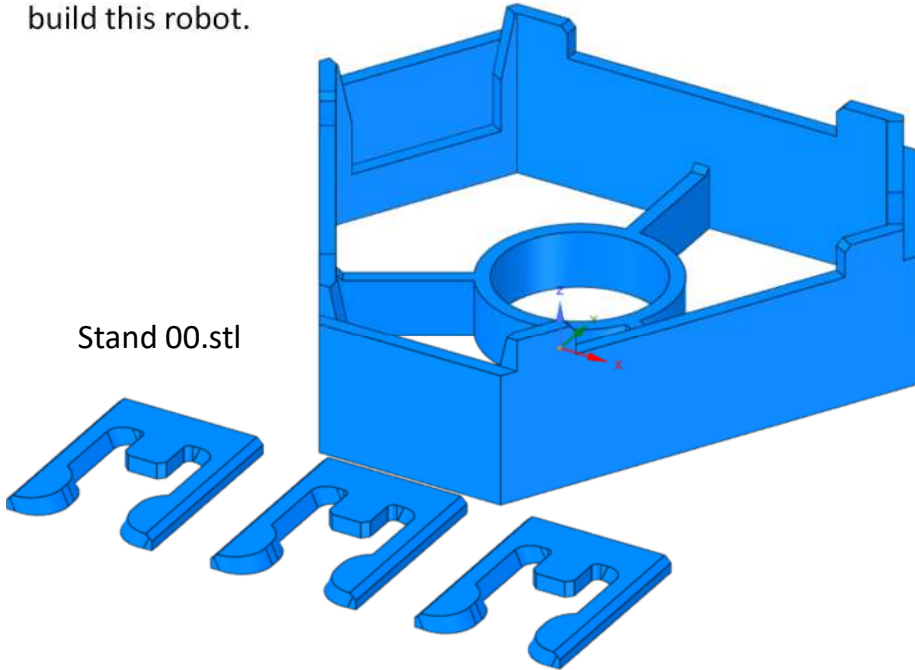
Z – Motor Screw Gauge.stl



Wheel Guard 00.stl
x3



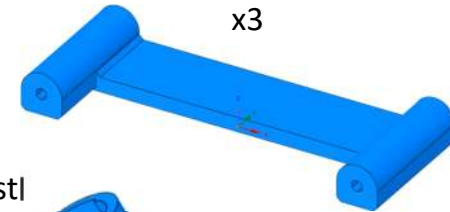
Stand 00.stl



Z – Top Support Ring 01.stl

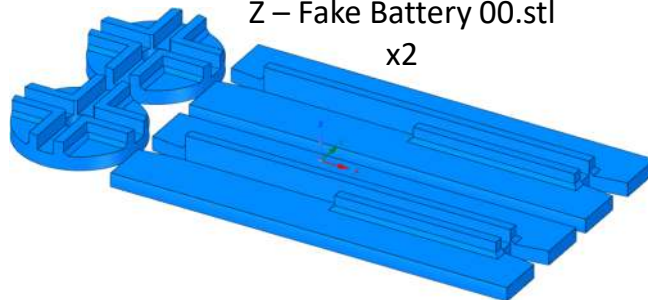


Z – Top Support Stand 01.stl
x3

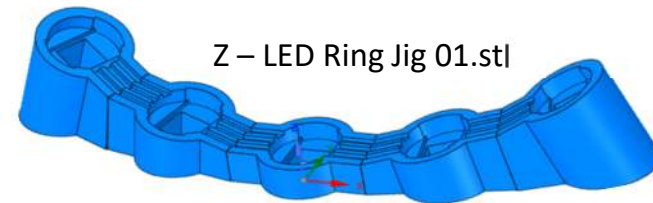


Items in **blue** are aids, and not part of Omni-Bot build.

Z – Fake Battery 00.stl
x2

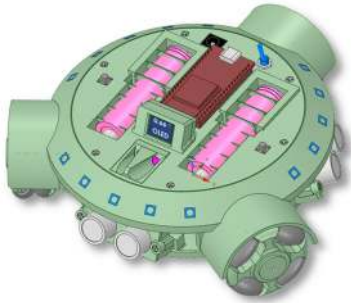


Z – LED Ring Jig 01.stl

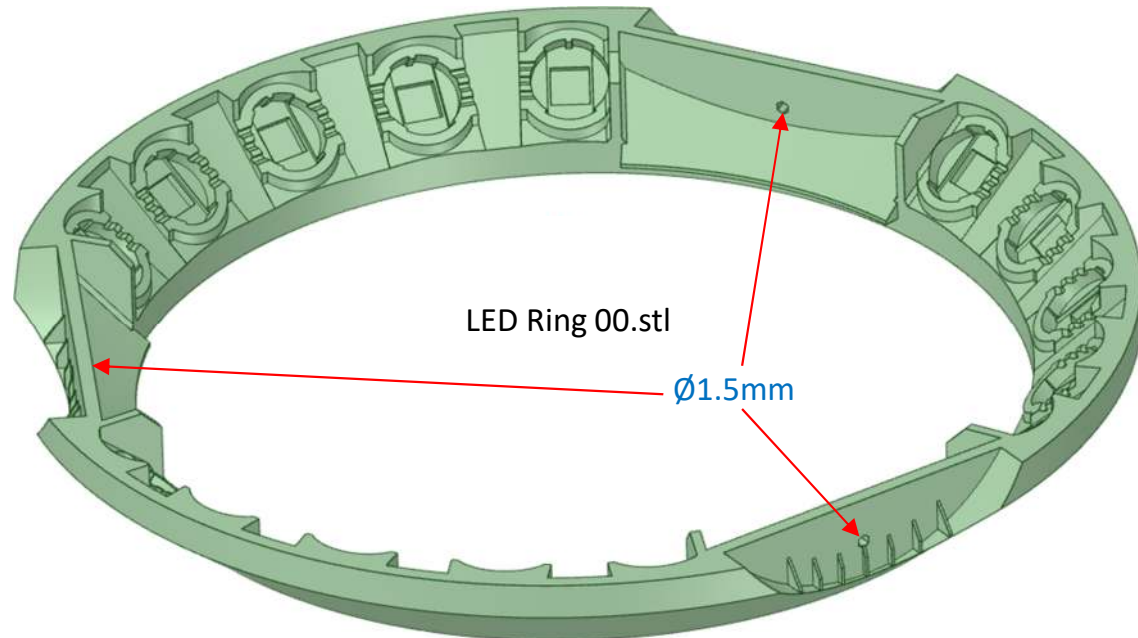
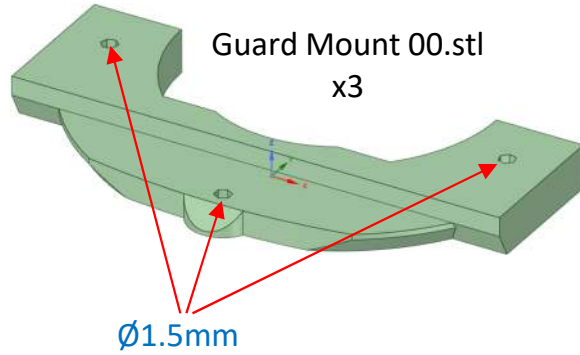
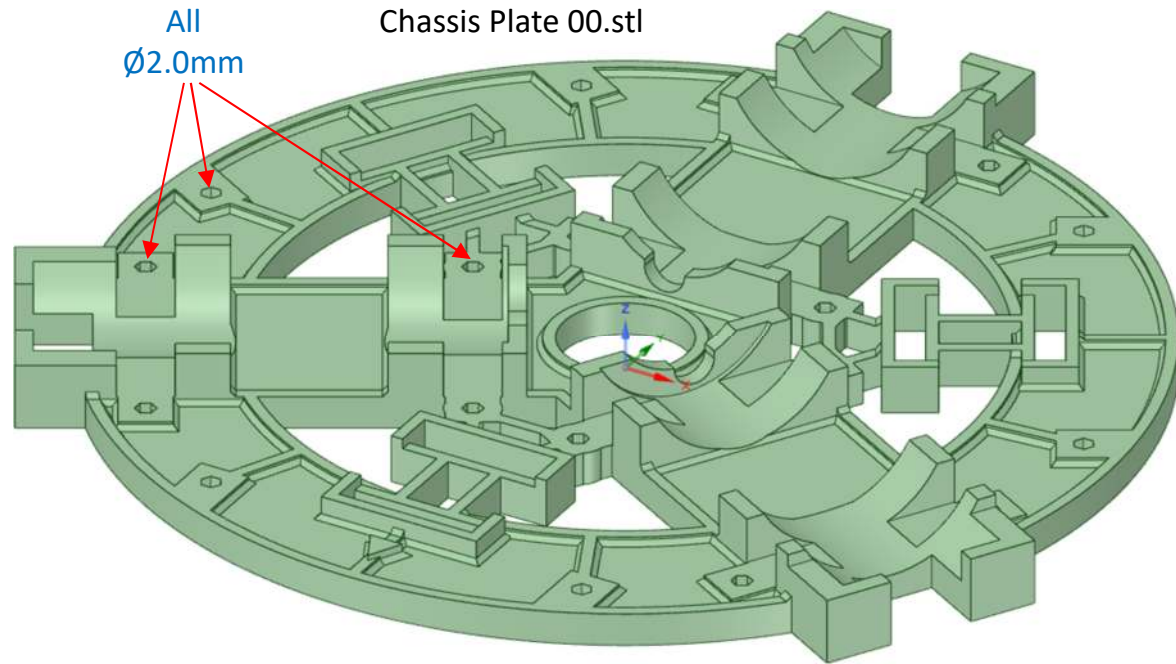


Images are not to scale

Printed Parts

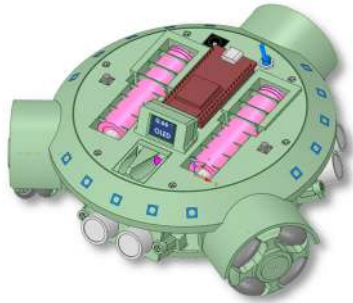


This should help you identify all of the pilot drill and clearance hole sizes.

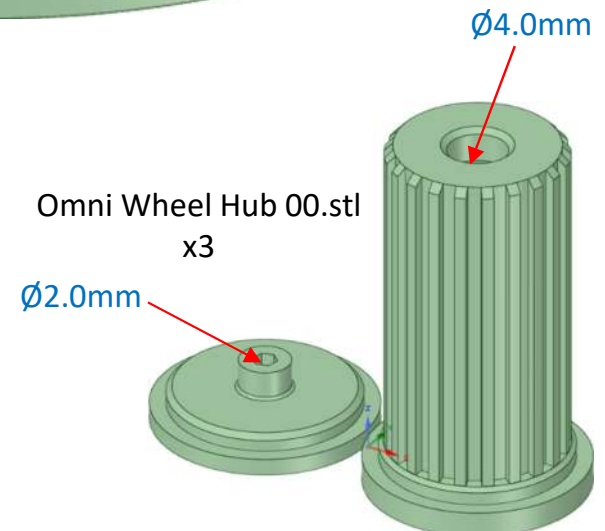
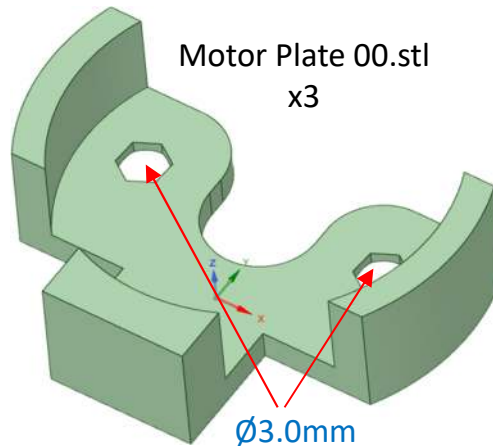
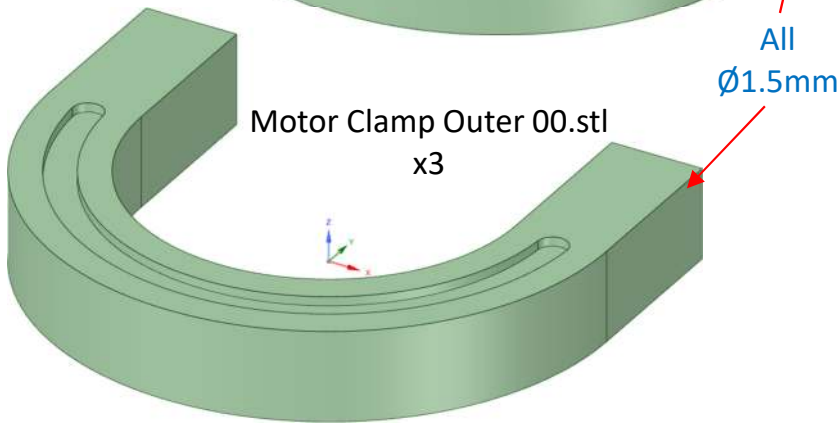
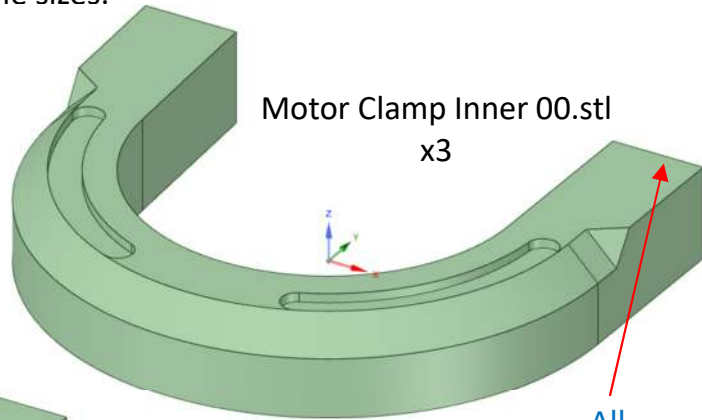
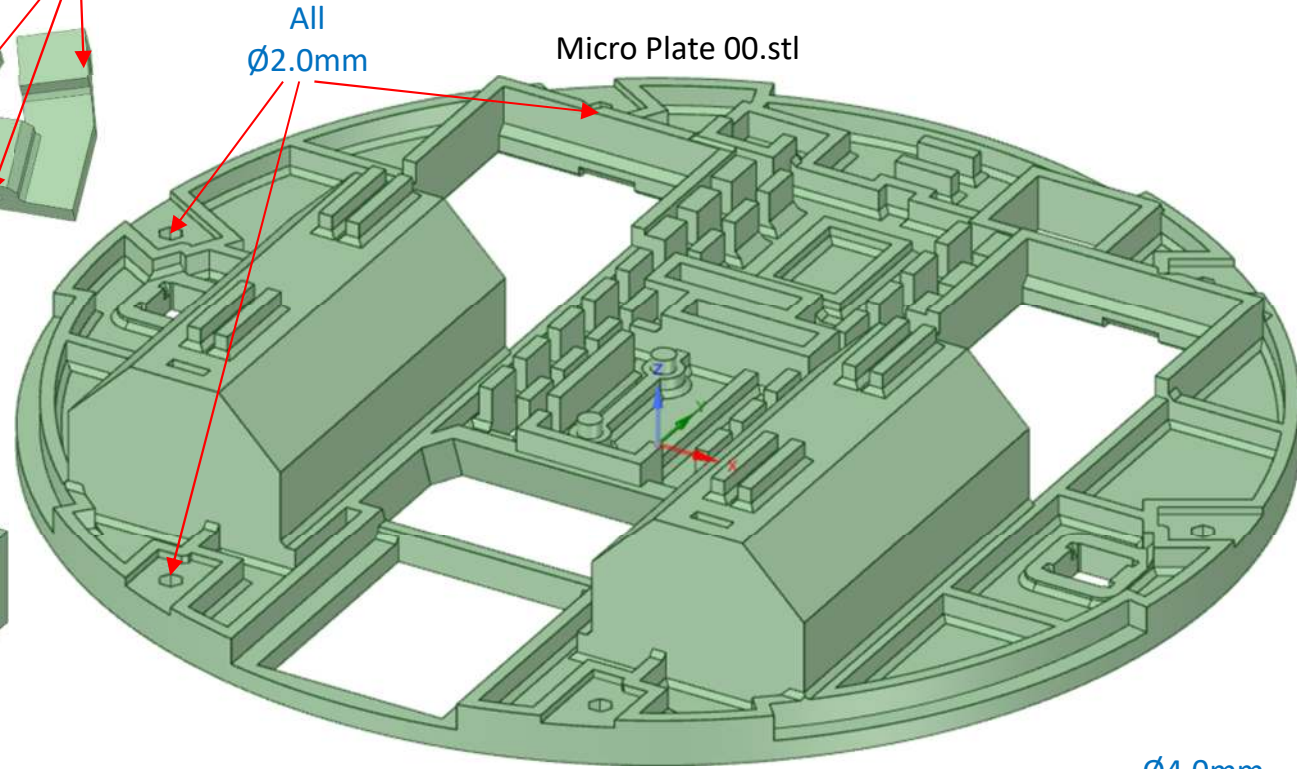
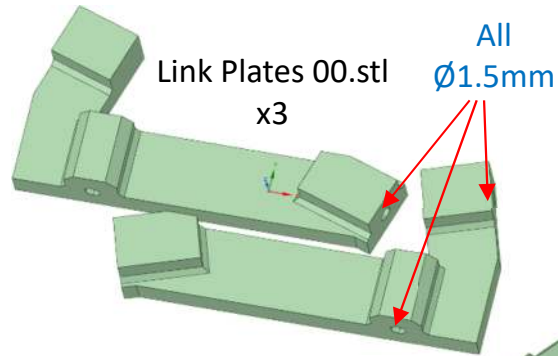


Images are not to scale

Printed Parts

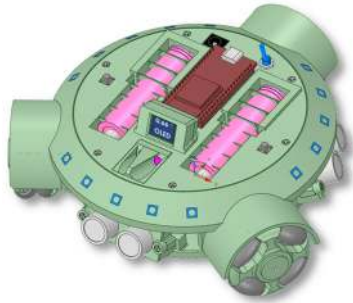


This should help you identify all of the pilot drill and clearance hole sizes.

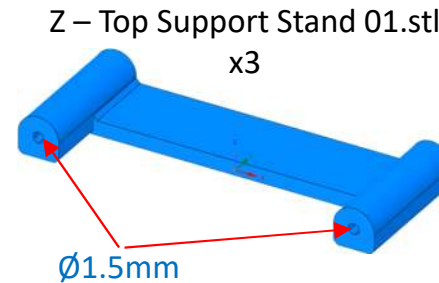
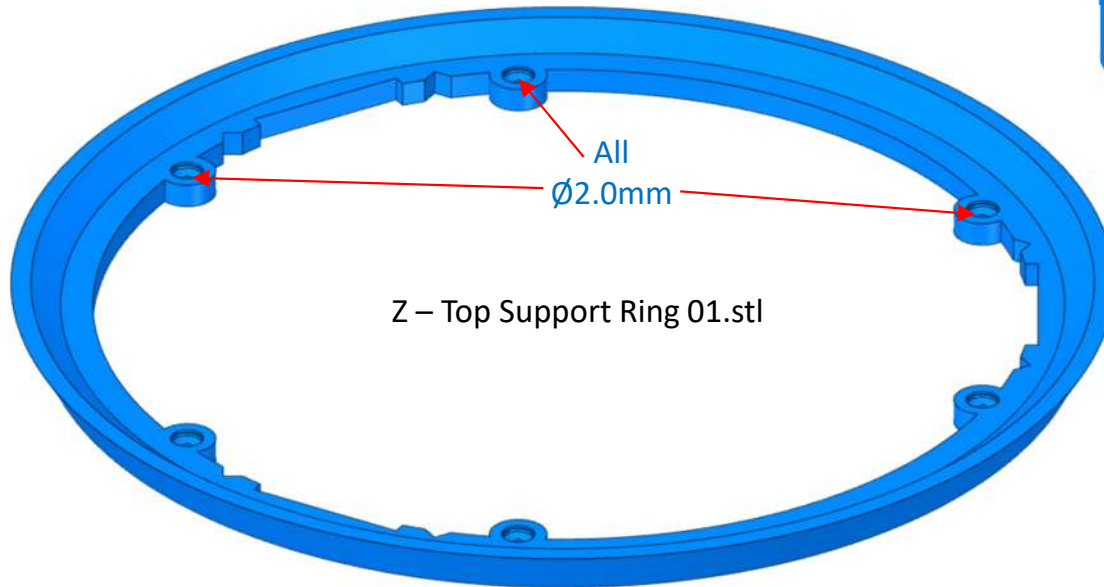
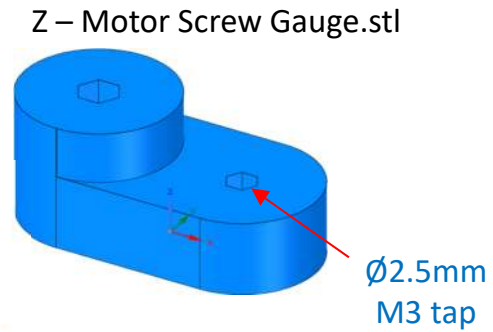
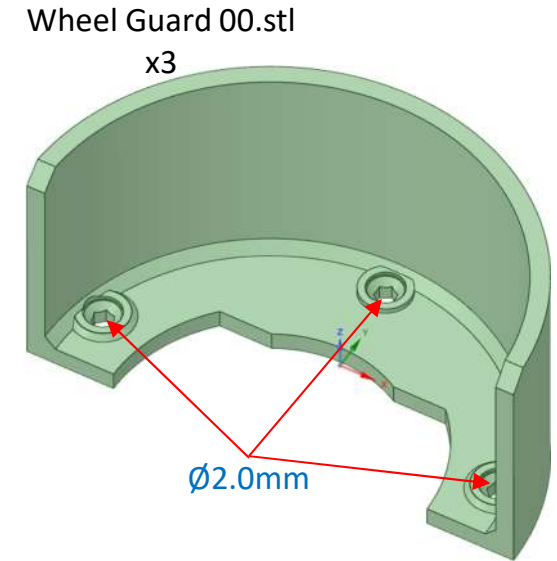
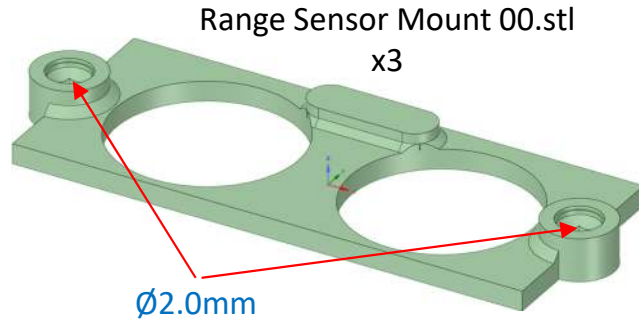


Images are not to scale

Printed Parts



This should help you identify all of the pilot drill and clearance hole sizes.



Items in **blue** are aids, and not part of Omni-Bot build.

Images are not to scale