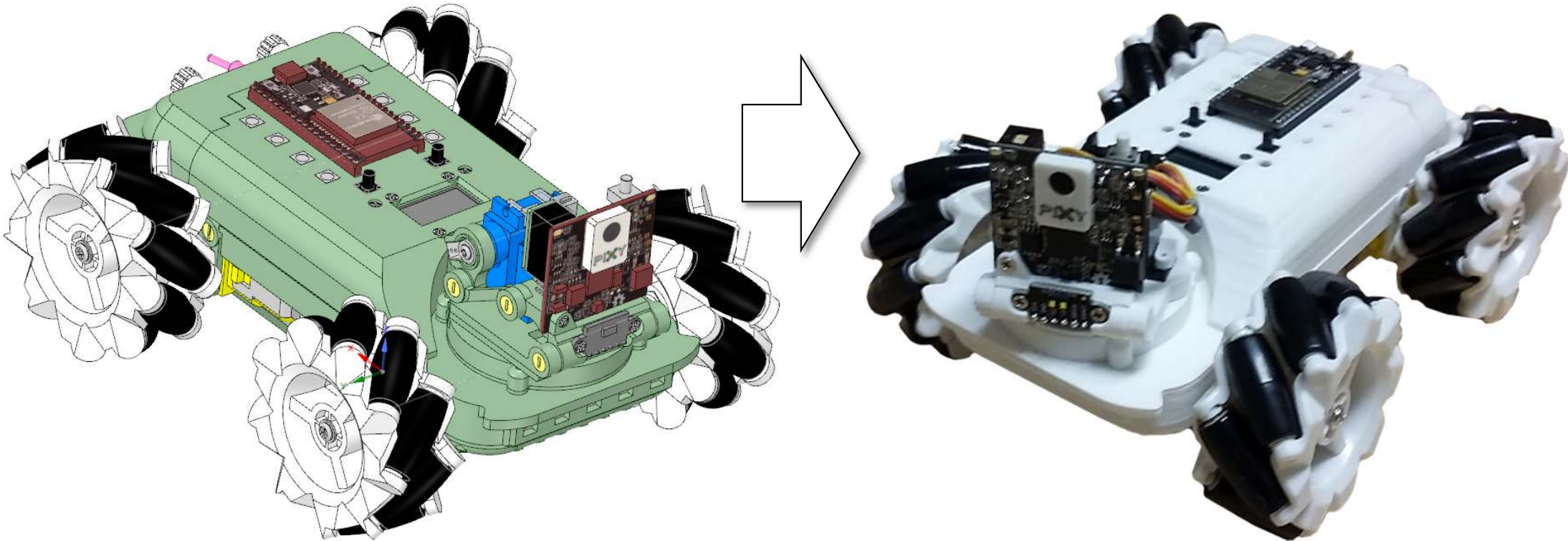
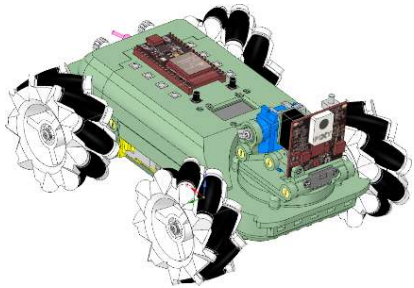


PixyBot 2

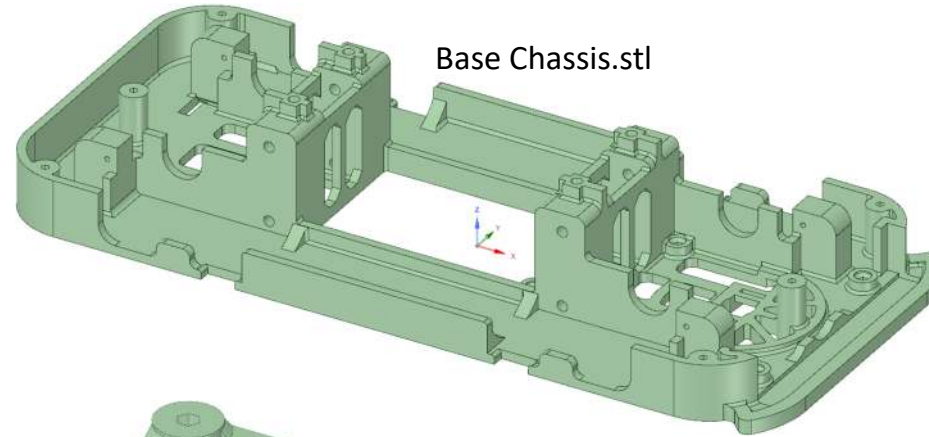
3D Parts



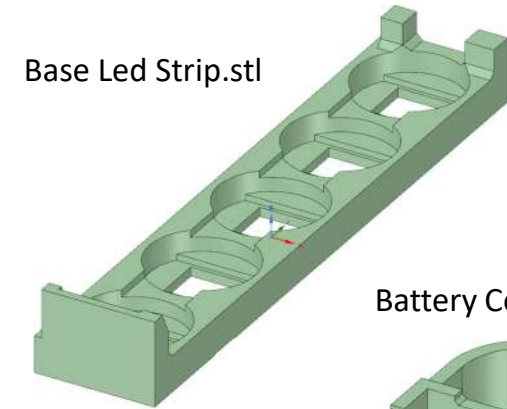
Printed Parts



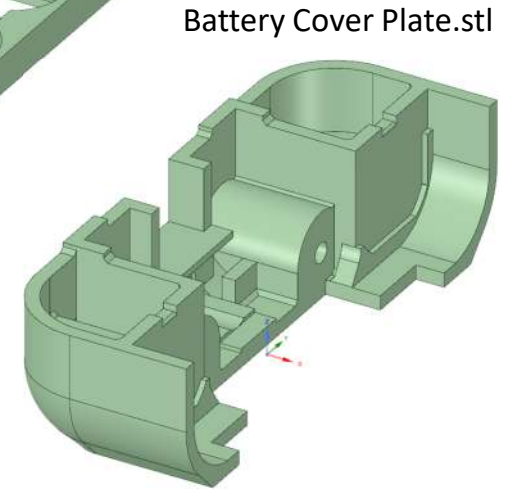
This should help you identify all of the parts needed to build the robot.



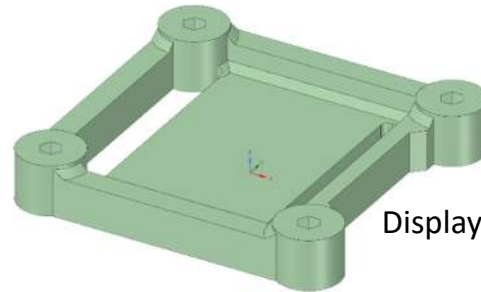
Base Chassis.stl



Base Led Strip.stl

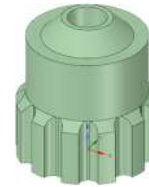


Battery Cover Plate.stl



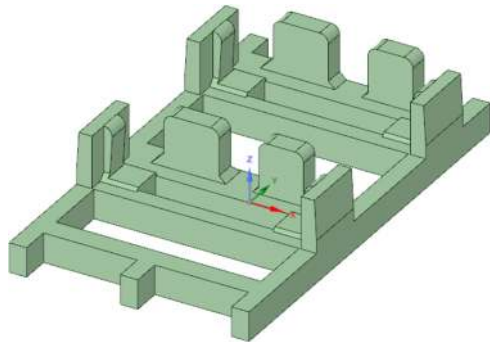
Display Strap.stl

Hand Nut Small.stl



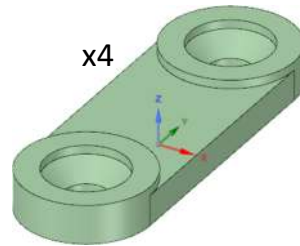
x2

H-bridge Mount.stl

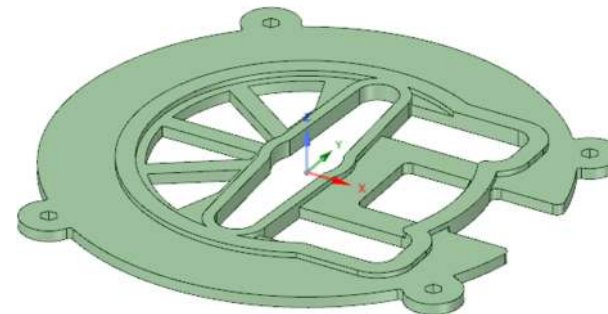


Motor Strap.stl

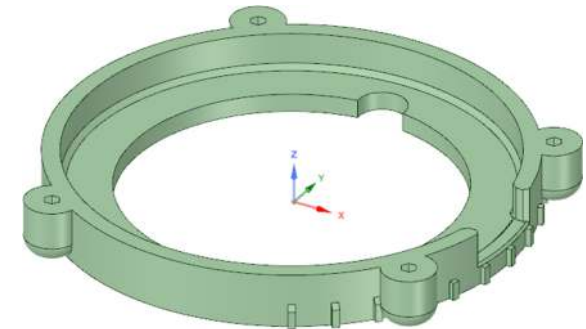
x4



Pixy Drive Plate.stl

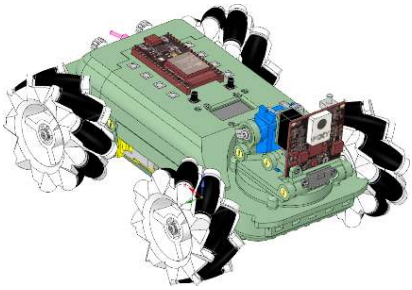


Neck Ring.stl



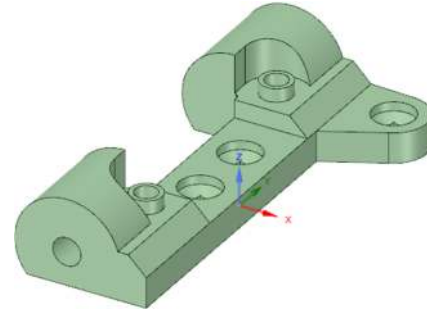
Images are not to scale

Printed Parts

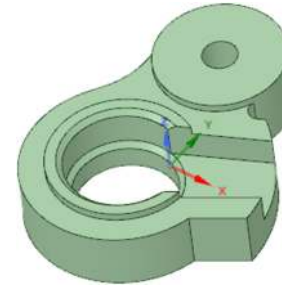


This should help you identify all of the parts needed to build the robot.

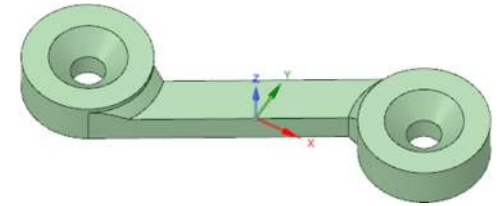
Pixy Laser Mount.stl



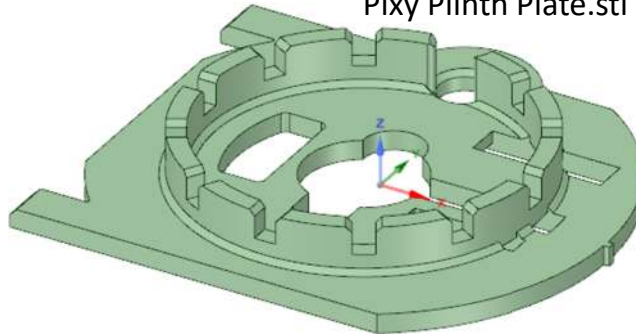
Pixy Link Lever.stl



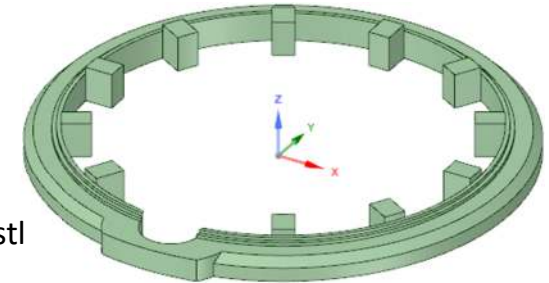
Pixy Link.stl



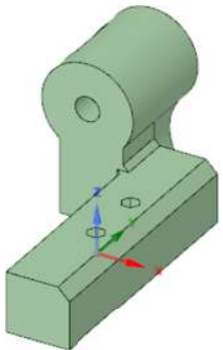
Pixy Plinth Plate.stl



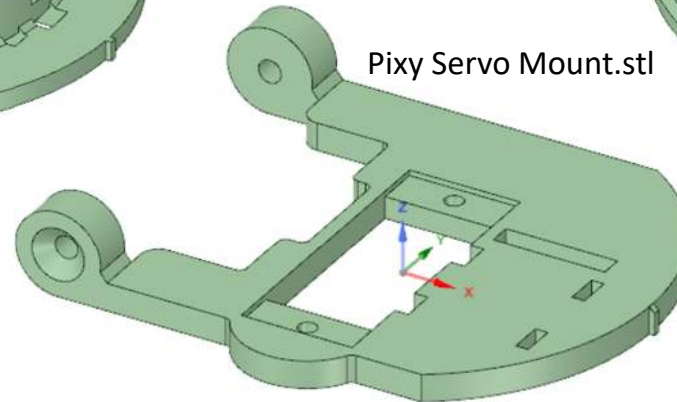
Pixy Plinth Ring.stl



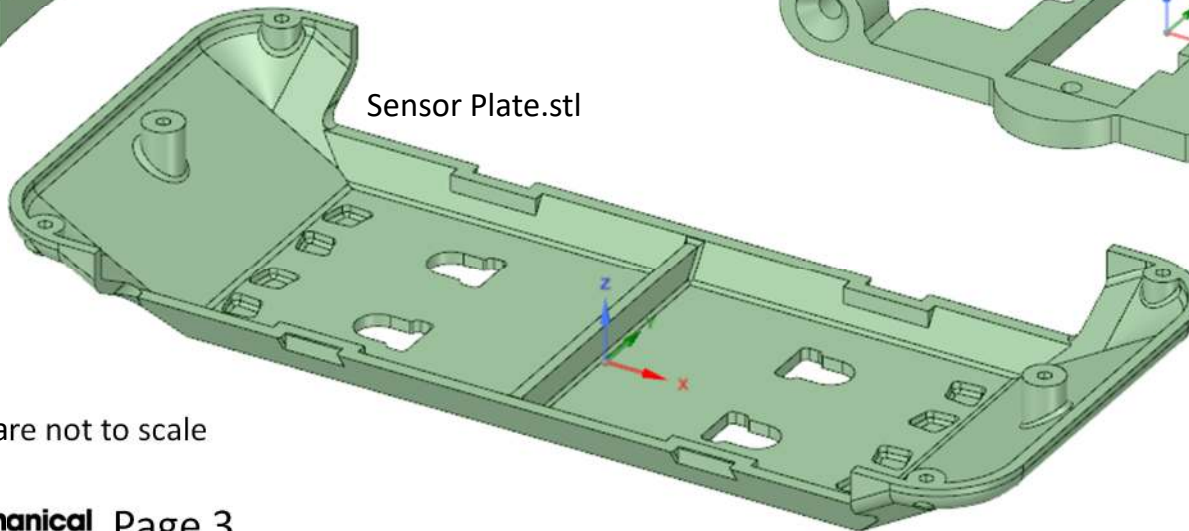
Pixy Pivot.stl



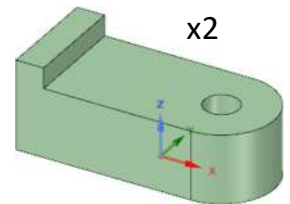
Pixy Servo Mount.stl



Sensor Plate.stl

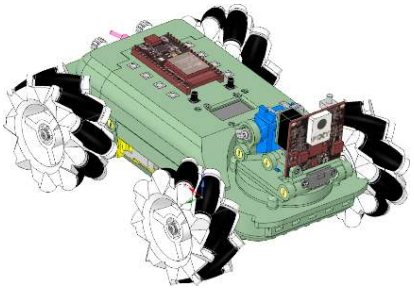


Pixy Servo Clamp.stl

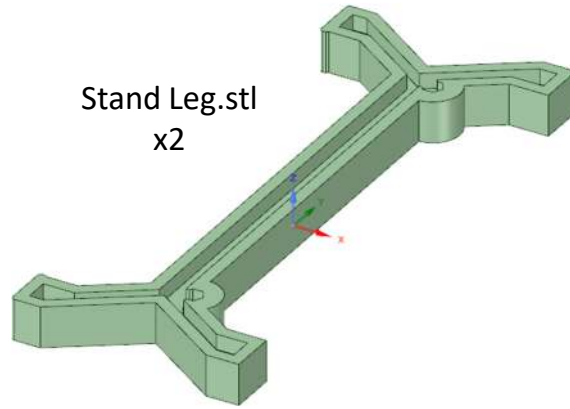


Images are not to scale

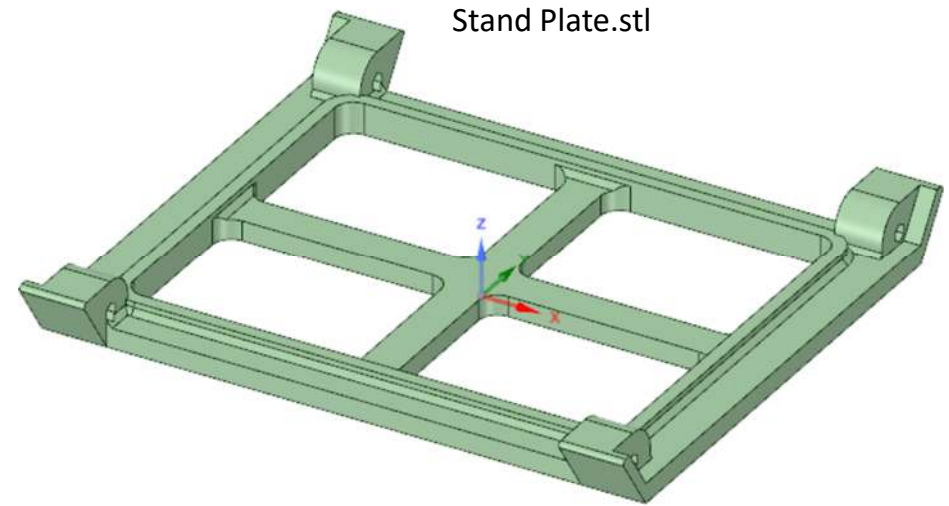
Printed Parts



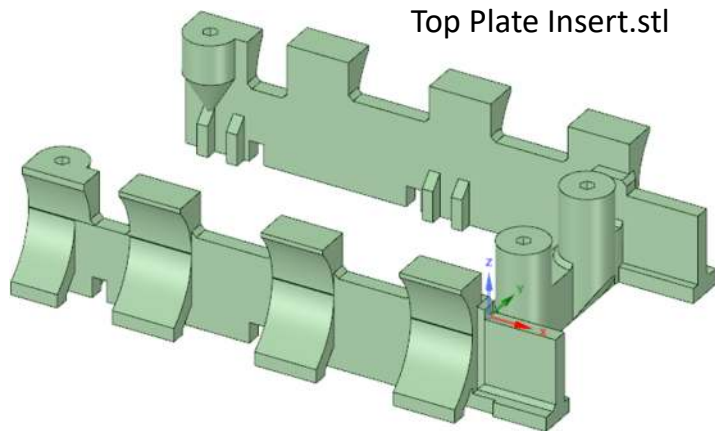
This should help you identify all of the parts needed to build the robot.



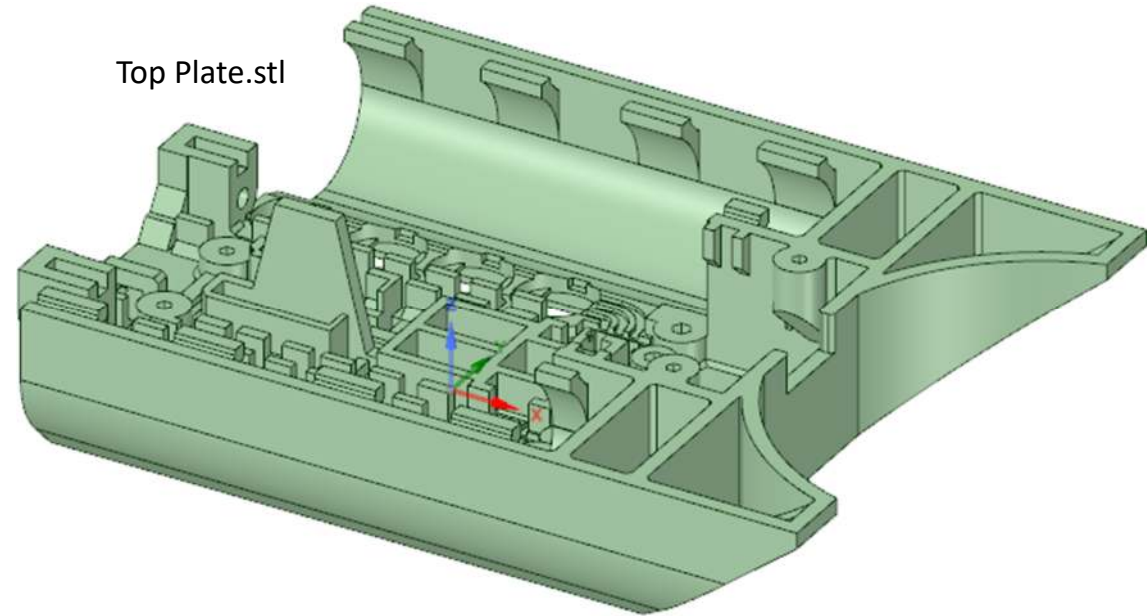
Stand Leg.stl
x2



Stand Plate.stl



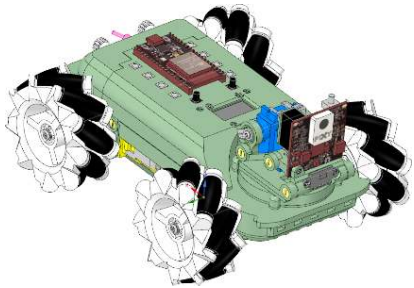
Top Plate Insert.stl



Top Plate.stl

Images are not to scale

Drill Sizes



This should help you identify all of the pilot drill and clearance hole sizes.

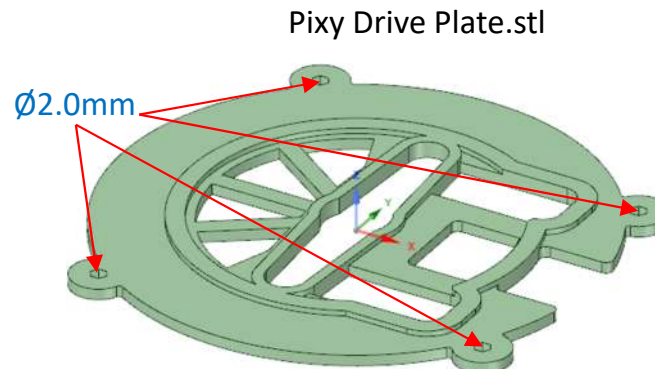
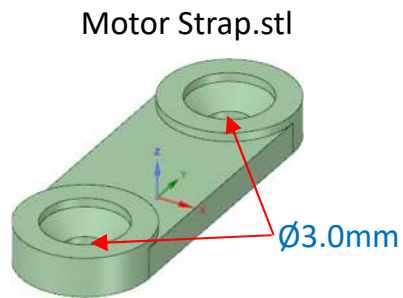
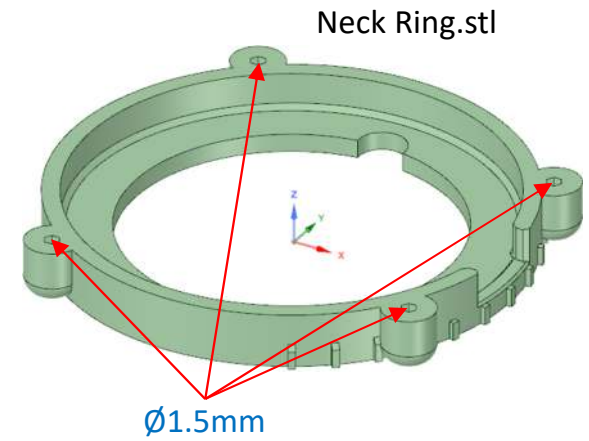
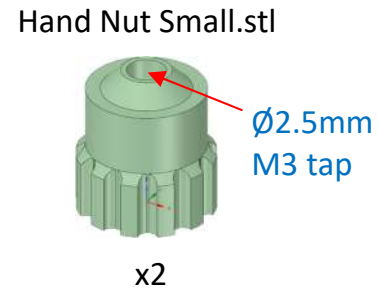
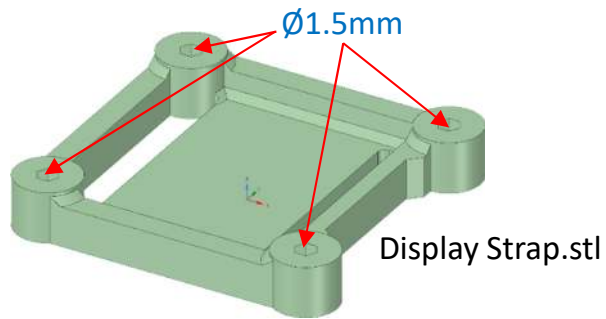
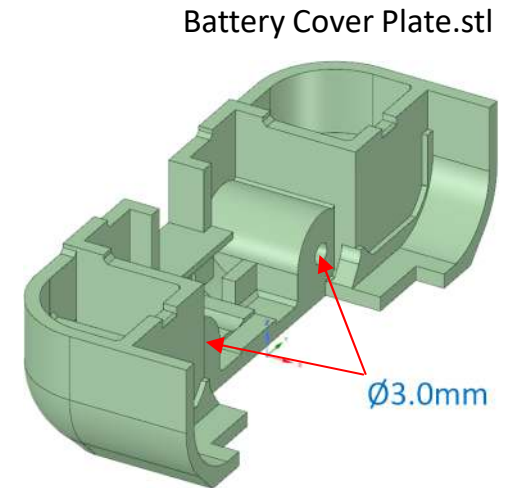
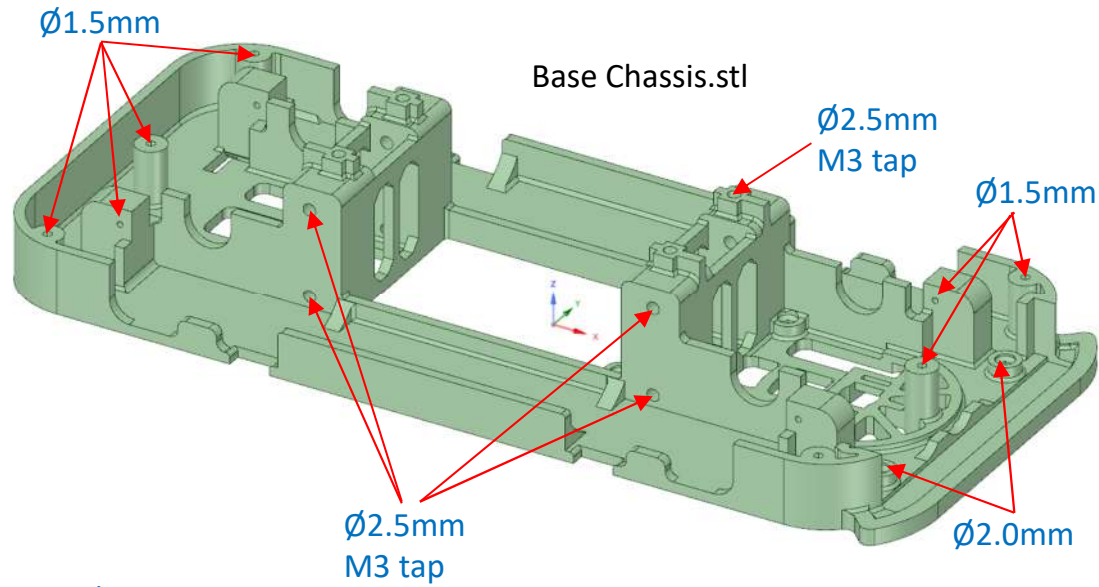
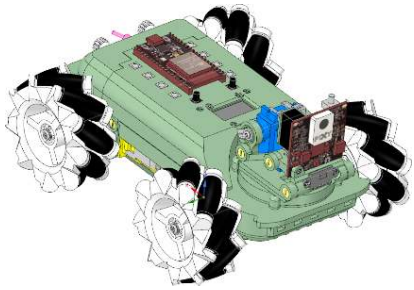


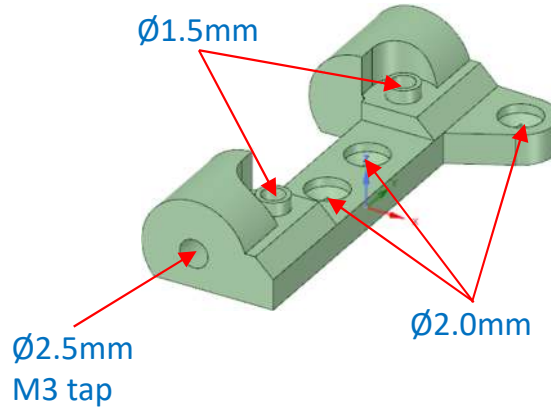
Image are not to scale

Drill Sizes

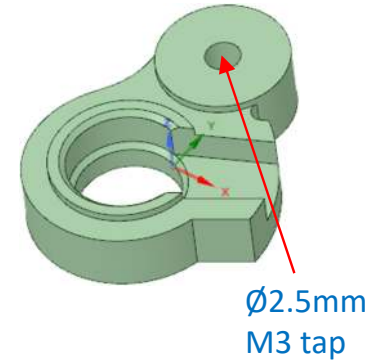


This should help you identify all of the pilot drill and clearance hole sizes.

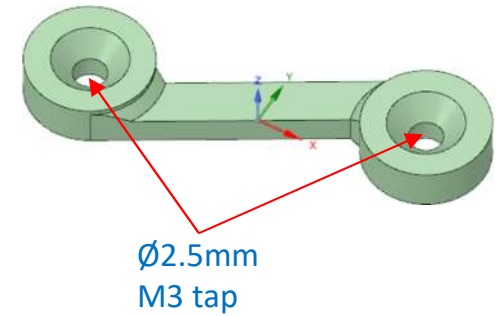
Pixy Laser Mount.stl



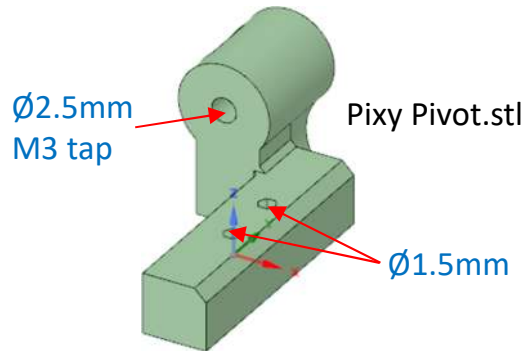
Pixy Link Lever.stl



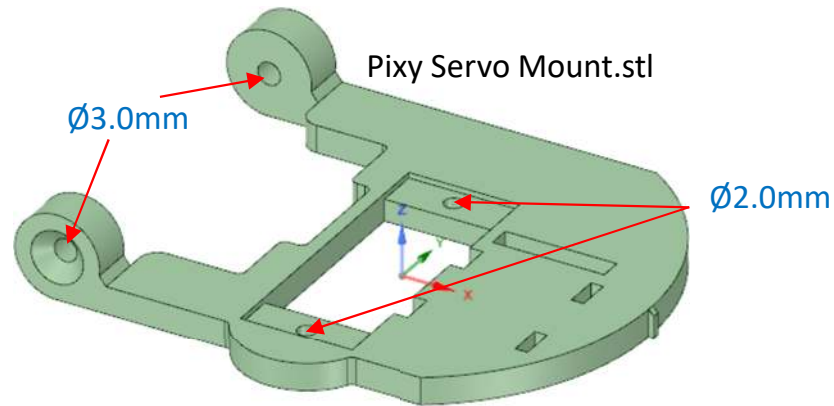
Pixy Link.stl



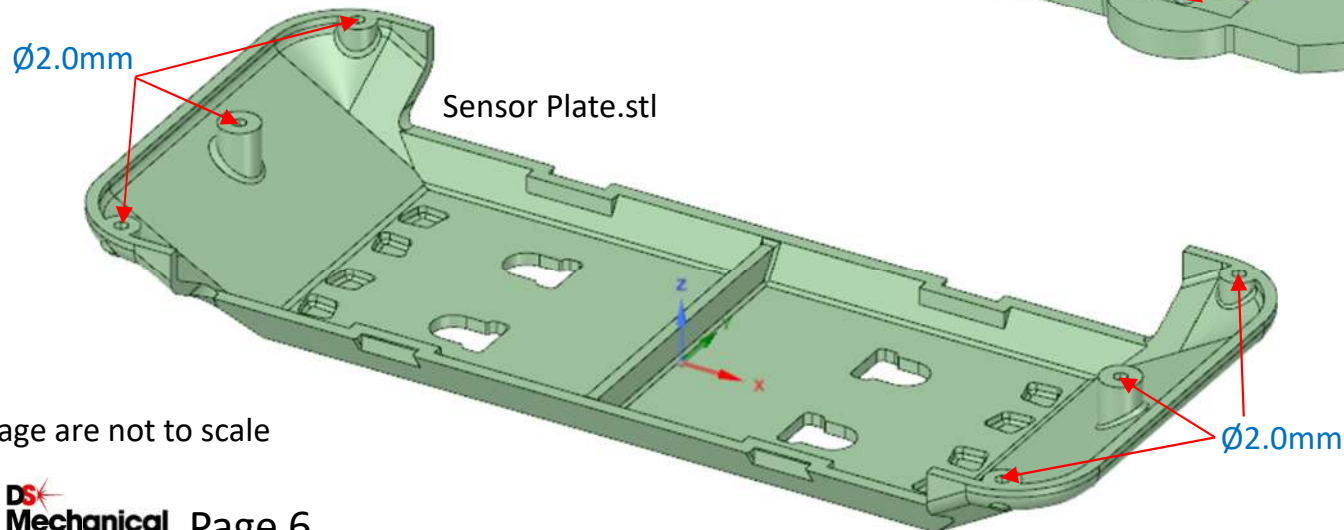
Pixy Pivot.stl



Pixy Servo Mount.stl



Sensor Plate.stl



Pixy Servo Clamp.stl

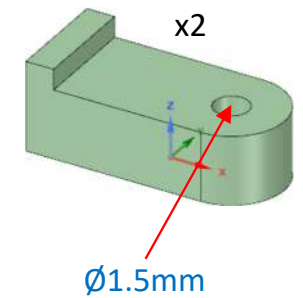
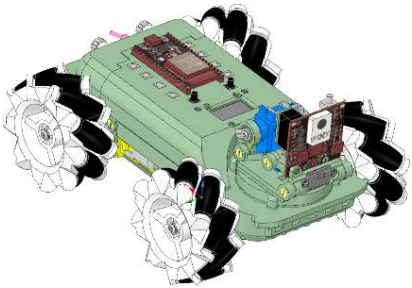


Image are not to scale

Drill Sizes



This should help you identify all of the pilot drill and clearance hole sizes.

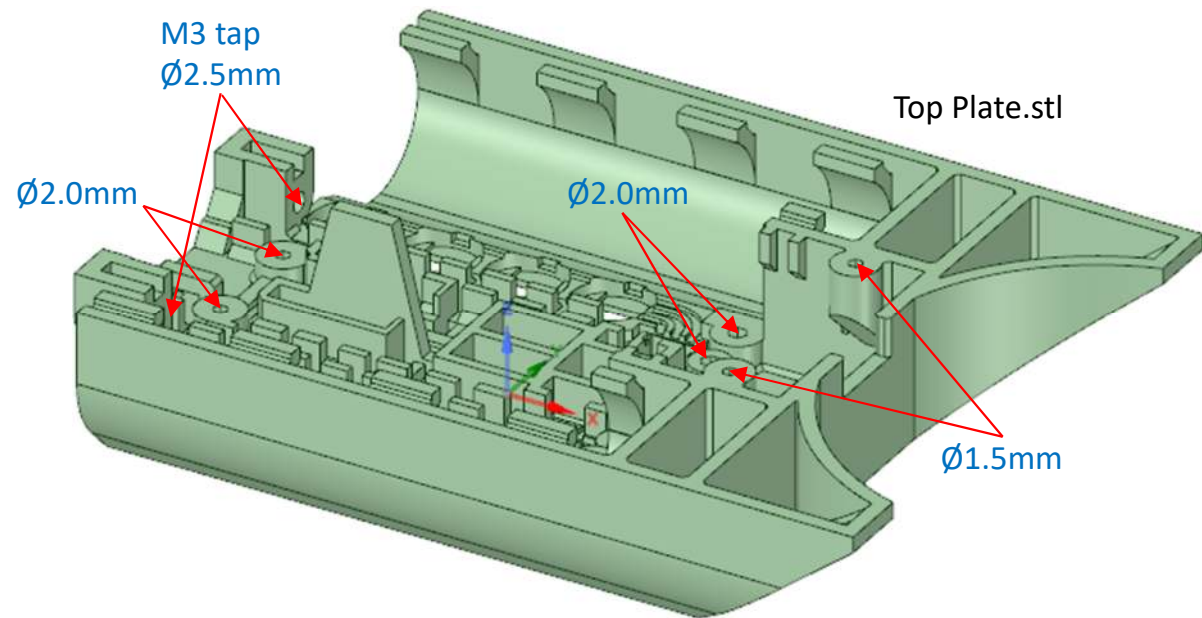
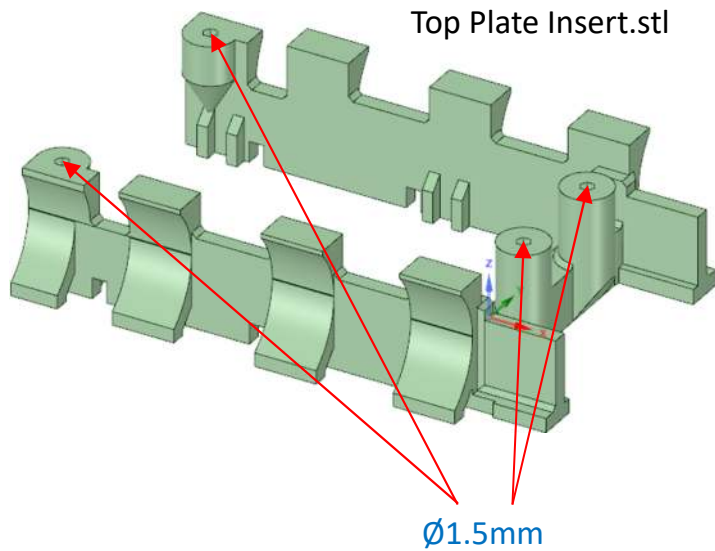
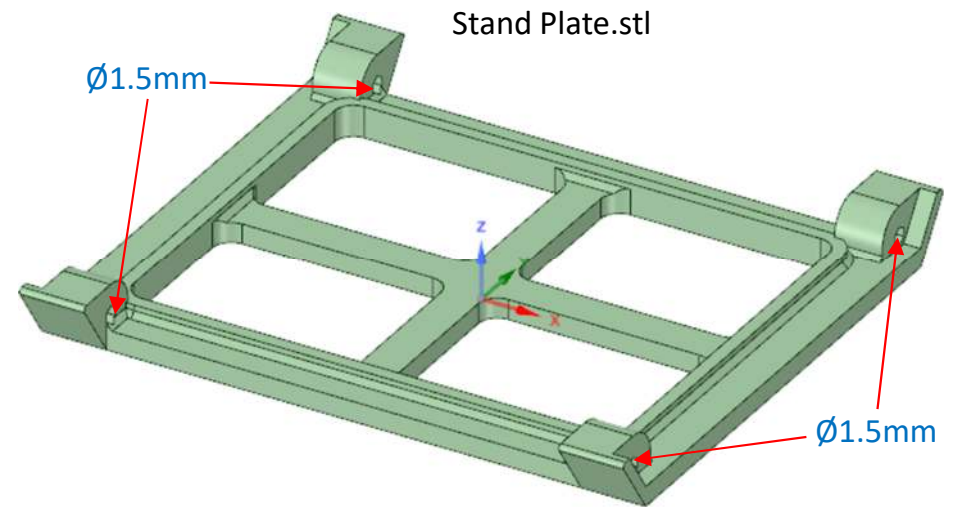
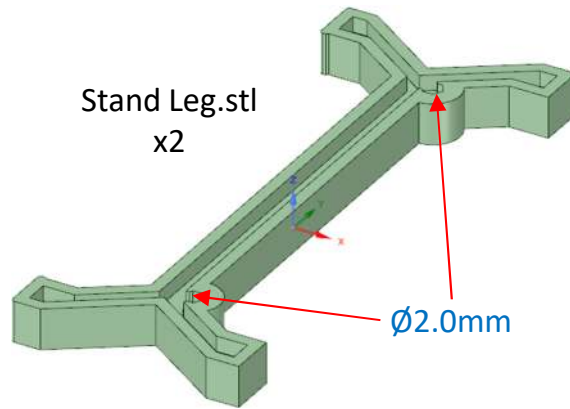


Image are not to scale