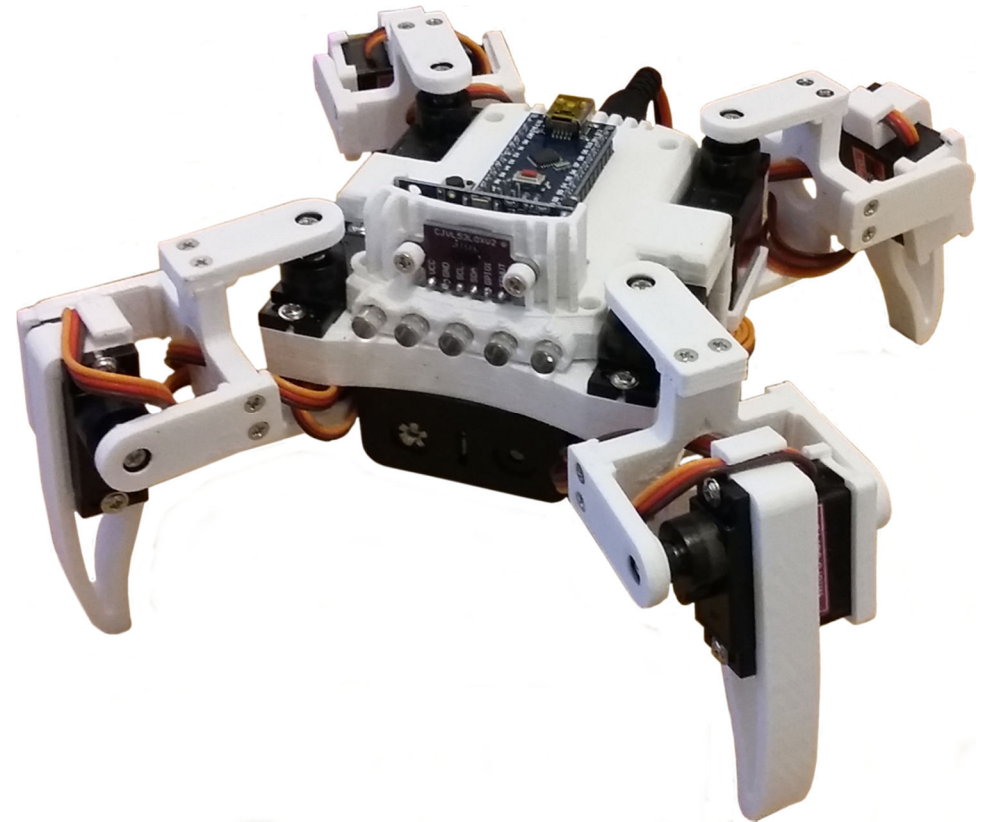
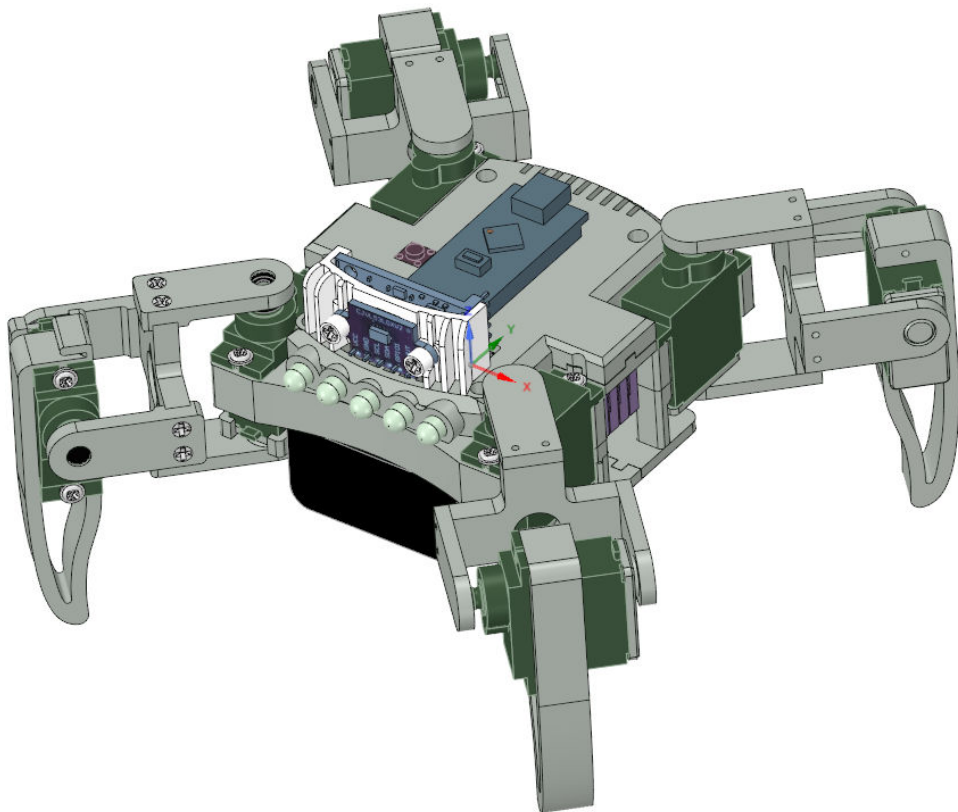
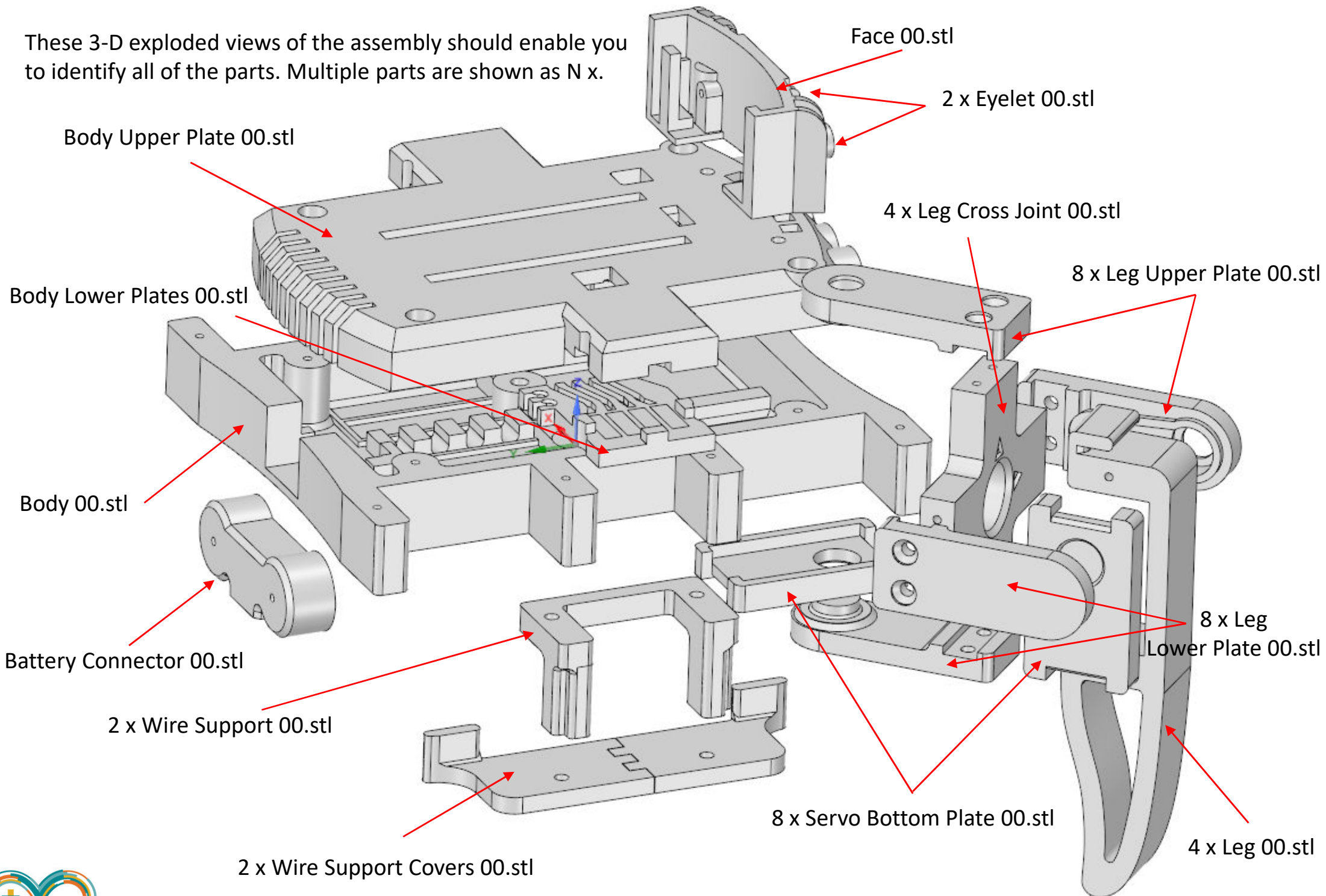


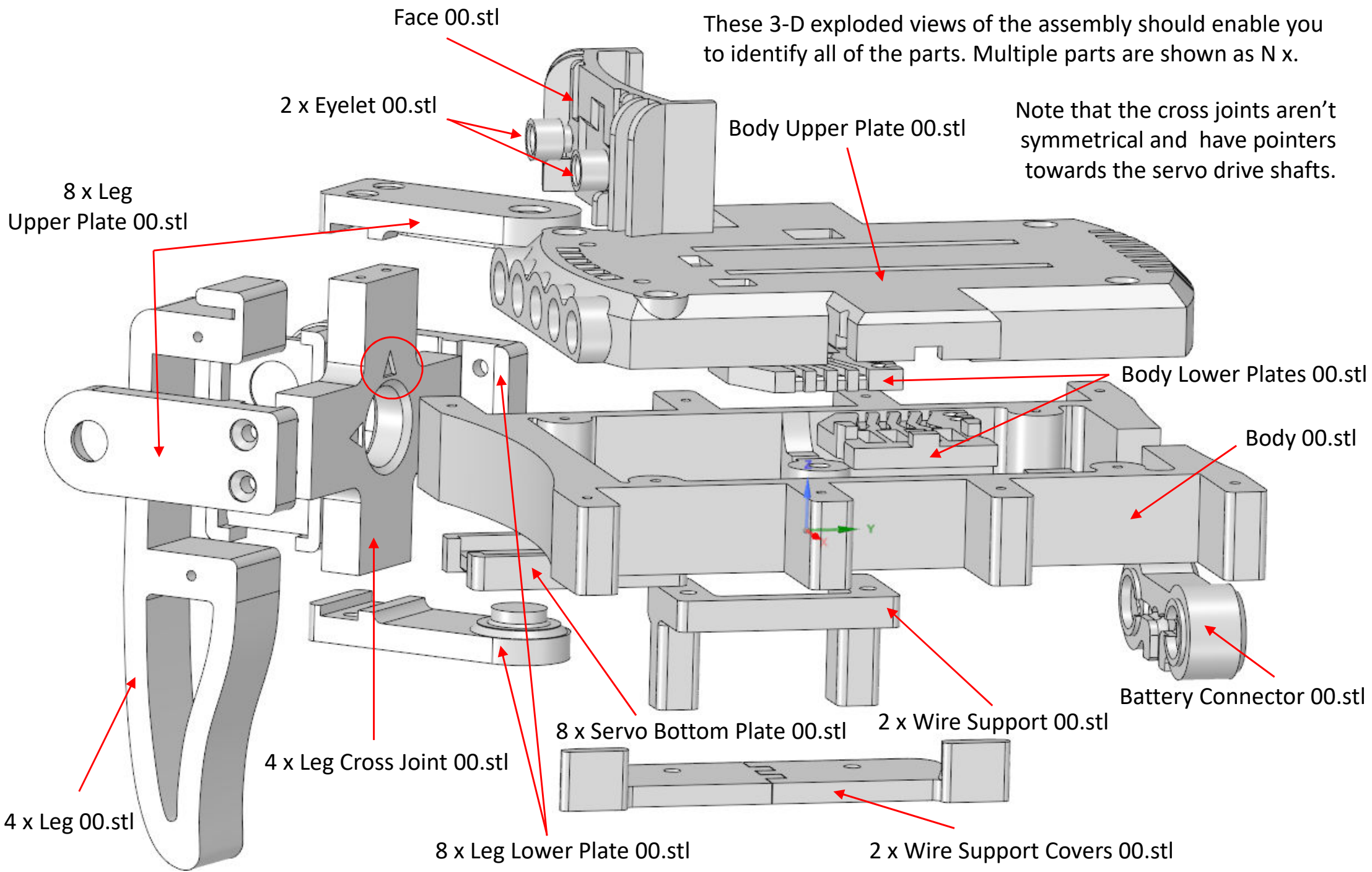
Quadruped LTOF

3-D Models



These 3-D exploded views of the assembly should enable you to identify all of the parts. Multiple parts are shown as N x.



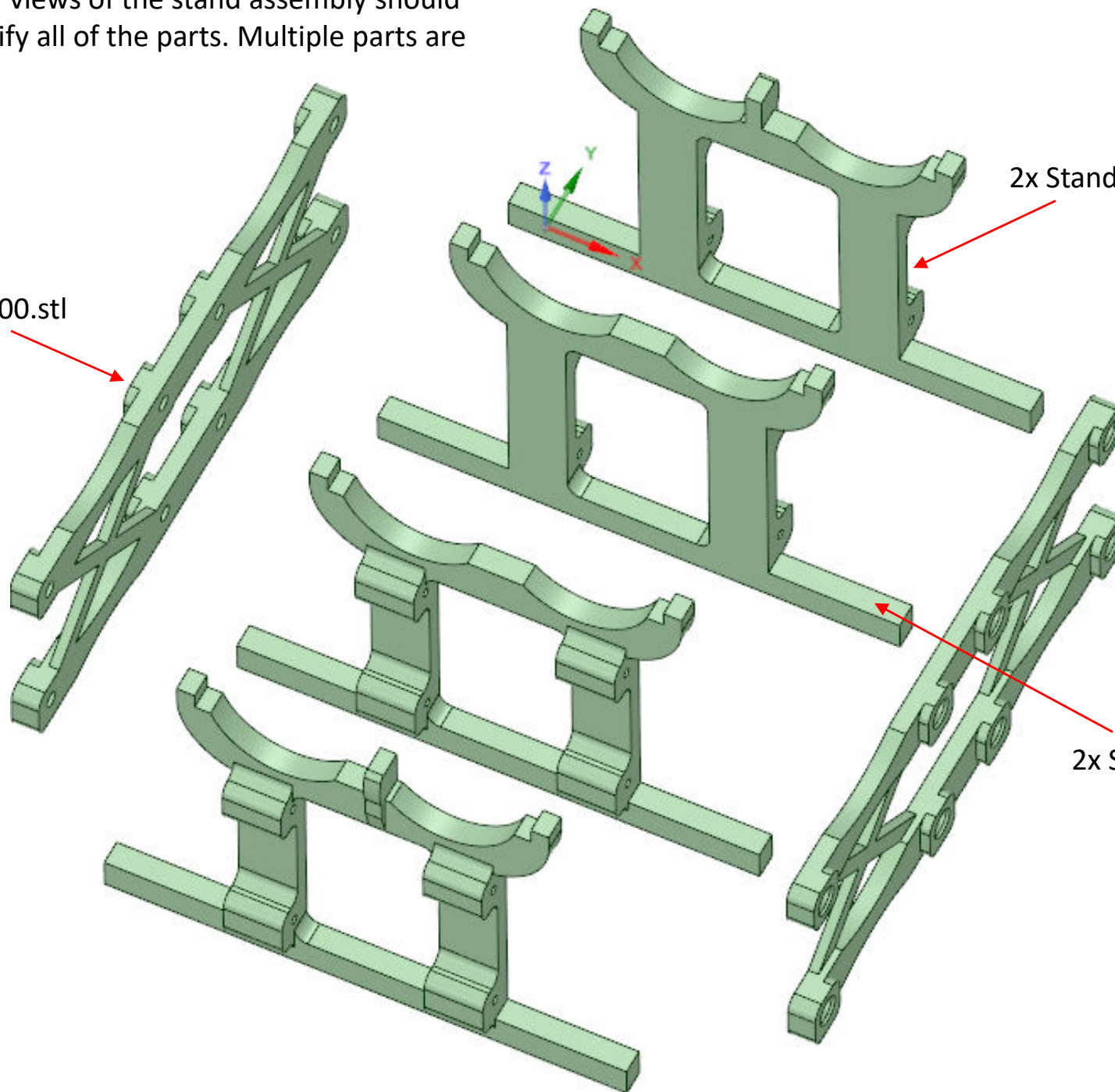


These 3-D exploded views of the stand assembly should enable you to identify all of the parts. Multiple parts are shown as N x.

2 x Stand Link 00.stl

2x Stand End Plate.stl

2x Stand Plate 00.stl



These 3-D exploded views of the wireless remote control assembly should enable you to identify all of the parts.

