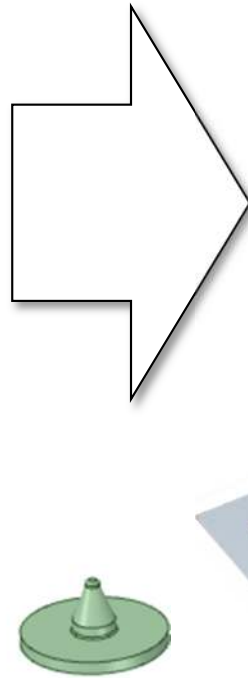
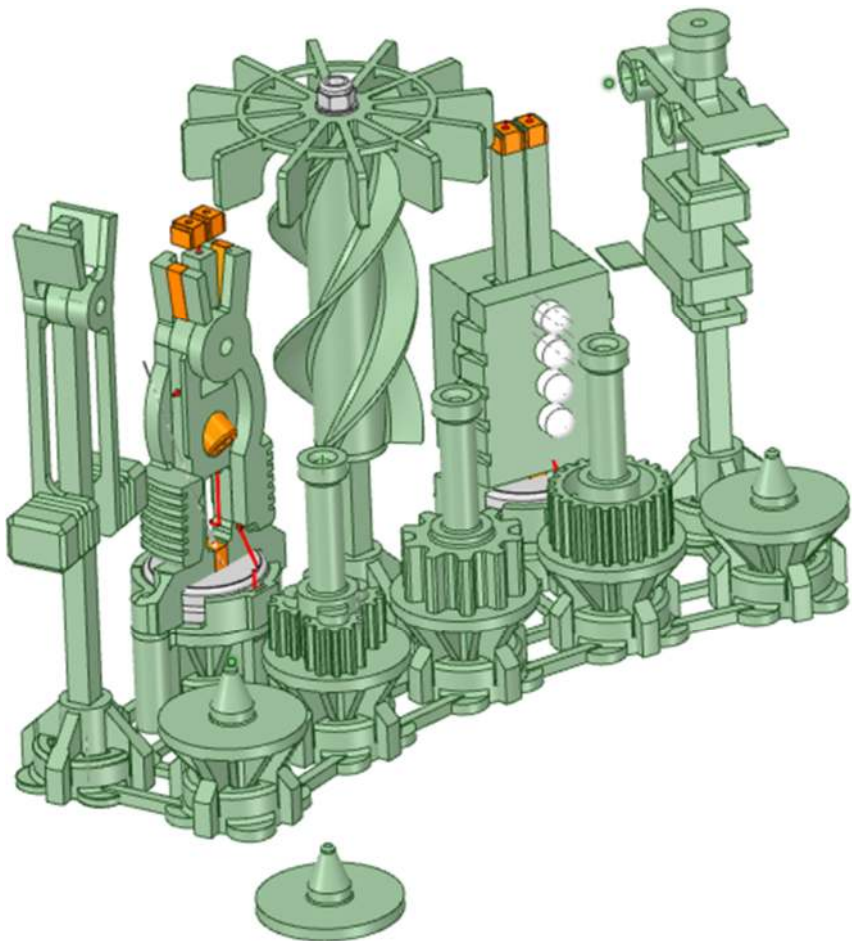


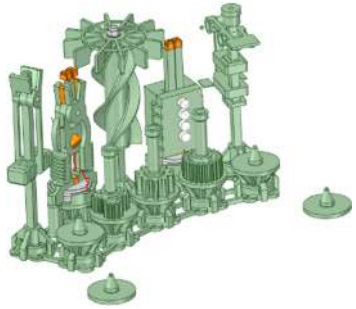
# Reach Robot Mk1

## 3D Accessories



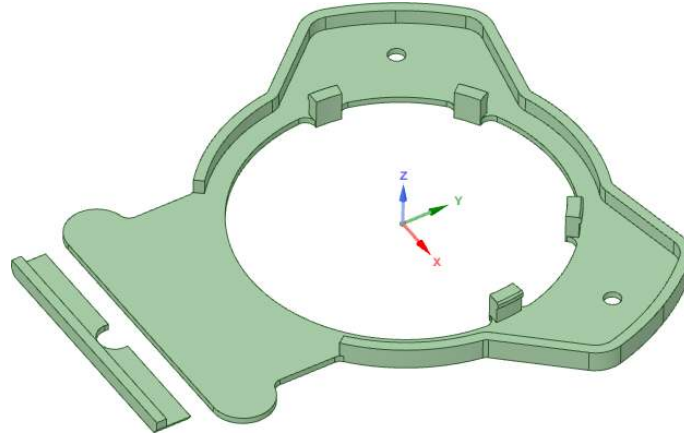
# Printed Parts

Note: M3 pilot holes are 2.5mm  $\varnothing$   
Screw M3 pilot holes 1.4mm  $\varnothing$

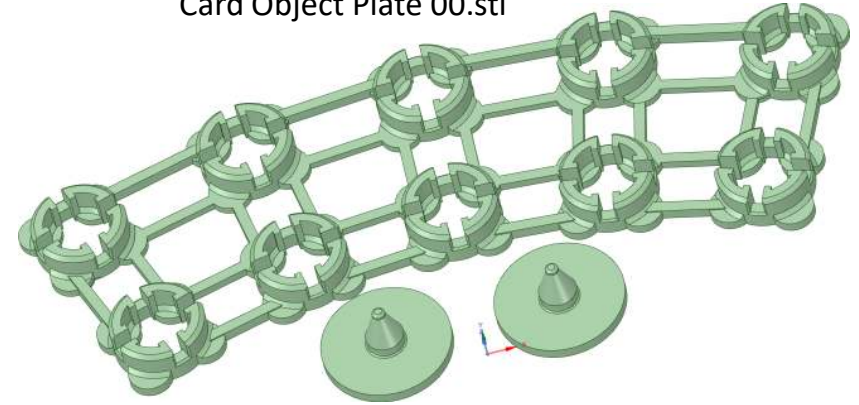


This should help you identify all of the parts needed to build the robot.

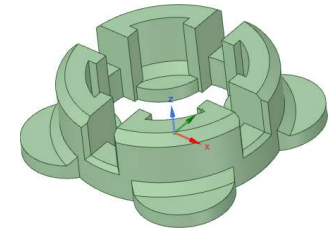
Card Base Plate Mount 00.stl



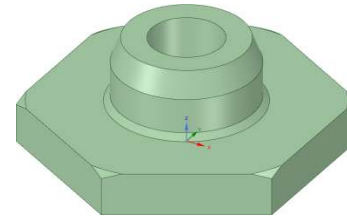
Card Object Plate 00.stl



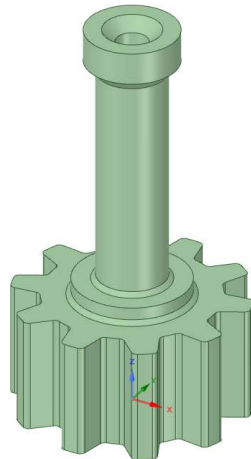
Object Card Base 00.stl



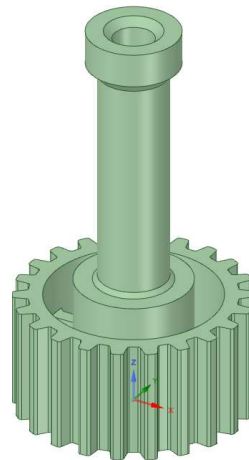
Object Hex Nut Mount 00.stl



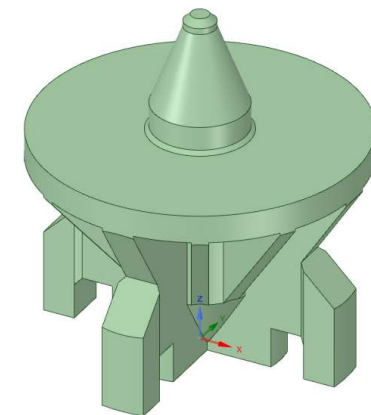
Object Cog Wheel 00.stl



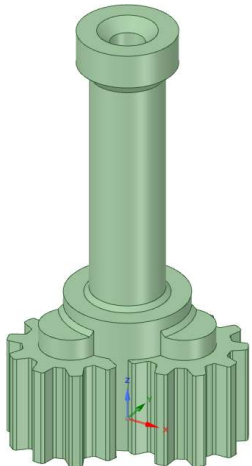
Object Cog Wheel 01.stl



Peg Stand 00.stl



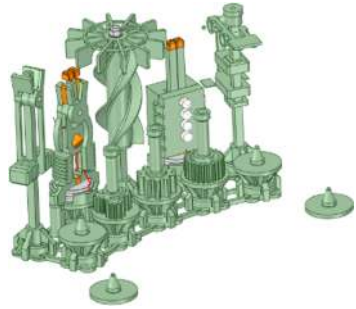
Object Cog 3 Wheels 00.stl



Models are not to scale

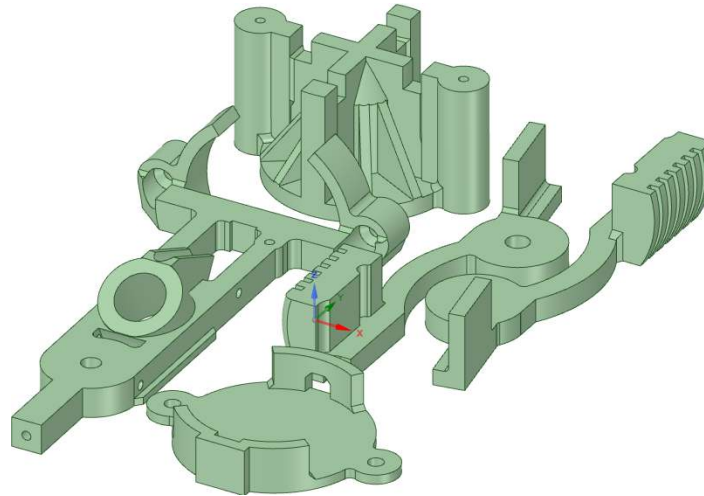
# Printed Parts

Note: M3 pilot holes are 2.5mm  $\varnothing$   
Screw M3 pilot holes 1.4mm  $\varnothing$

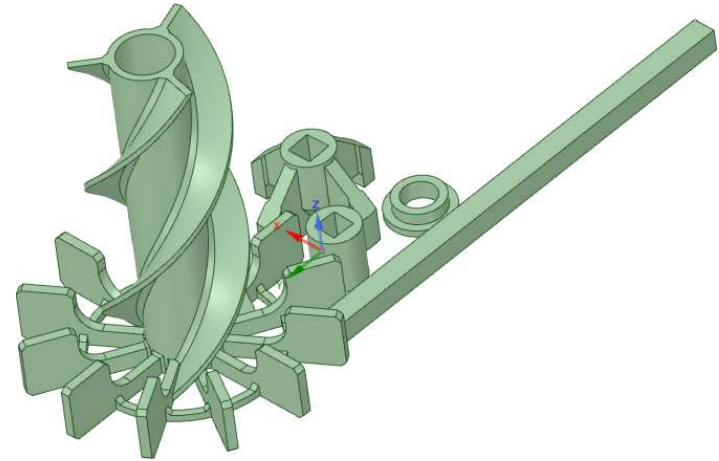


This should help you identify all of the parts needed to build the robot.

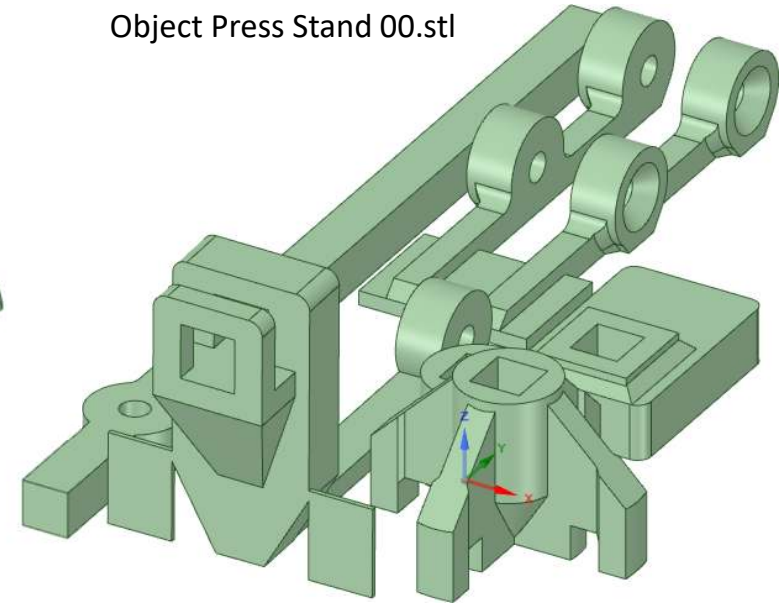
Object Laser Stand 00.stl



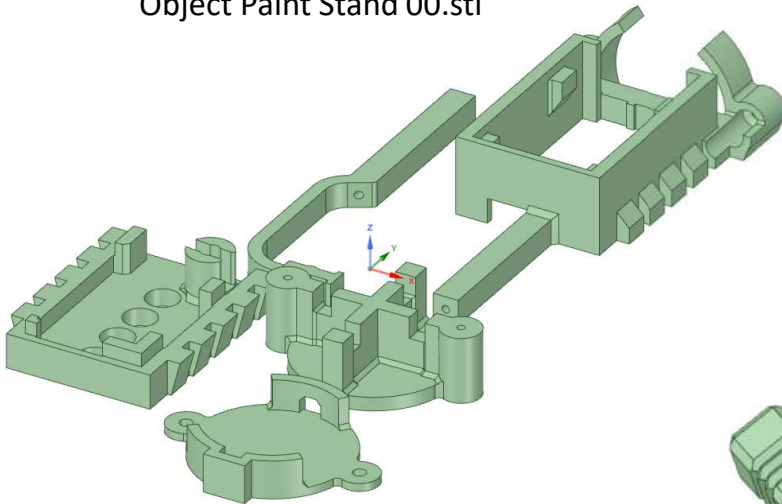
Object Paddle Drill 00.stl



Object Press Stand 00.stl



Object Paint Stand 00.stl



Object Flag Stand 00.stl

