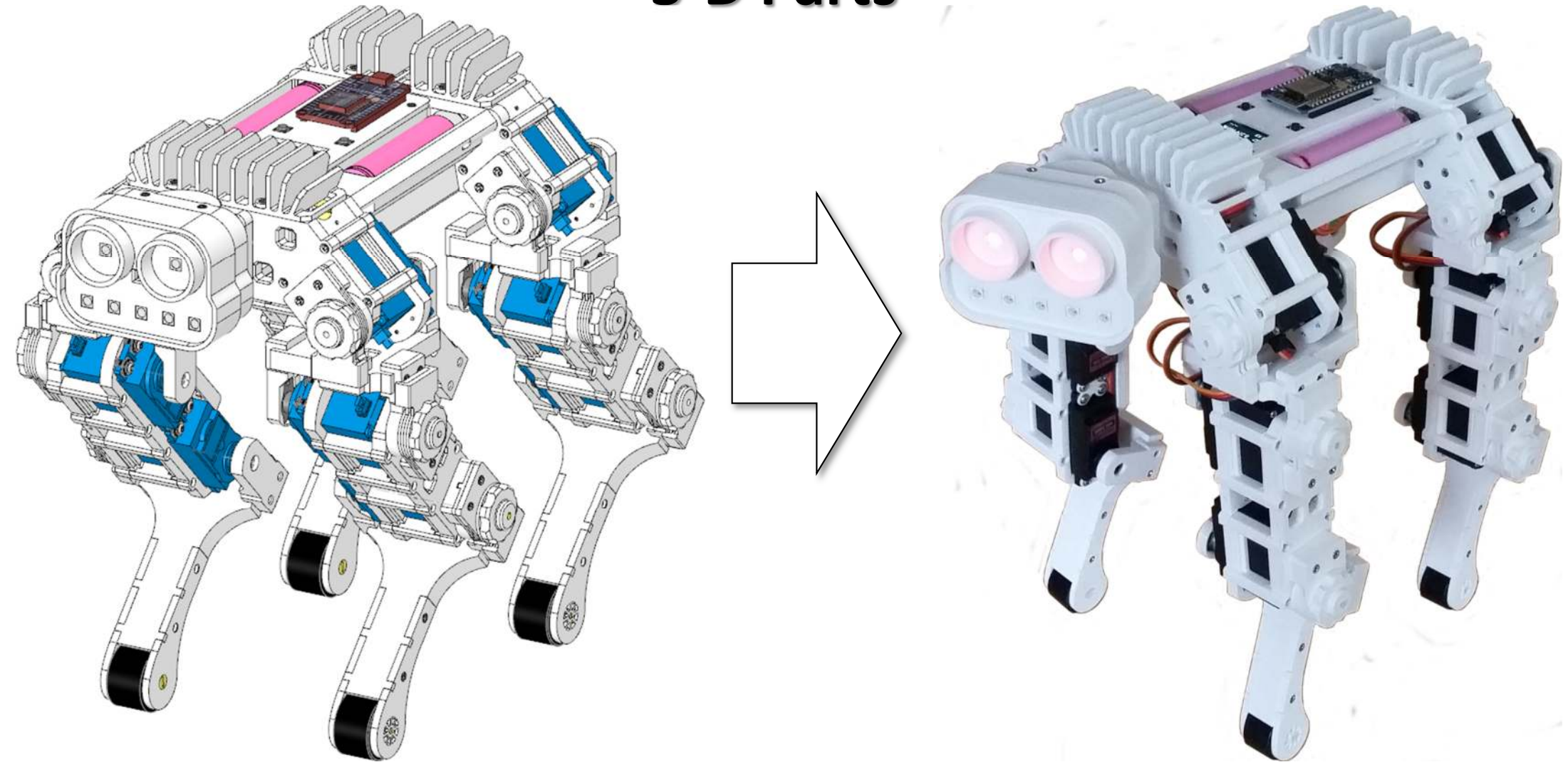
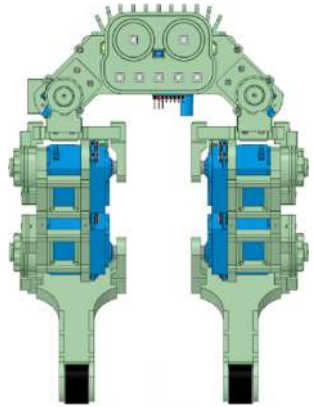


RoboDog

3-D Parts

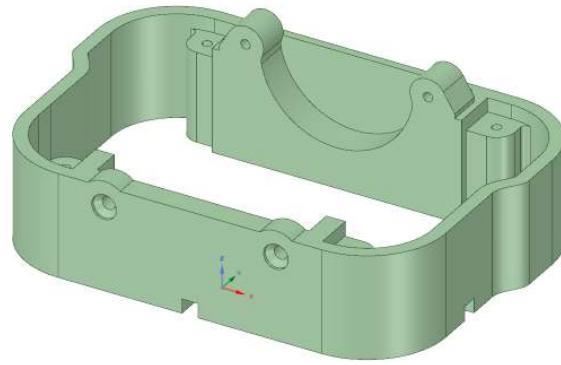


Printed Parts

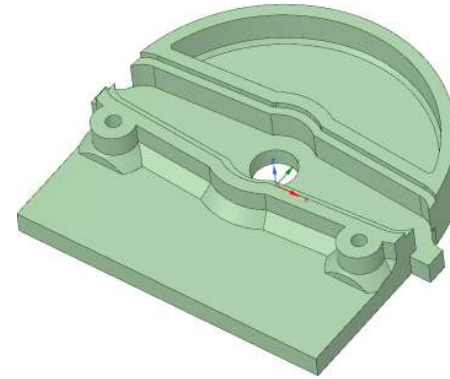


This should help you identify all of the parts needed to build the robot.

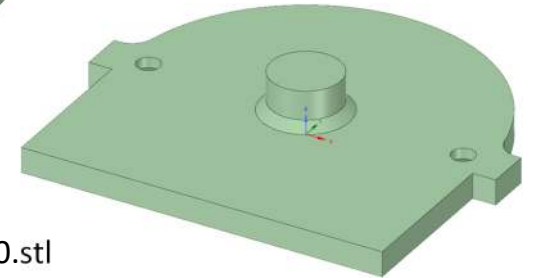
Head Back Plate 00.stl



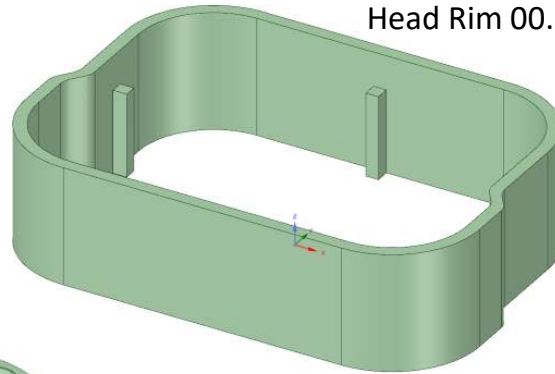
Head Leaver Plate 00.stl



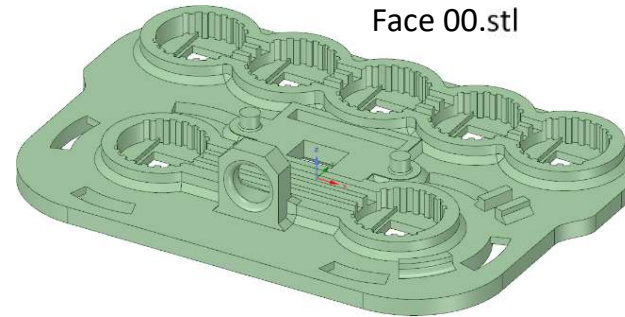
Head Pinion Plate 00.stl



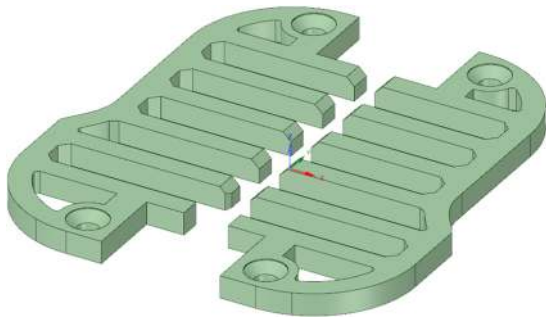
Head Rim 00.stl



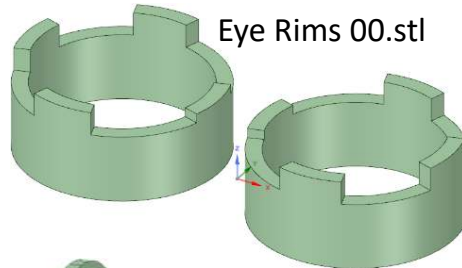
Face 00.stl



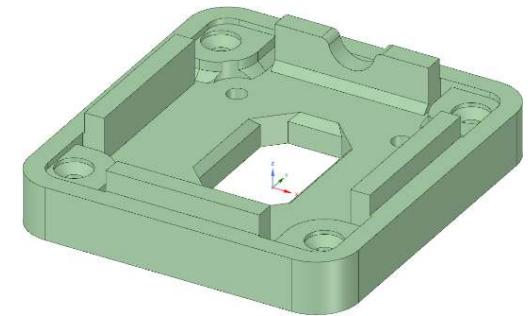
Head Vains 00.stl



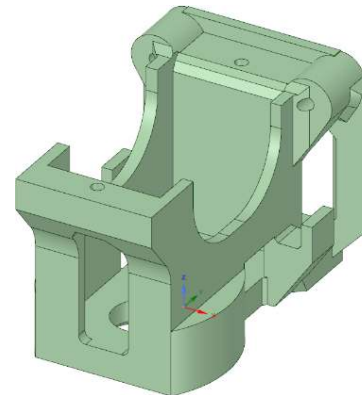
Eye Rims 00.stl



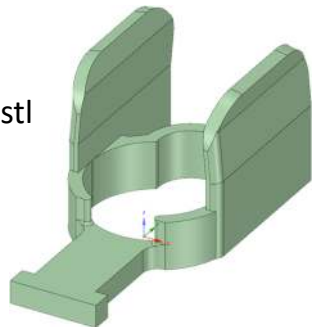
Neck Plate 00.stl



Neck Servo Mount 00.stl

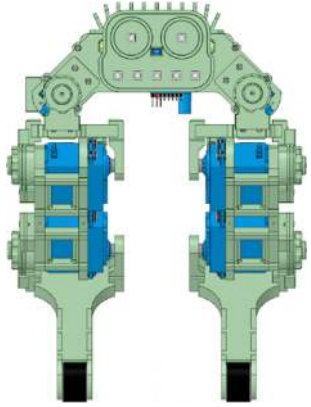


Servo Top Plate 00.stl

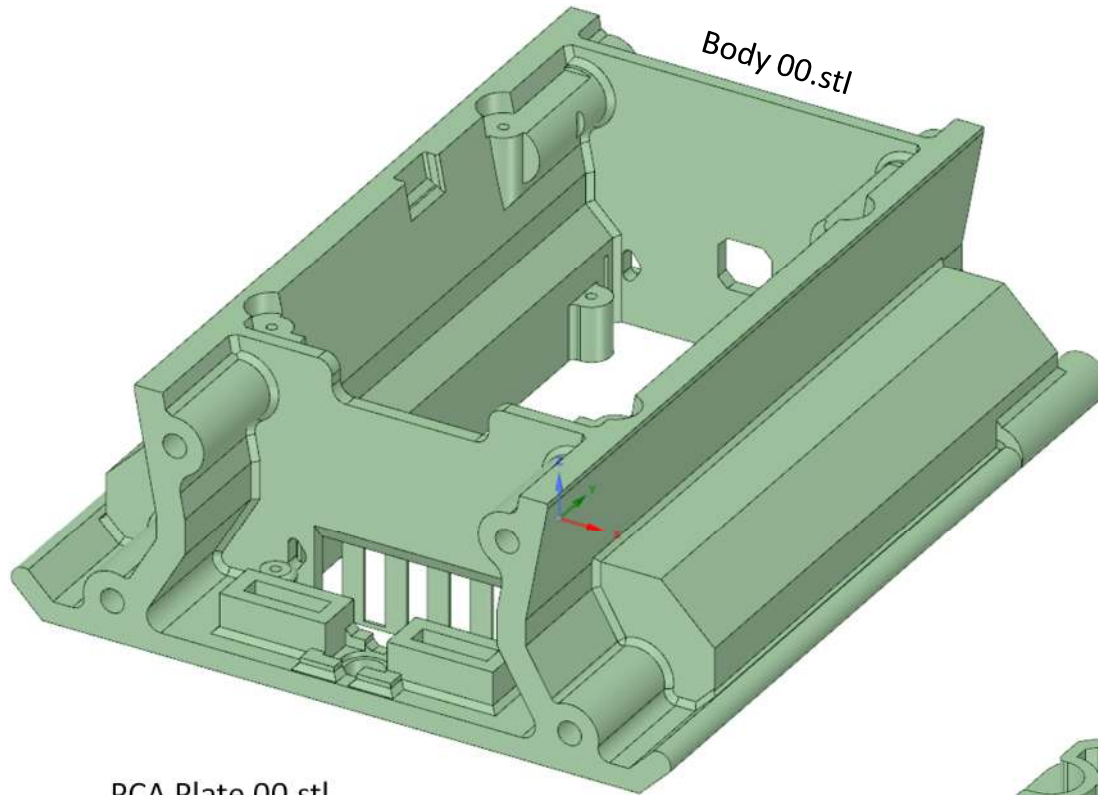


Note: screw pilot holes are 1.4mm \varnothing
through holes are 2.0mm \varnothing

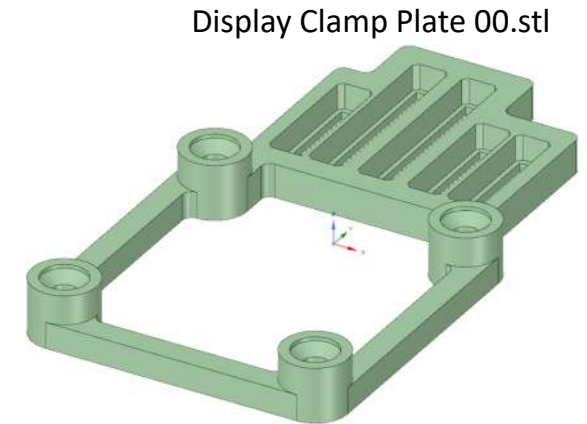
Printed Parts



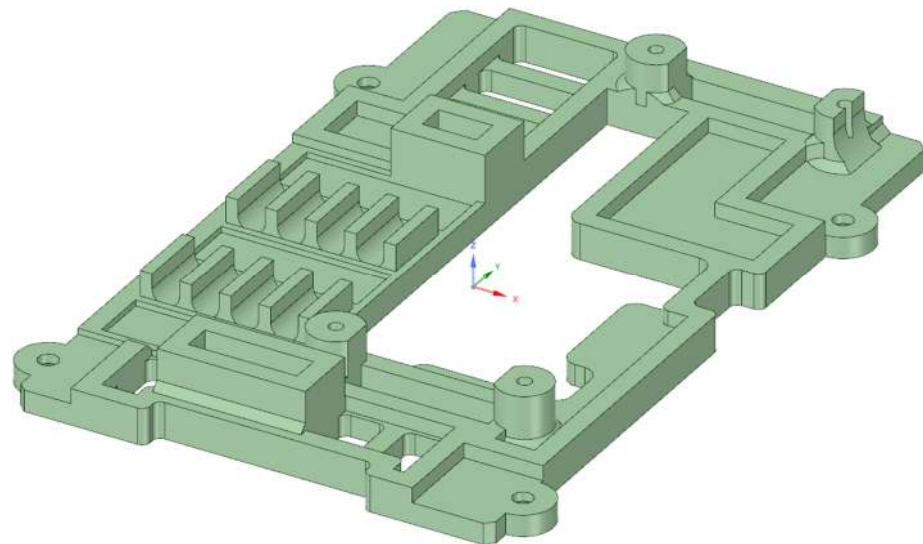
This should help you identify all of the parts needed to build the robot.



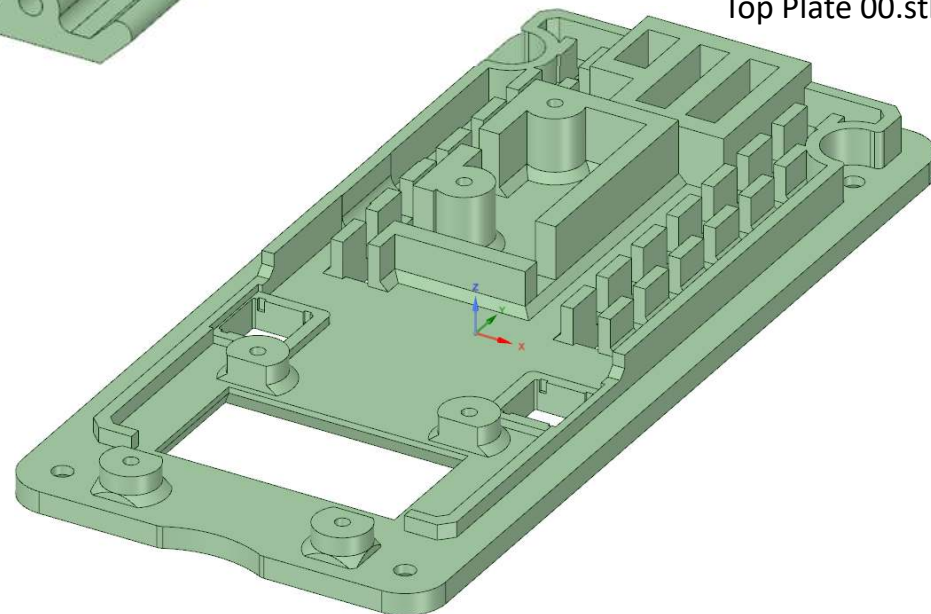
Note: screw pilot holes are 1.4mm \varnothing
through holes are 2.0mm \varnothing



PCA Plate 00.stl

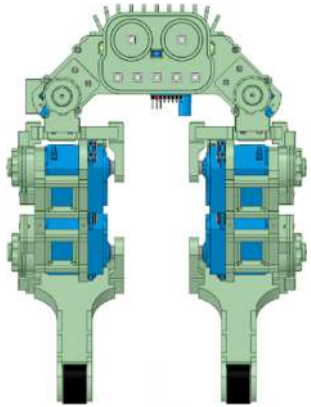


Top Plate 00.stl



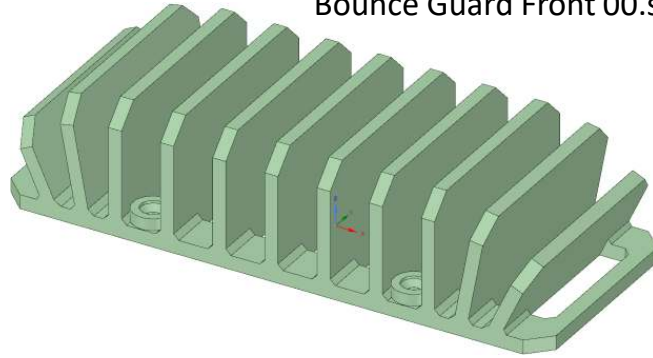
Printed Parts

Note: screw pilot holes are 1.4mm \varnothing
through holes are 2.0mm \varnothing

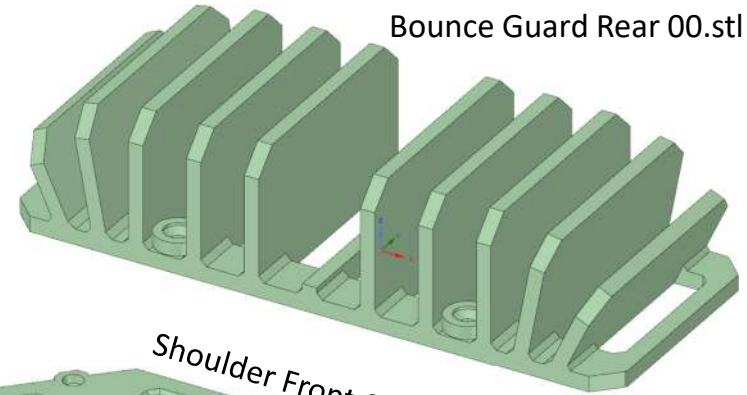


This should help you identify all of the parts needed to build the robot.

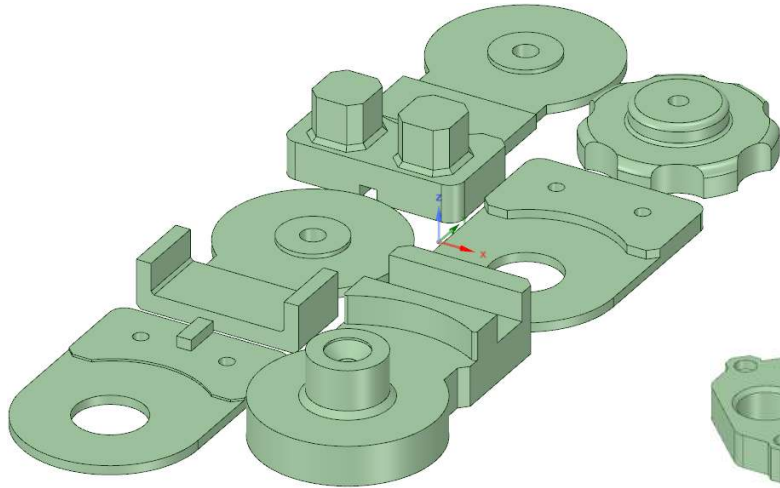
Bounce Guard Front 00.stl



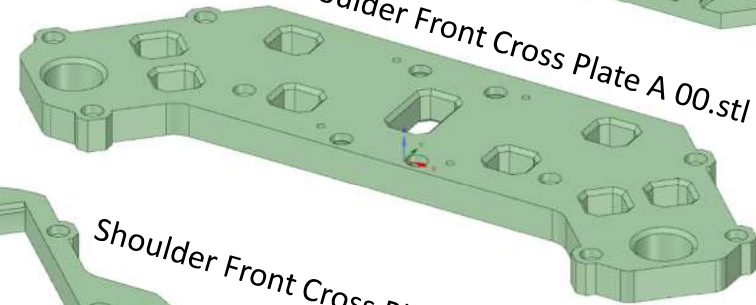
Bounce Guard Rear 00.stl



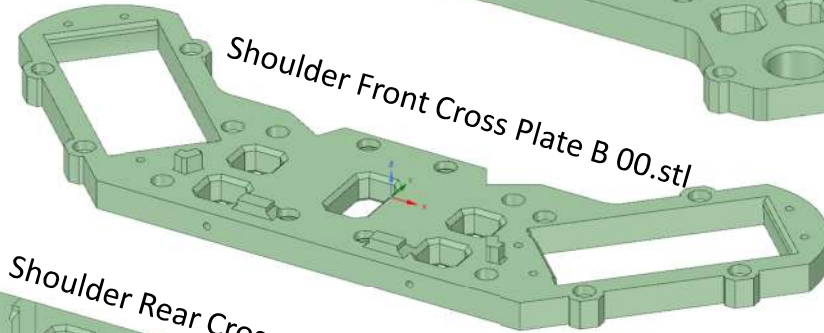
12 x Damper Parts 00.stl



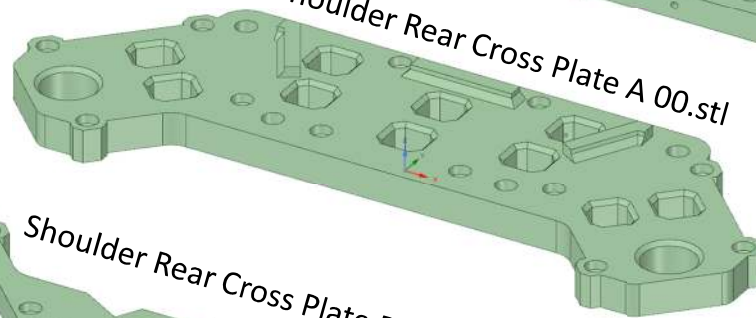
Shoulder Front Cross Plate A 00.stl



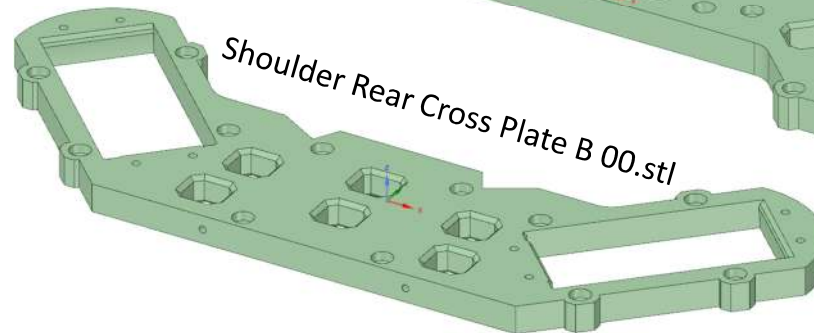
Shoulder Front Cross Plate B 00.stl



Shoulder Rear Cross Plate A 00.stl

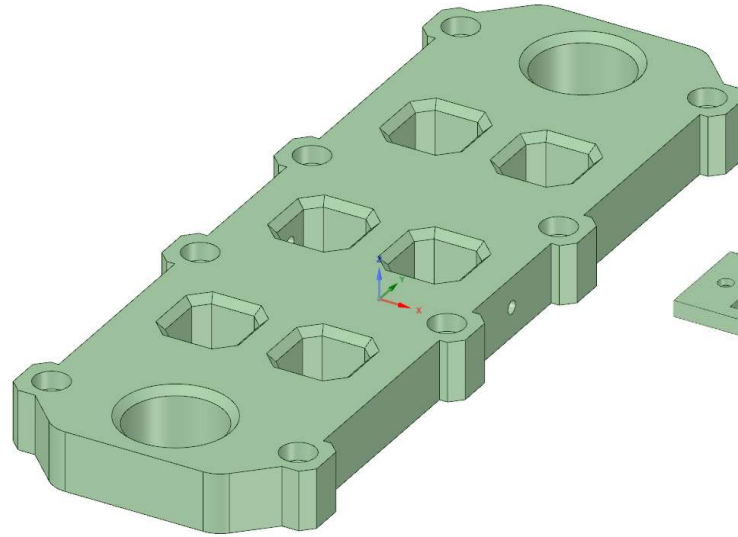


Shoulder Rear Cross Plate B 00.stl

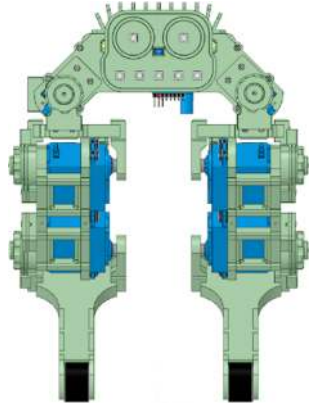


Printed Parts

4 x Leg Bearing Plate 00.stl

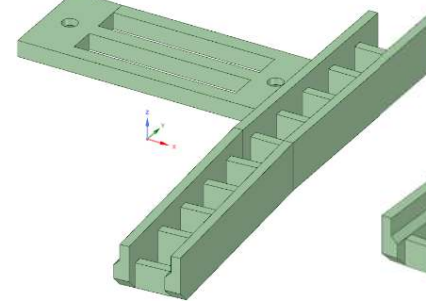


Note: screw pilot holes are 1.4mm \varnothing
through holes are 2.0mm \varnothing

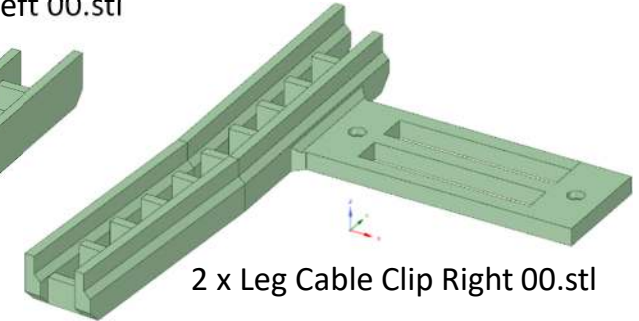


This should help you identify all of the parts needed to build the robot.

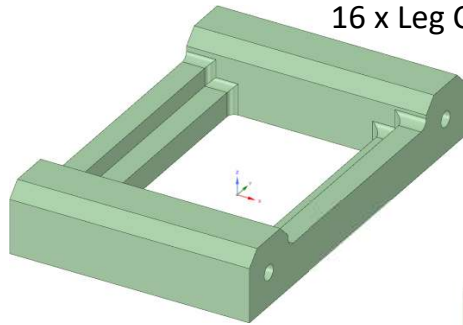
2 x Leg Cable Clip Left 00.stl



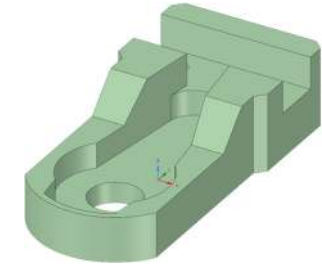
2 x Leg Cable Clip Right 00.stl



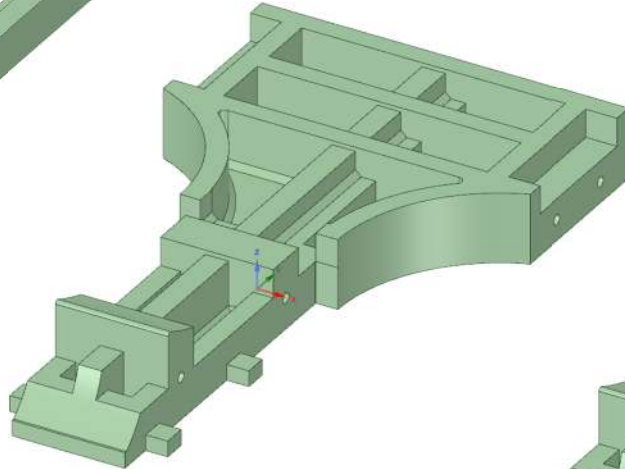
16 x Leg Clamping Plate 00.stl



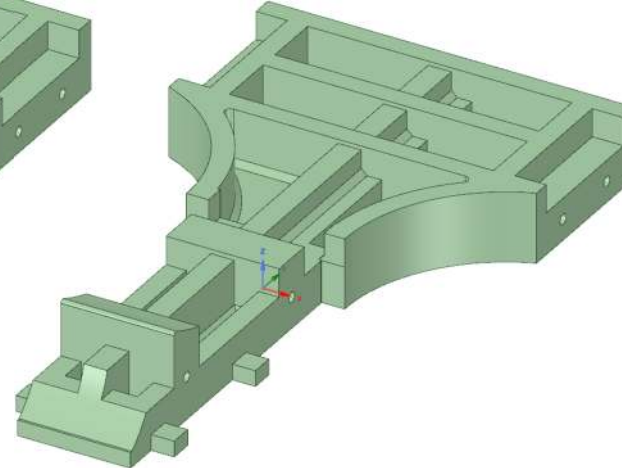
12 x Leg Lower Leaver Arm 00.stl



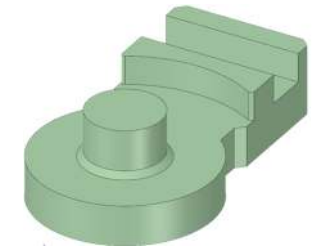
2 x Leg Lower Cross Brace Left 00.stl



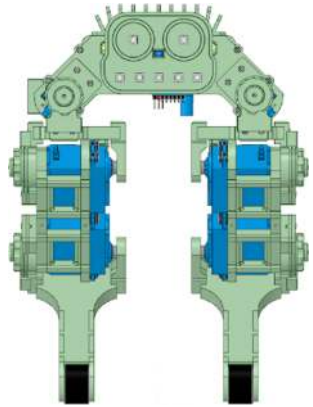
2 x Leg Lower Cross Brace Right 00.stl



12 x Leg Lower Pinion Arm 00.stl

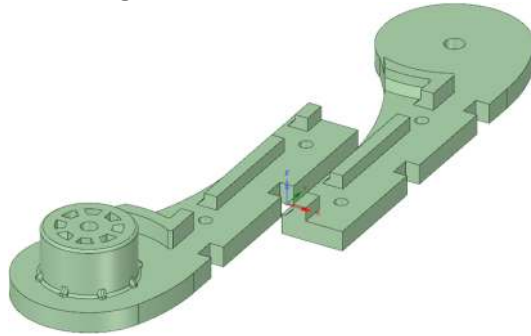


Printed Parts

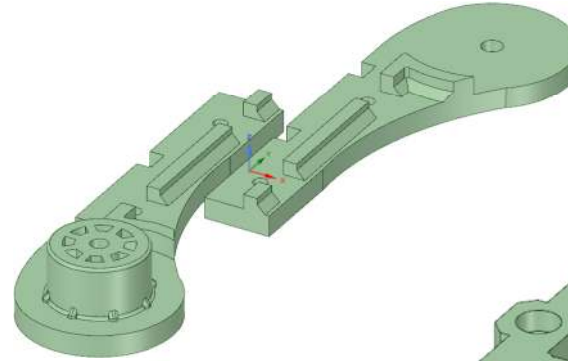


This should help you identify all of the parts needed to build the robot.

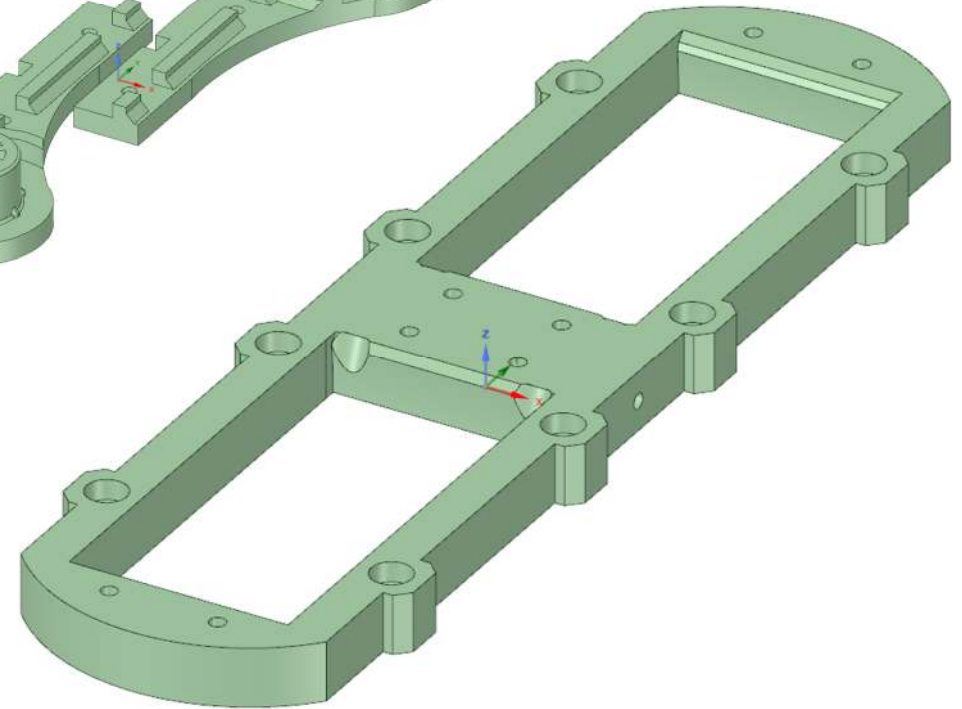
2 x Leg Lower Side Plates Left 00.stl



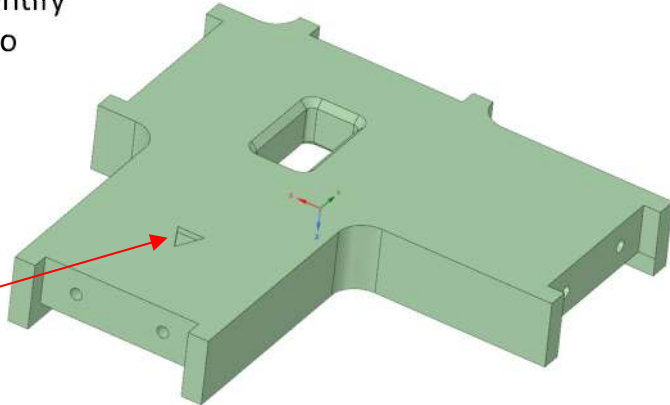
2 x Leg Lower Side Plates Right 00.stl



4 x Leg Servo Plate.stl

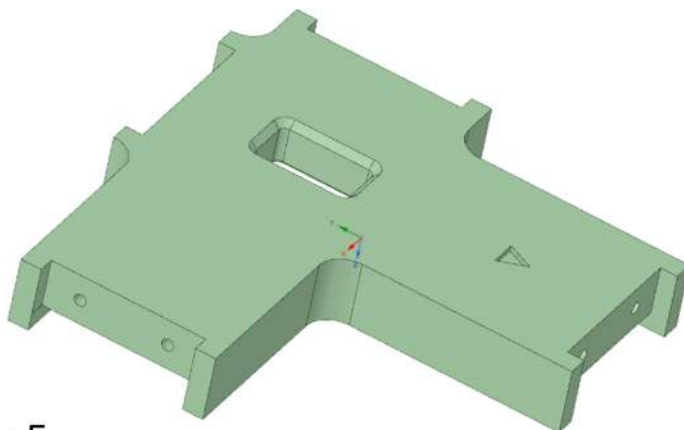


2 x Leg Upper Cross Brace Right 00.stl

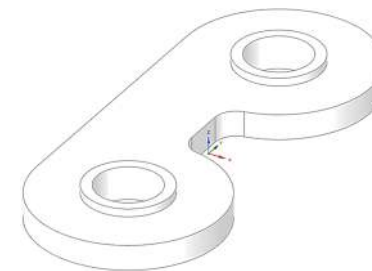


Arrow points forwards

2 x Leg Upper Cross Brace Left 00.stl



24 x Servo Screw Plate 00.stl



Note: screw pilot holes are 1.4mm \varnothing
through holes are 2.0mm \varnothing