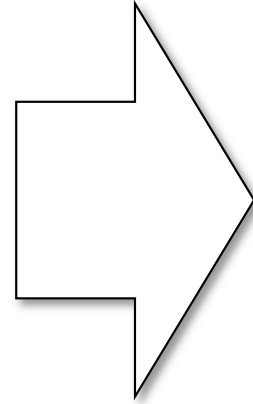
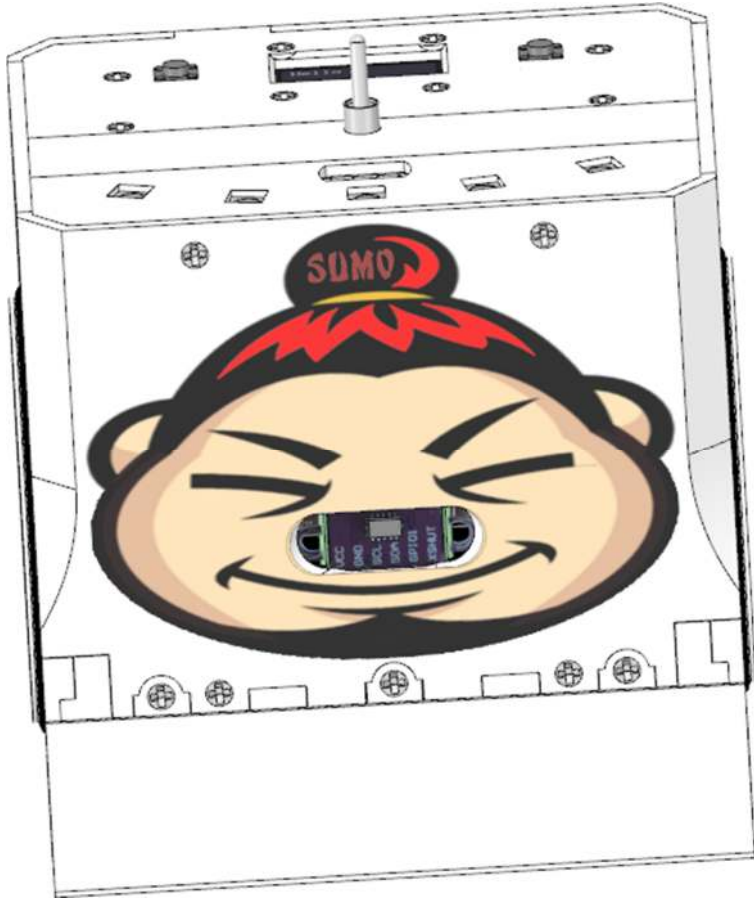
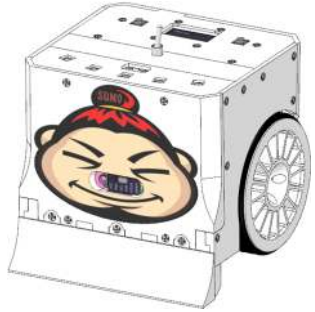


SumoBot

3D Parts

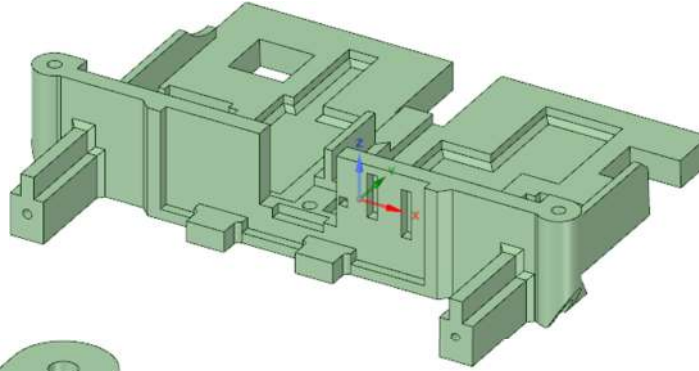


Printed Parts

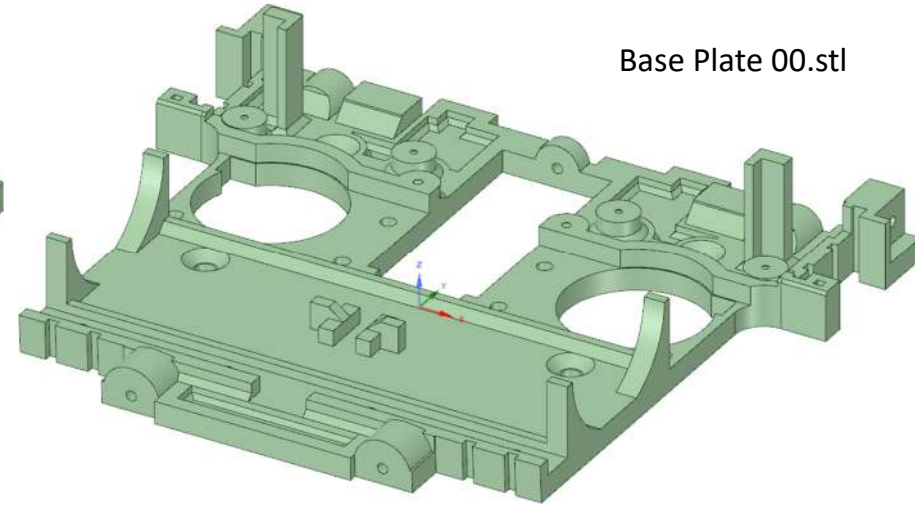


This should help you identify all of the parts needed to build the robot.

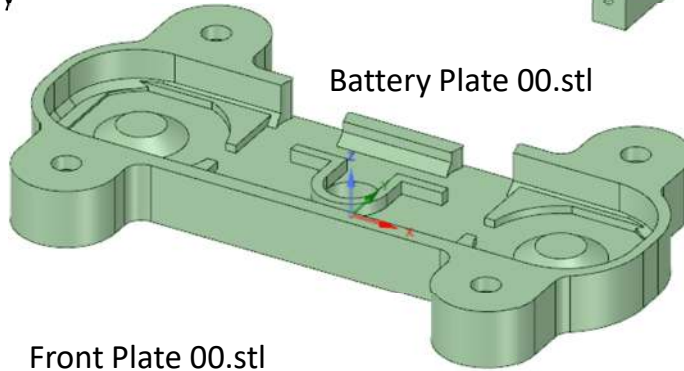
Back Plate 00.stl



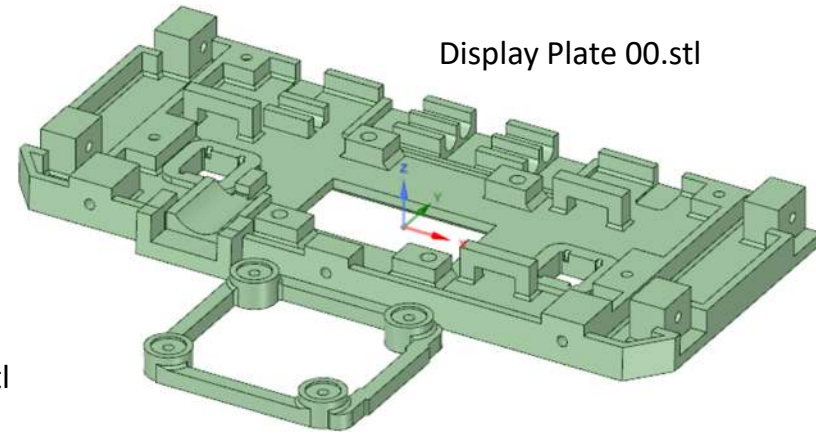
Base Plate 00.stl



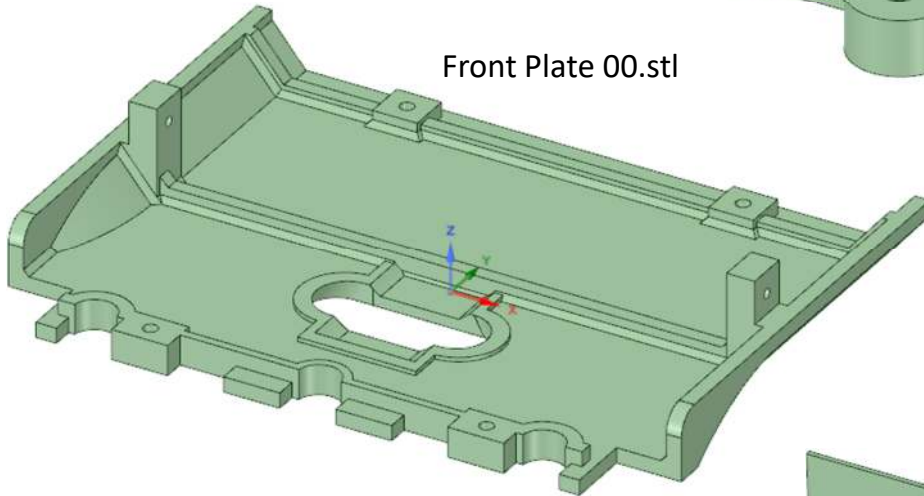
Battery Plate 00.stl



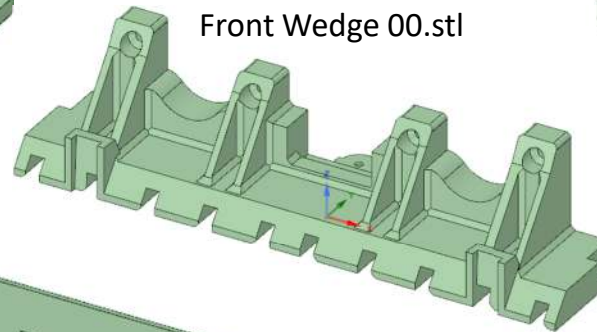
Display Plate 00.stl



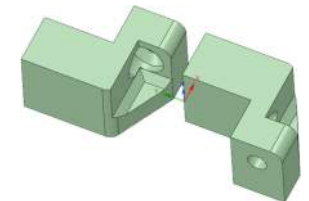
Front Plate 00.stl



Front Wedge 00.stl

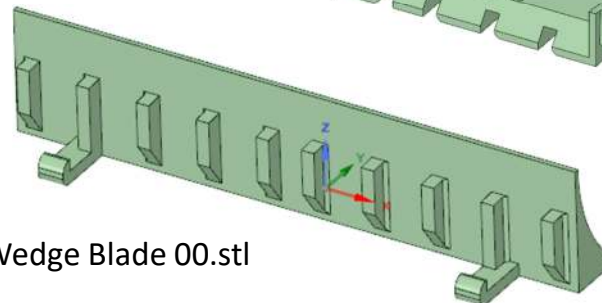


Display Plate Brackets 00.stl

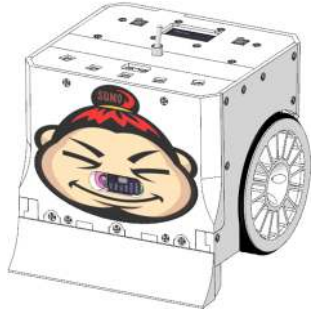


Models are not to scale

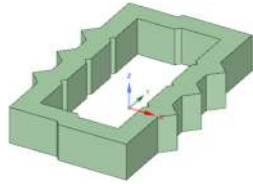
Front Wedge Blade 00.stl



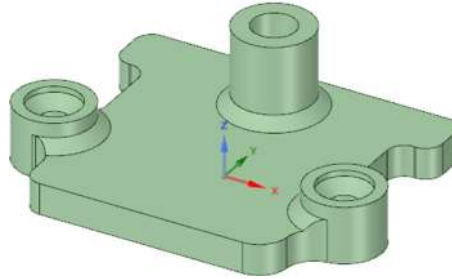
Printed Parts



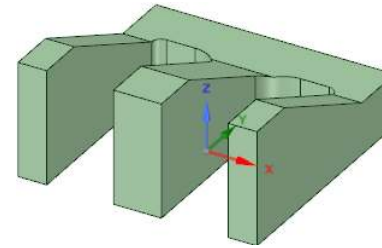
I2C Clip 00.stl



IR Mount Plate 00.stl

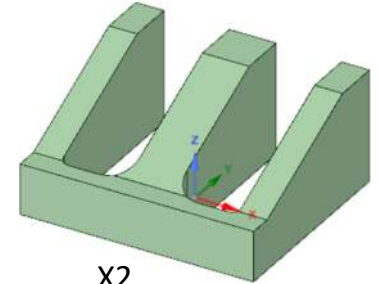


IR Sensor Clip Front 00.stl



X 3

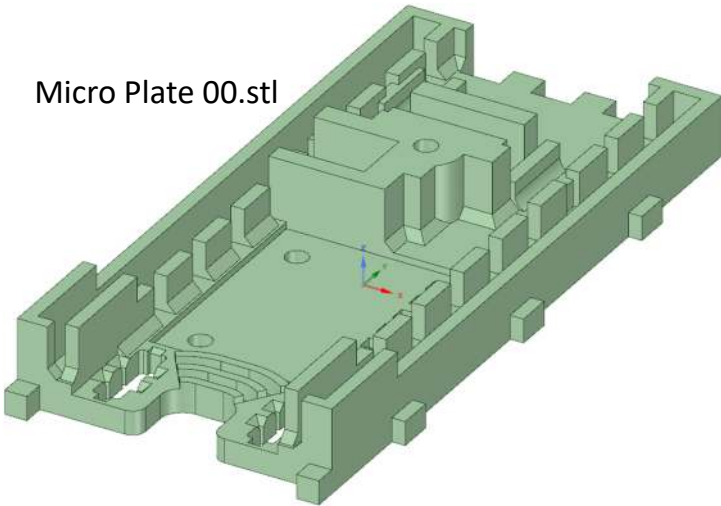
IR Sensor Clip Rear 00.stl



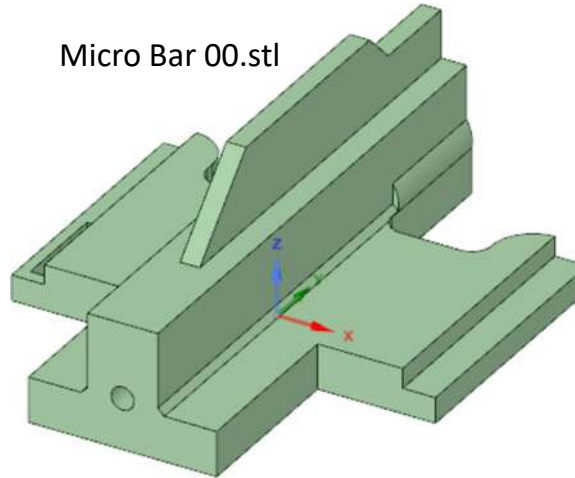
X 2

This should help you identify all of the parts needed to build the robot.

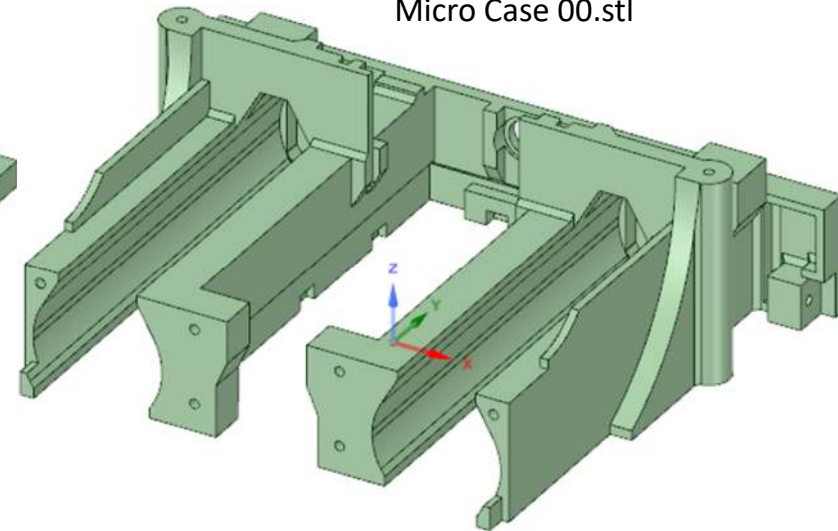
Micro Plate 00.stl



Micro Bar 00.stl

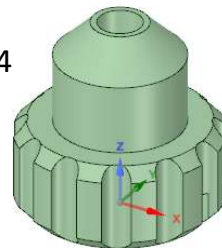


Micro Case 00.stl



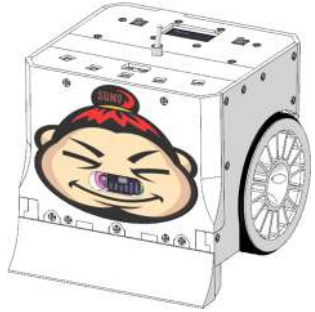
M3 Nut 00.stl

X 4



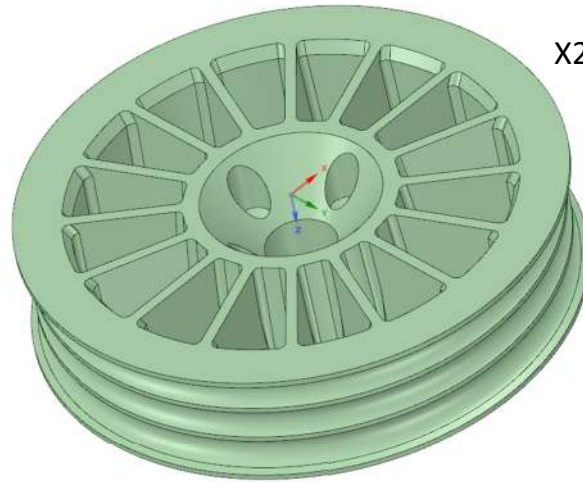
Models are not to scale

Printed Parts



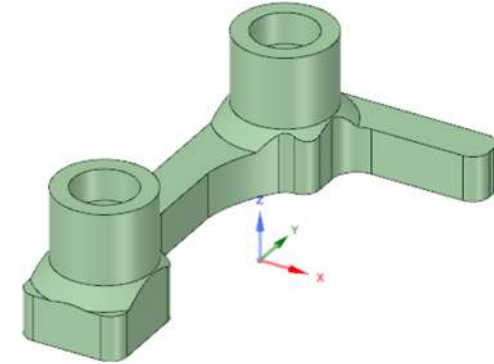
This should help you identify all of the parts needed to build the robot.

Mini Wheel 00.stl

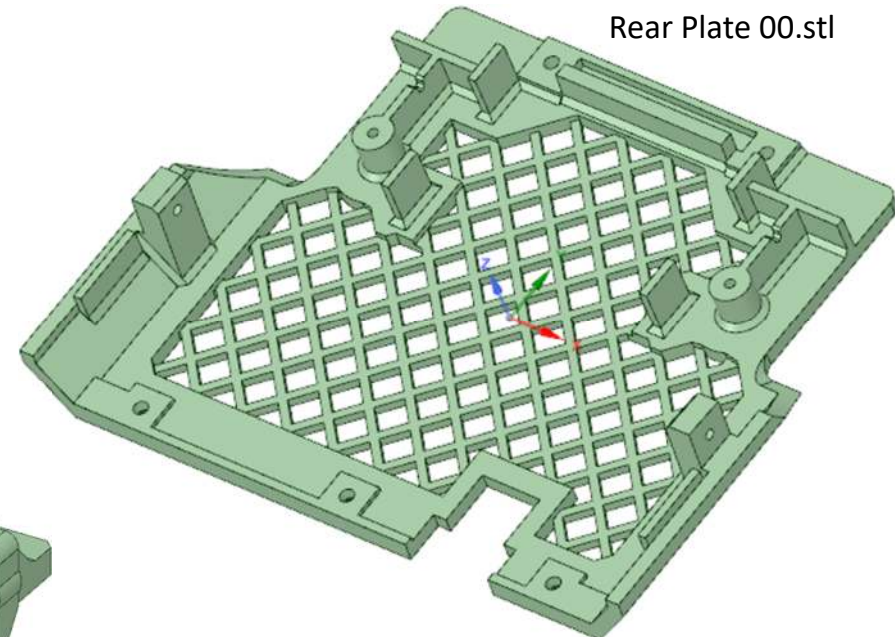


X2

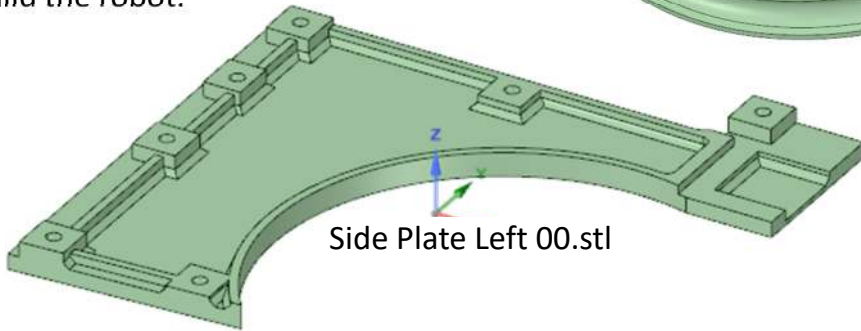
MPU Clamp Plate 00.stl



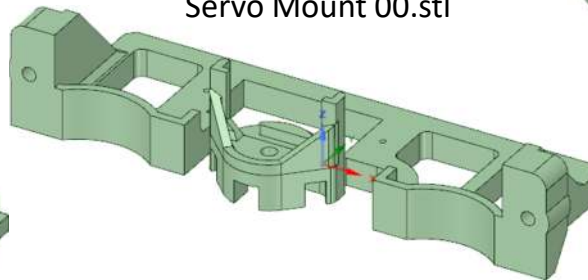
Rear Plate 00.stl



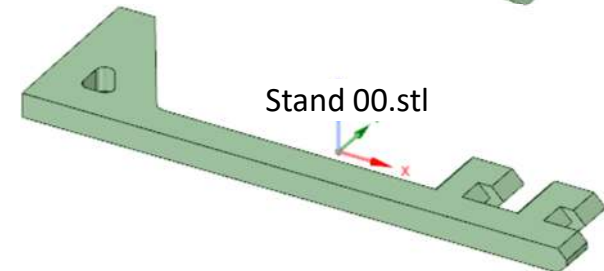
Side Plate Left 00.stl



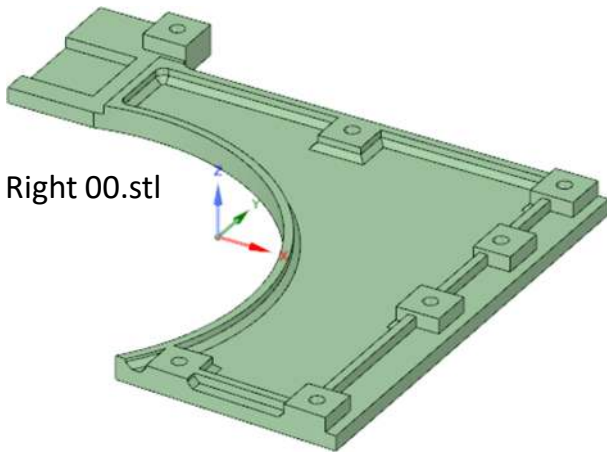
Servo Mount 00.stl



Stand 00.stl

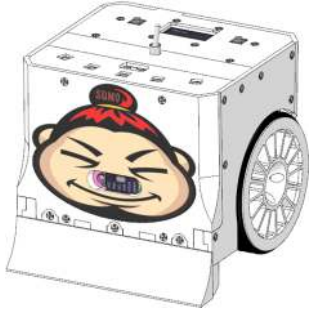


Side Plate Right 00.stl

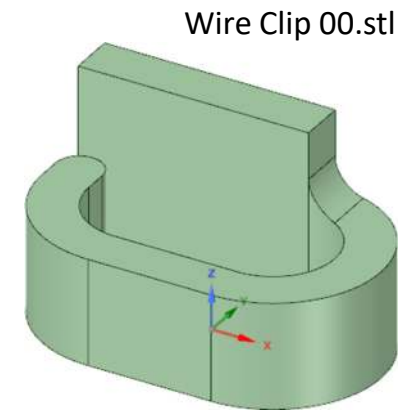
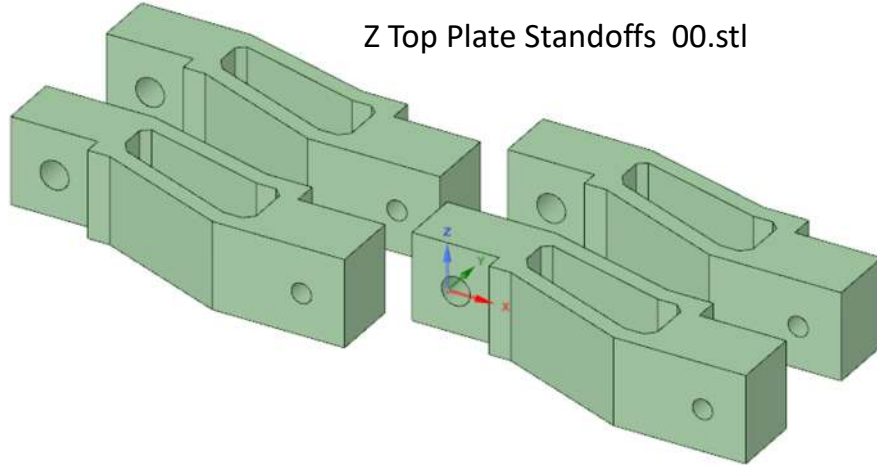
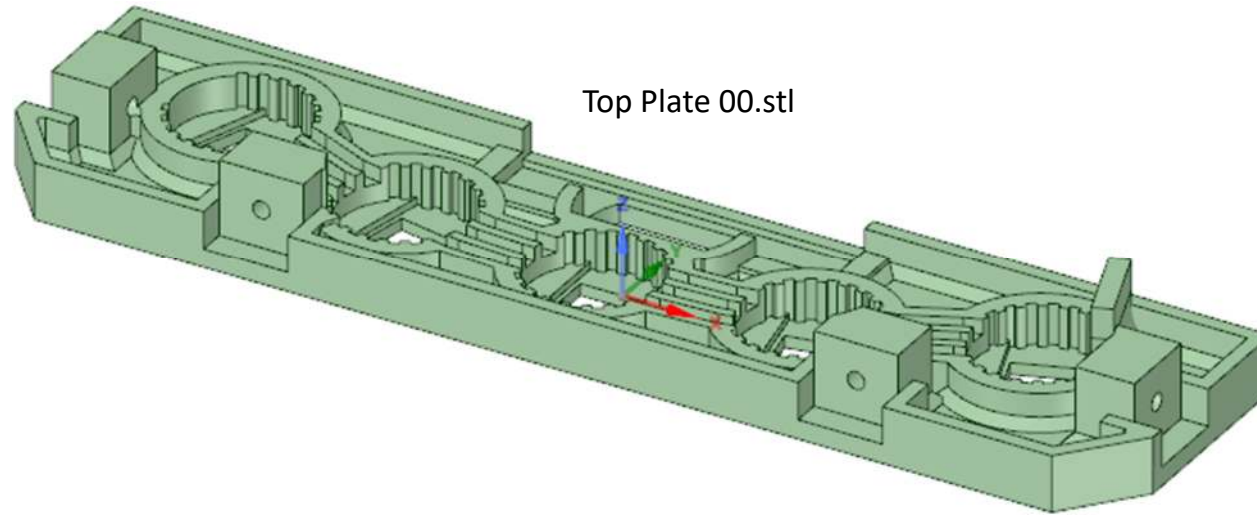


Models are not to scale

Printed Parts

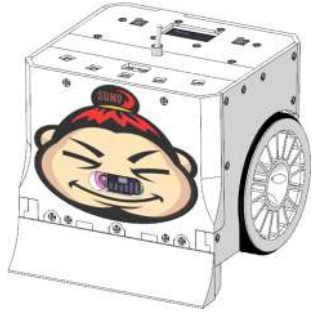


This should help you identify all of the parts needed to build the robot.

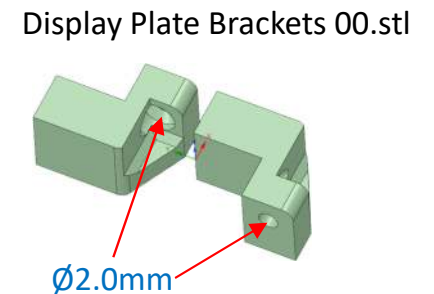
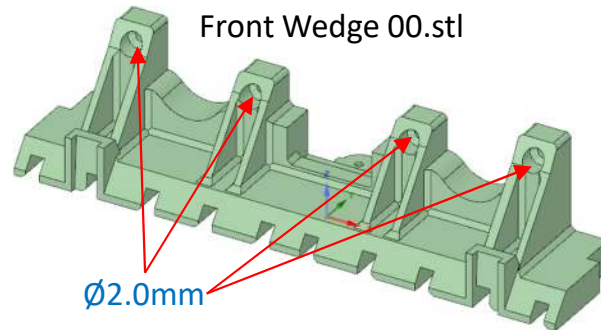
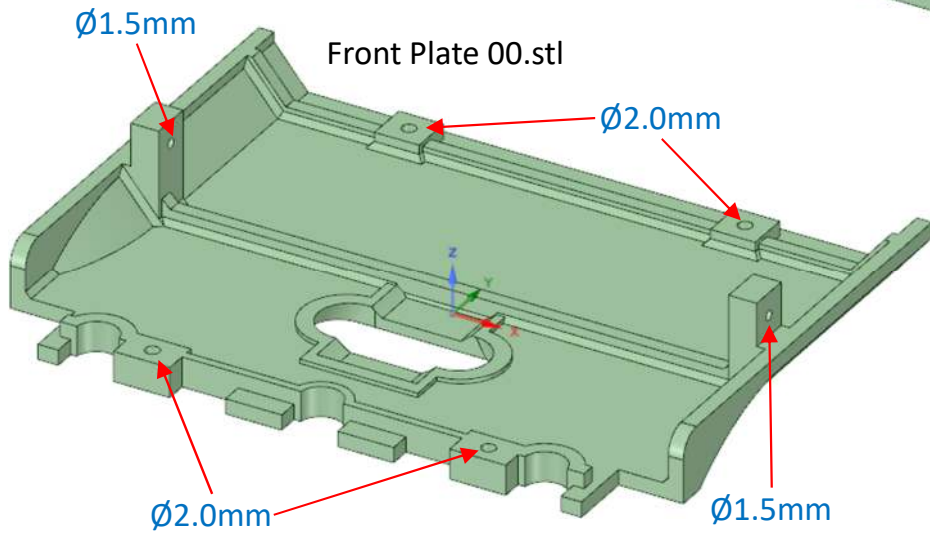
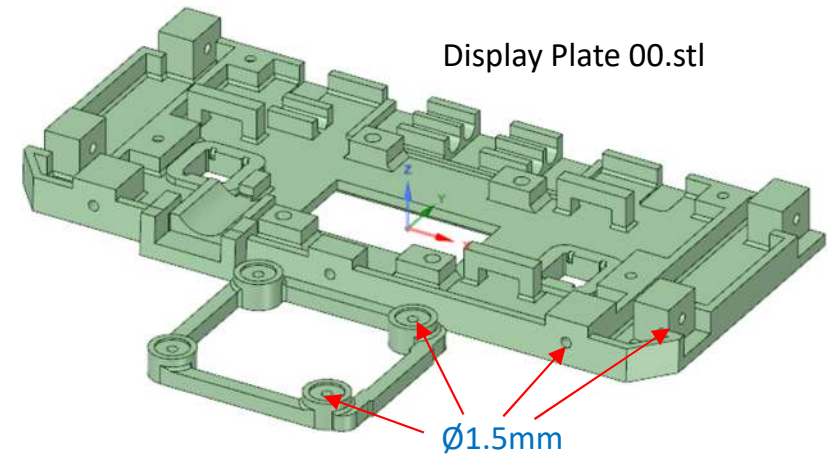
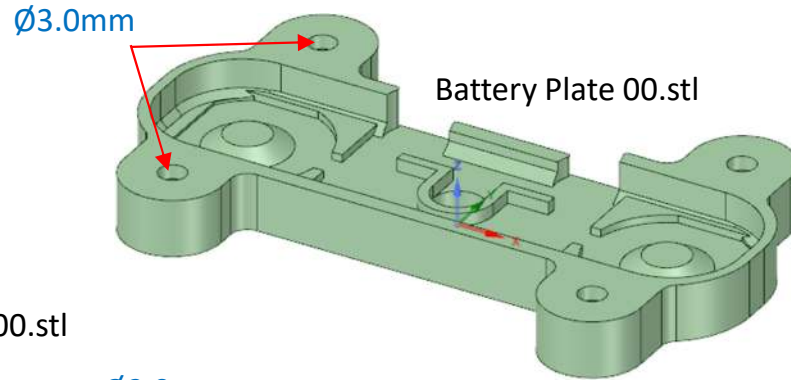
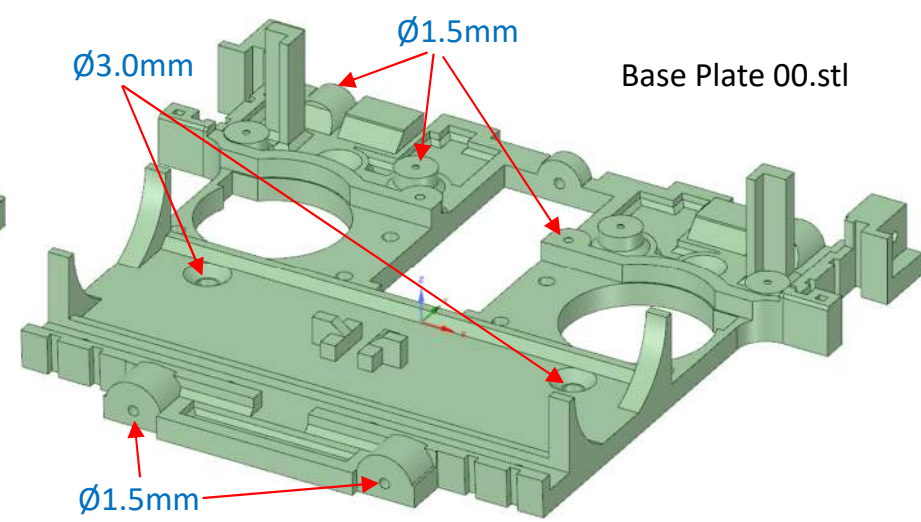
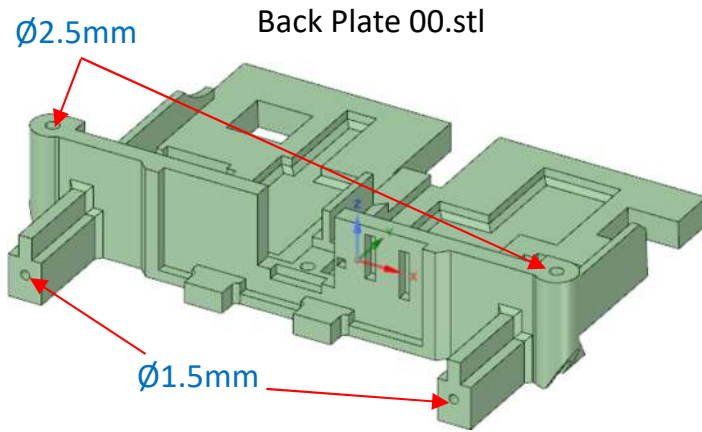


Models are not to scale

Drill Sizes

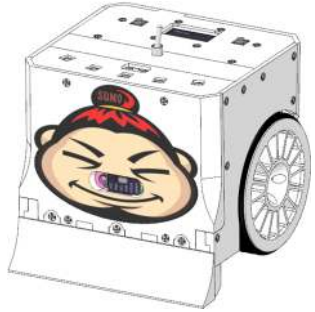


This shows clearance and pilot drill sizes for parts with holes.



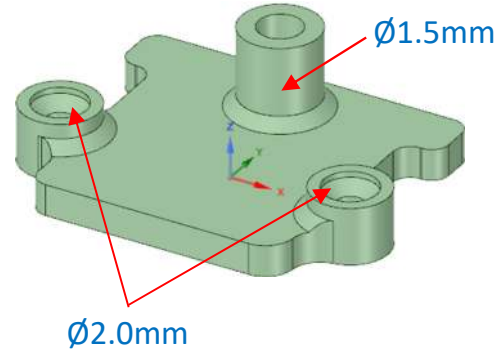
Models are not to scale

Drill Sizes

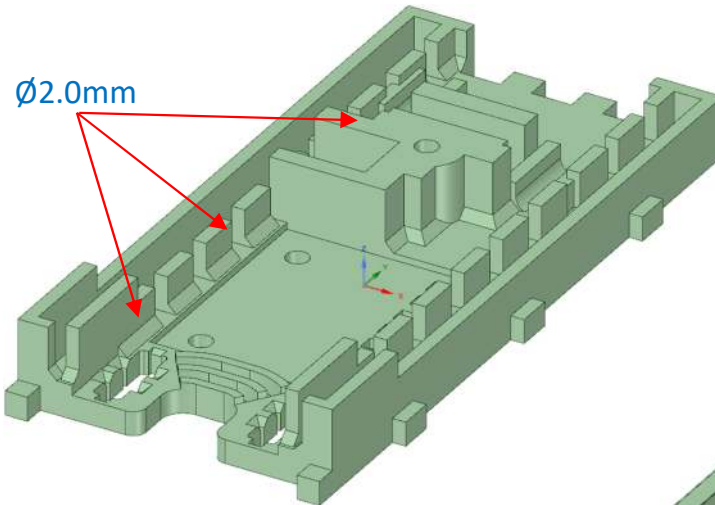
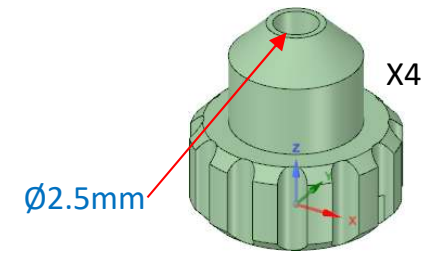


This shows clearance and pilot drill sizes for parts with holes.

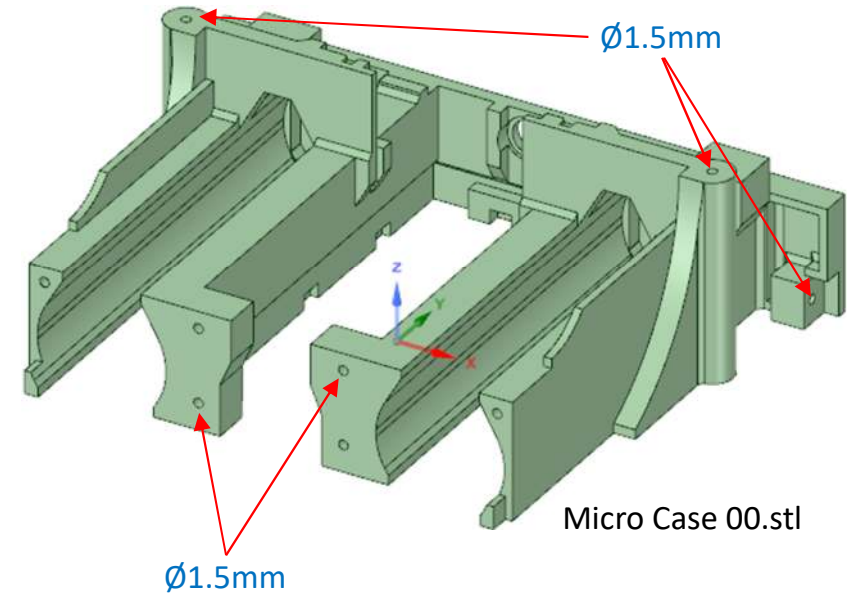
IR Mount Plate 00.stl



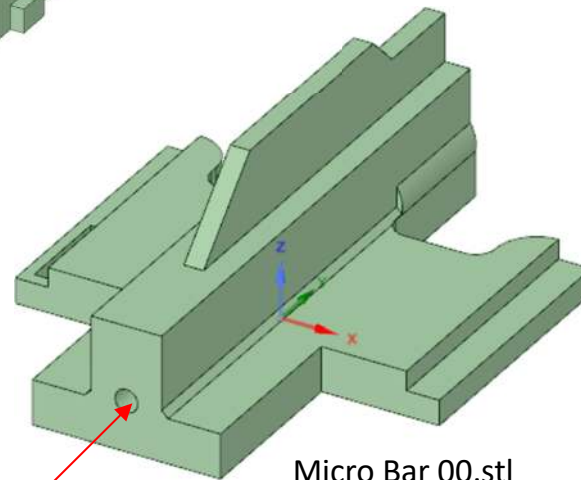
M3 Nut 00.stl



Micro Plate 00.stl



Micro Case 00.stl

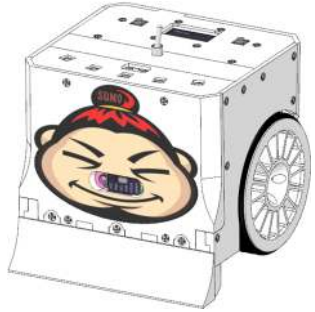


Micro Bar 00.stl

Models are not to scale

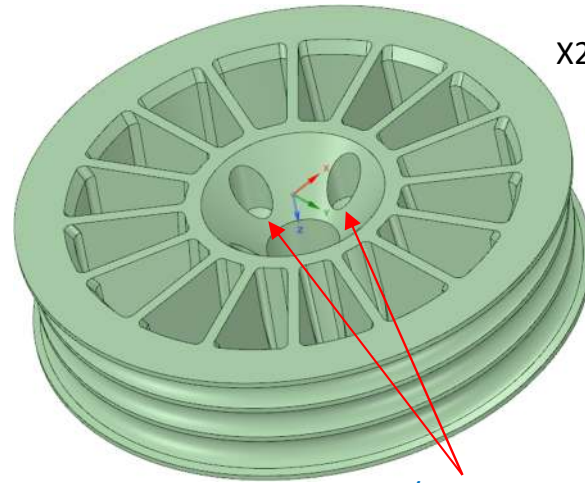
Ø1.5mm

Drill Sizes



This shows clearance and pilot drill sizes for parts with holes.

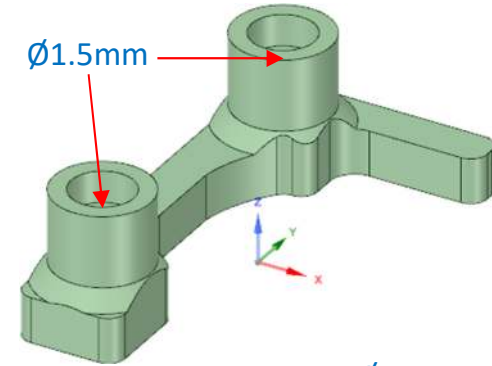
Mini Wheel 00.stl



X2

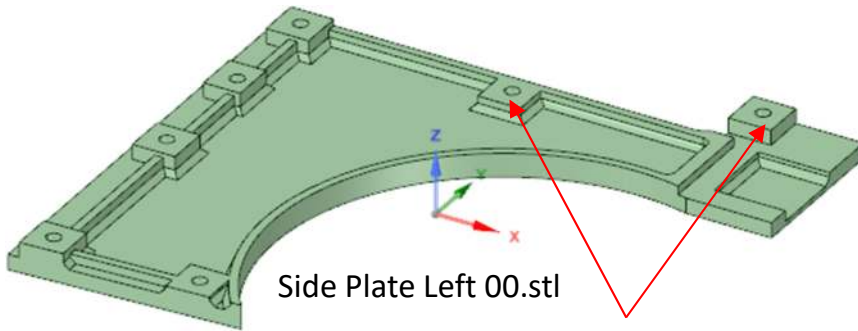
Ø2.0mm

MPU Clamp Plate 00.stl



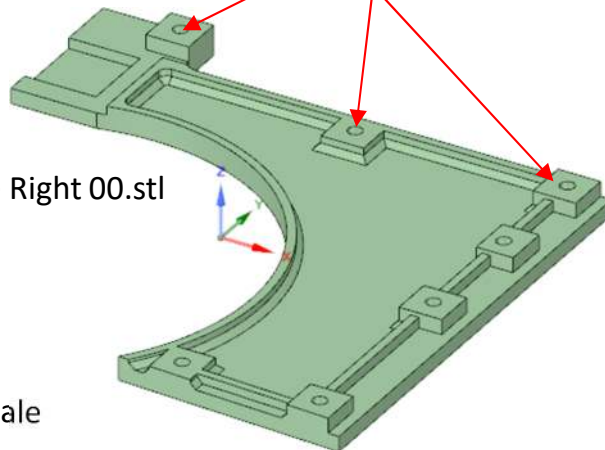
Ø1.5mm

Side Plate Left 00.stl



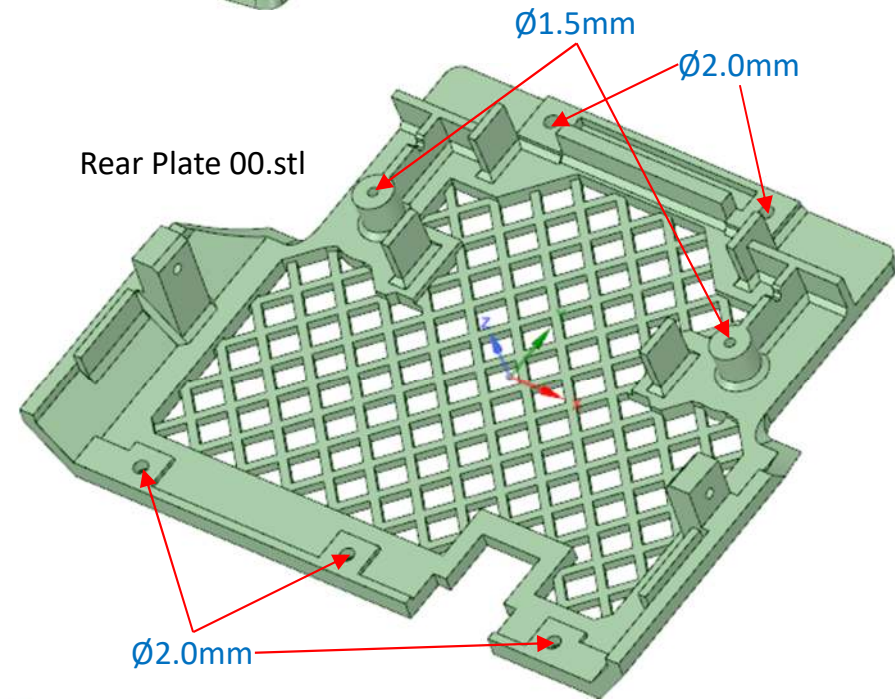
Ø2.0mm

Side Plate Right 00.stl



Ø2.0mm

Rear Plate 00.stl

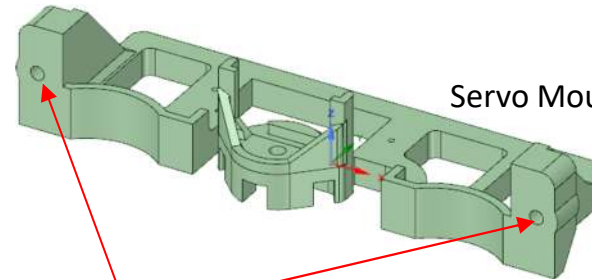


Ø1.5mm

Ø2.0mm

Ø2.0mm

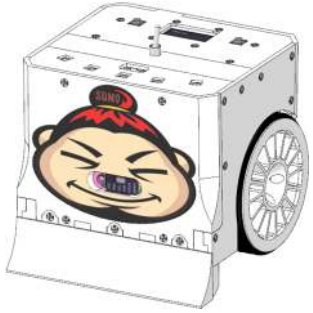
Servo Mount 00.stl



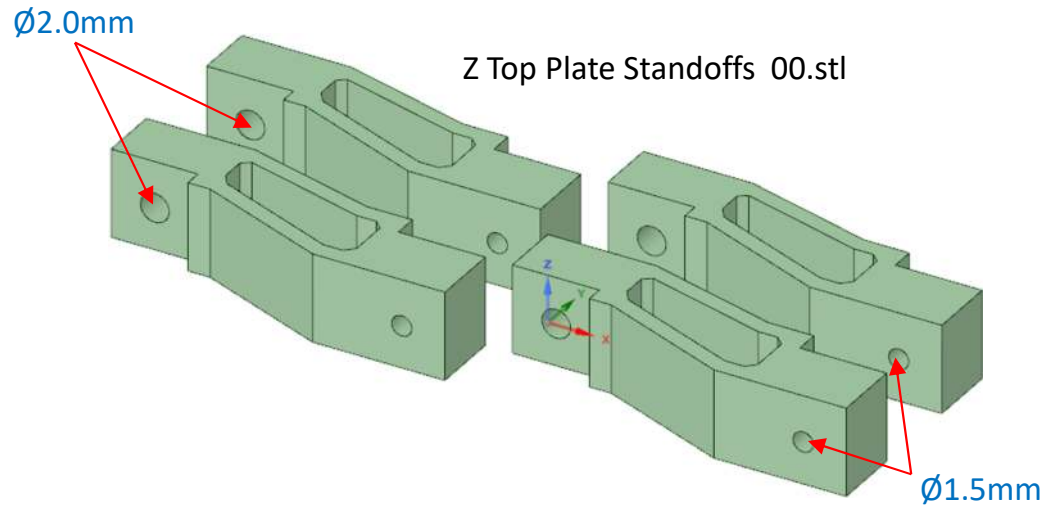
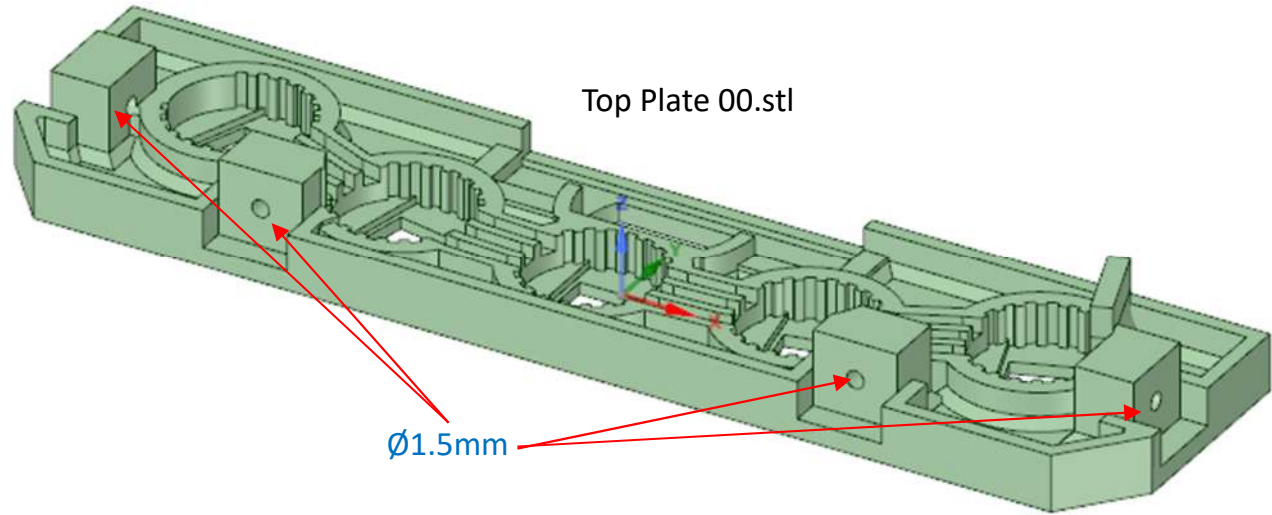
Ø2.0mm

Models are not to scale

Drill Sizes



This shows clearance and pilot drill sizes for parts with holes.



Models are not to scale