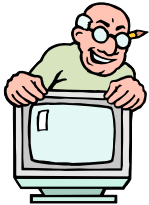
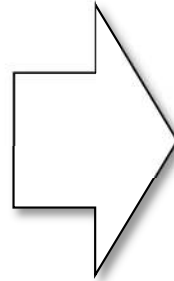
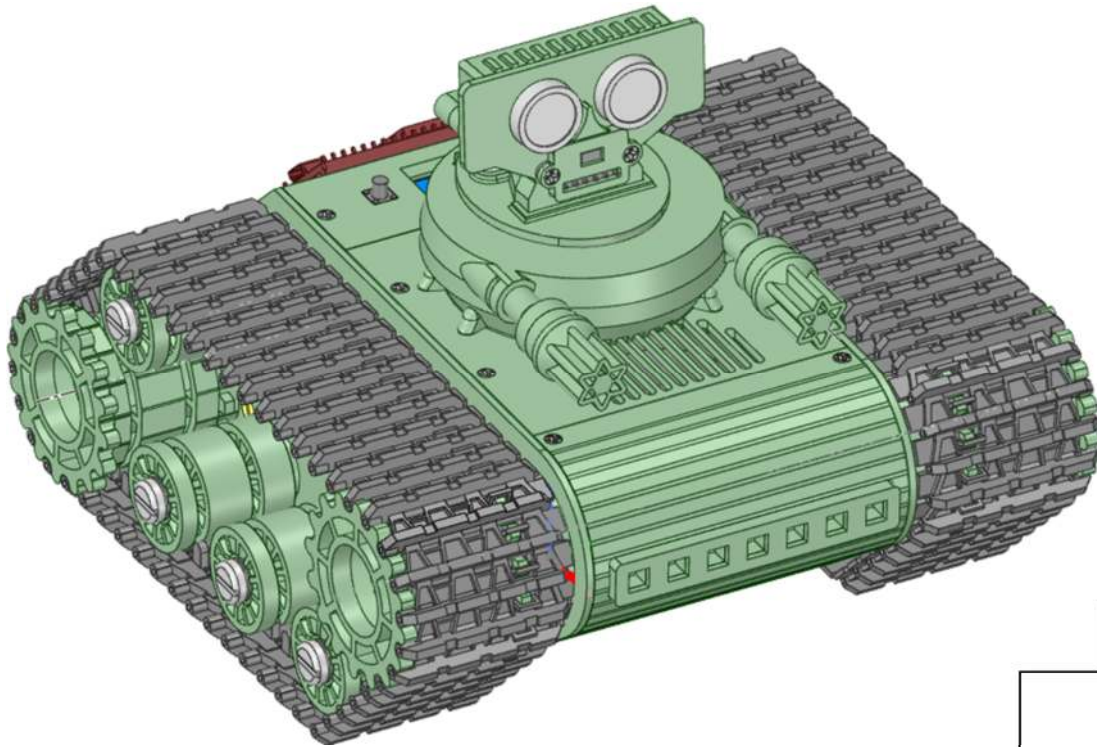


TankBot Mk1

3D Parts



Construction - Tools:

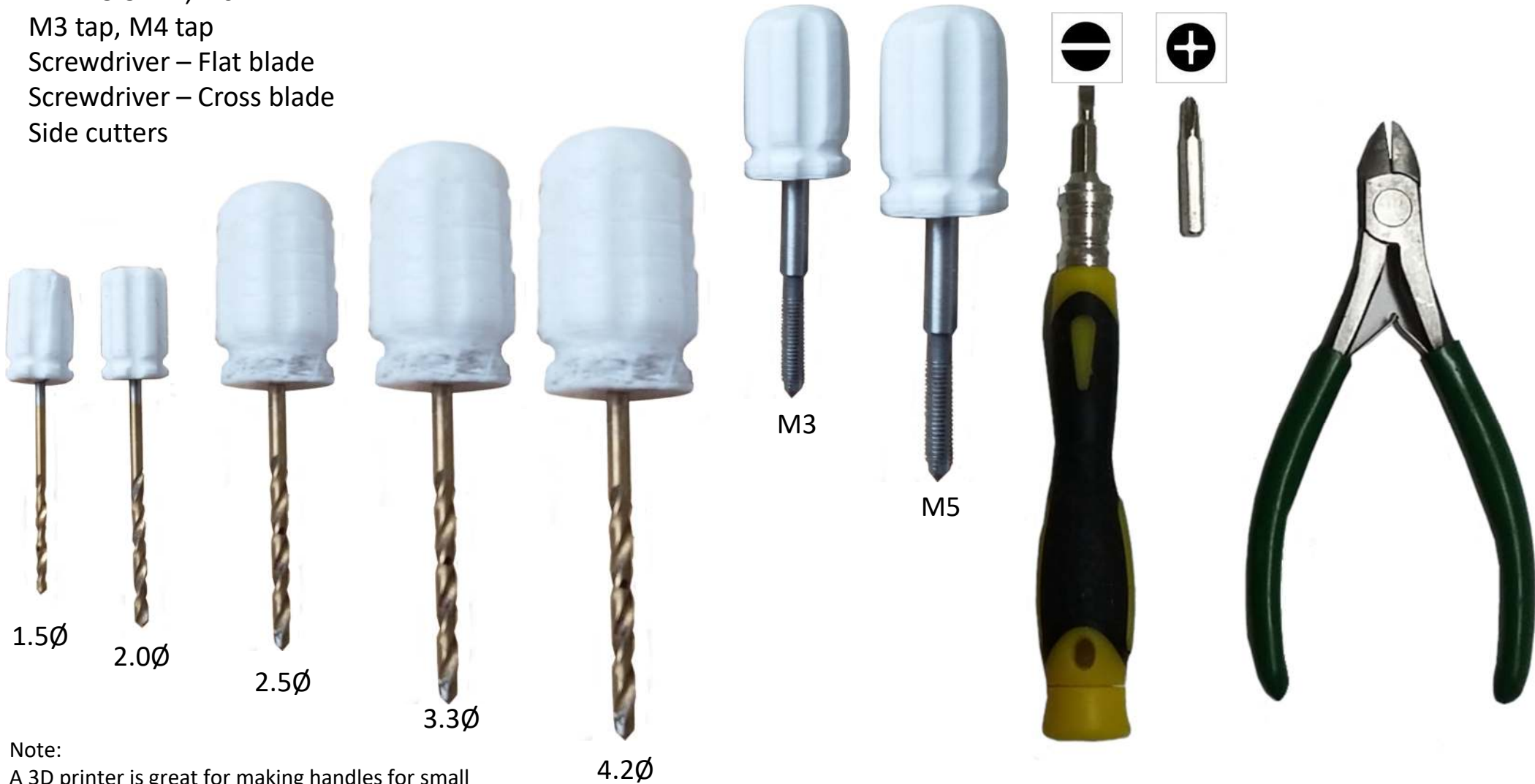
Drills: 1.5mm, 2.0mm, 2.5mm,
3.3mm, 4.0mm

M3 tap, M4 tap

Screwdriver – Flat blade

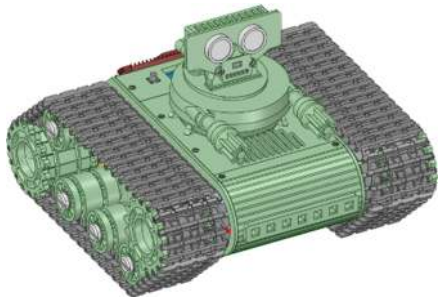
Screwdriver – Cross blade

Side cutters



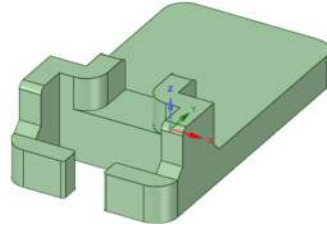
Note:
A 3D printer is great for making handles for small
drills and taps.

Printed Parts

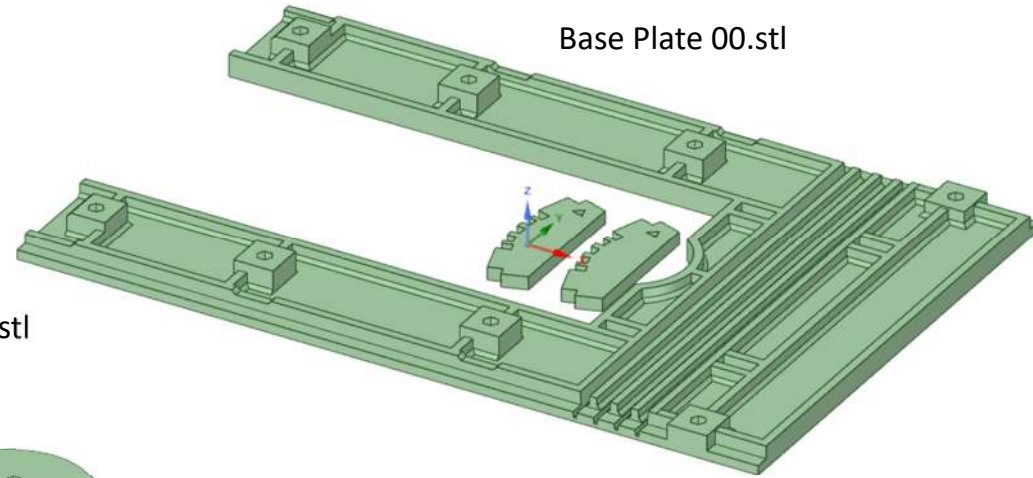


This should help you identify all of the parts needed to build the robot.

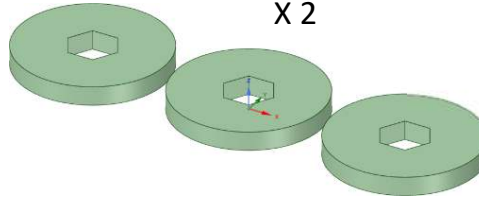
Audio Amp Connector 00.stl



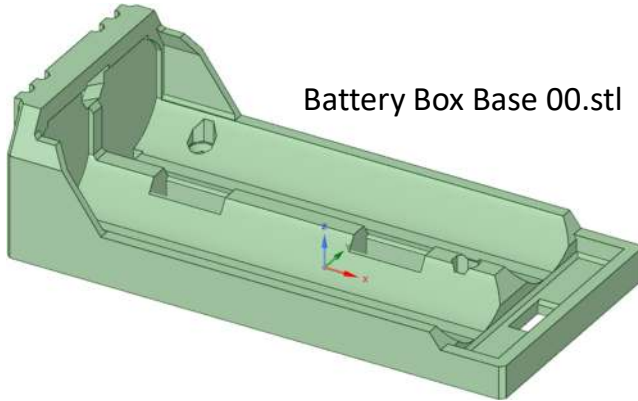
Base Plate 00.stl



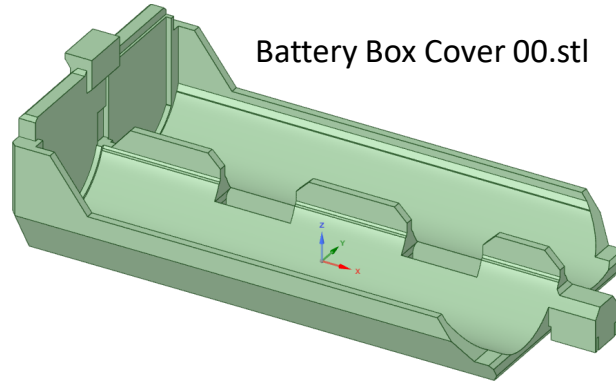
Axle Bushes 00.stl
X 2



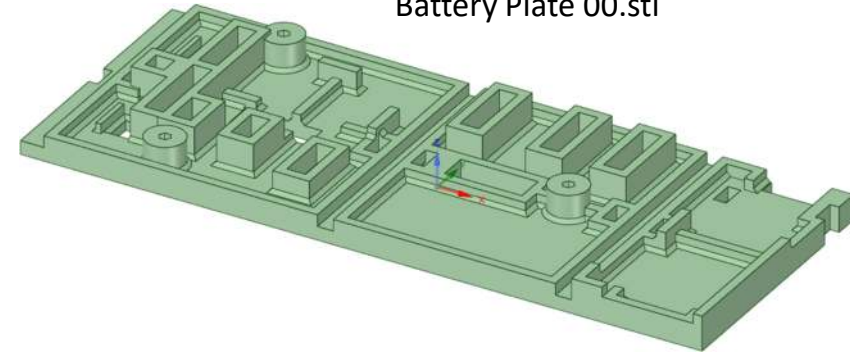
Battery Box Base 00.stl



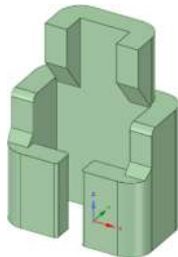
Battery Box Cover 00.stl



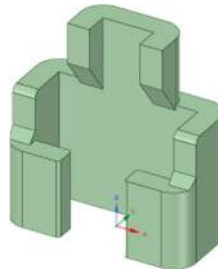
Battery Plate 00.stl



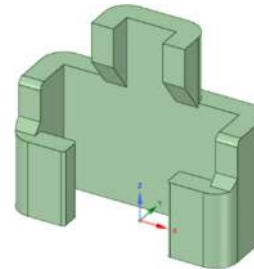
Socket 2 Pin.stl



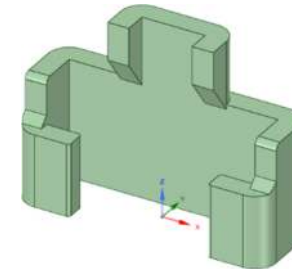
Socket 3 Pin.stl



Socket 4 Pin.stl

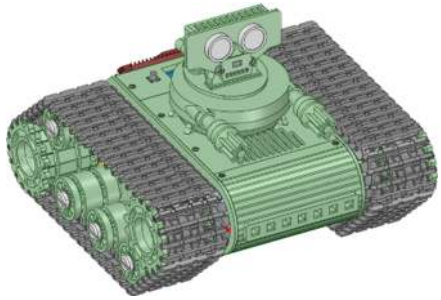


Socket 5 Pin.stl

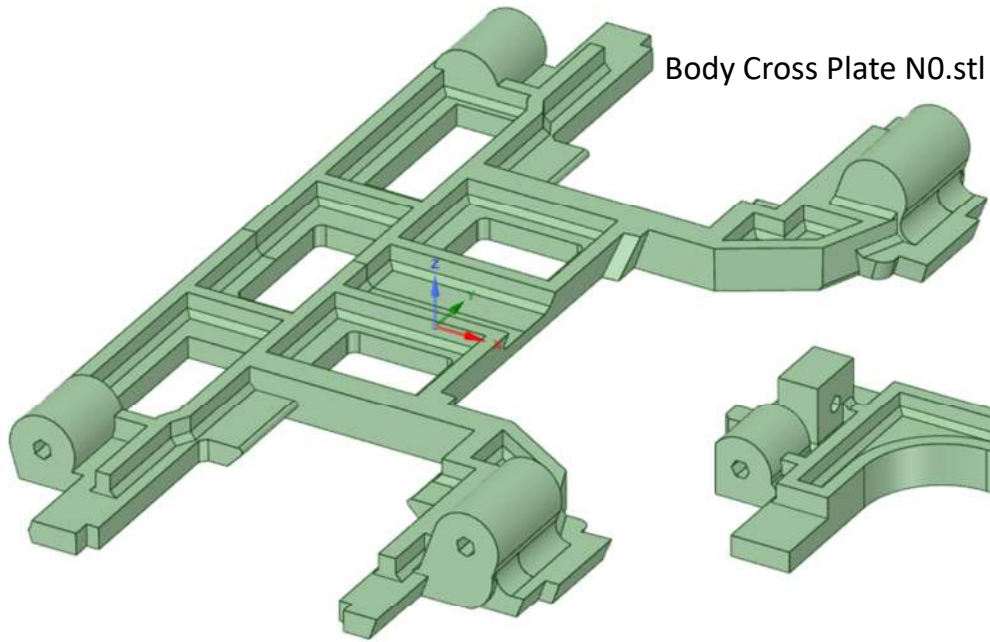


Images are not to scale

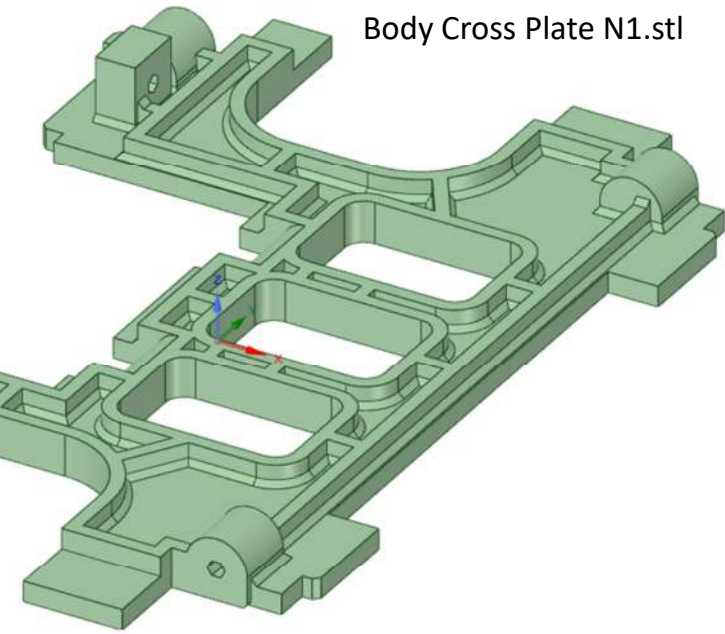
Printed Parts



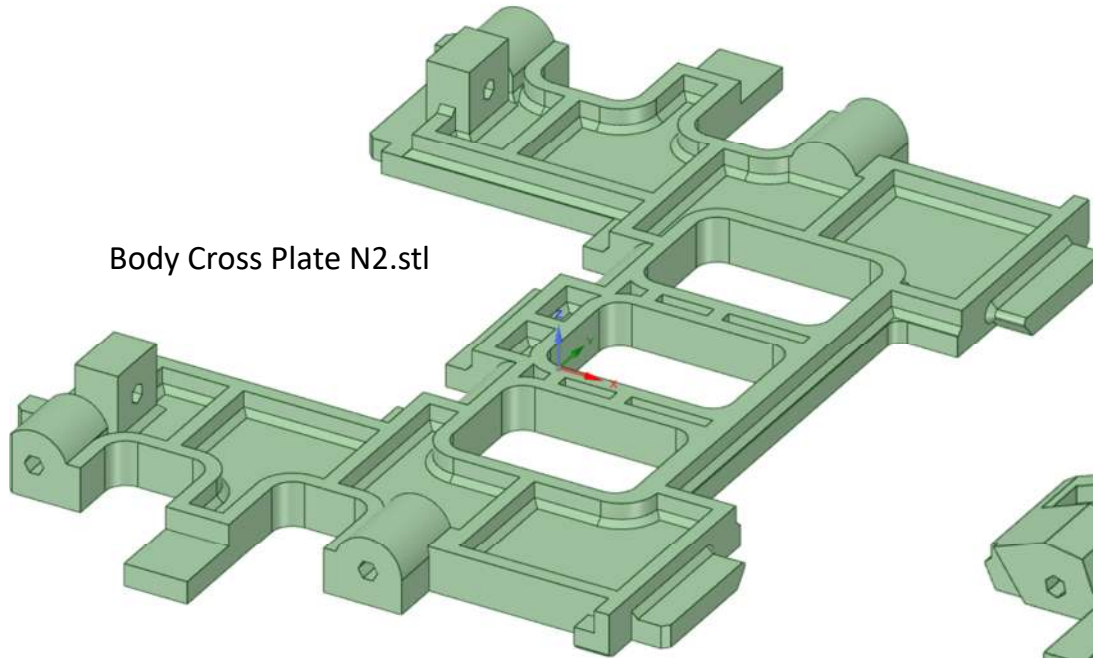
This should help you identify all of the parts needed to build the robot.



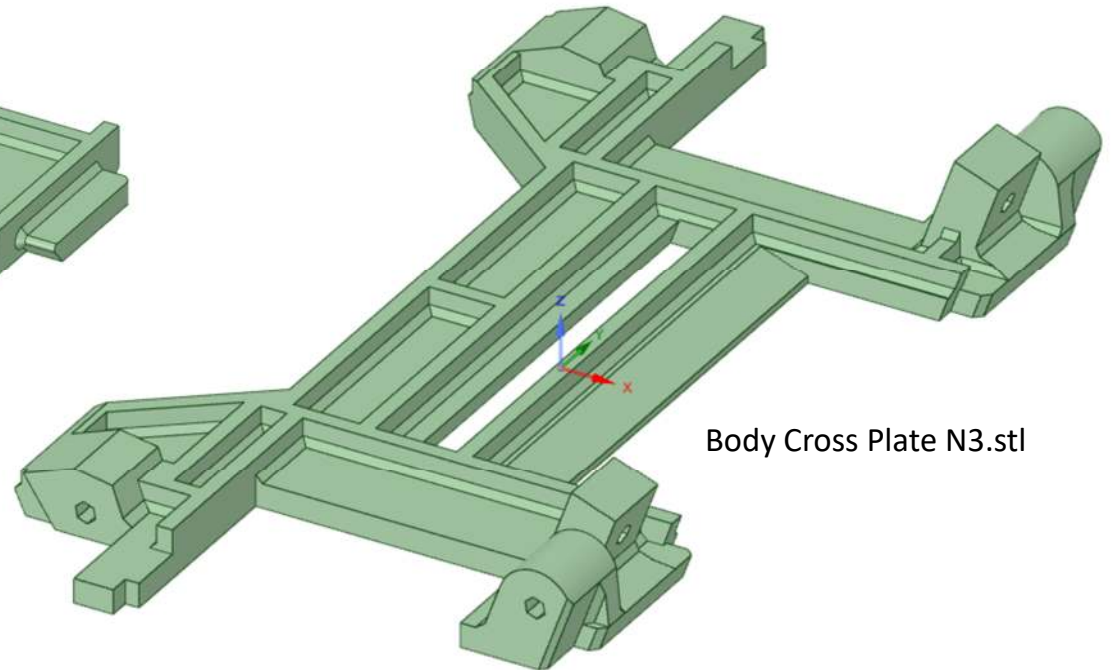
Body Cross Plate N0.stl



Body Cross Plate N1.stl



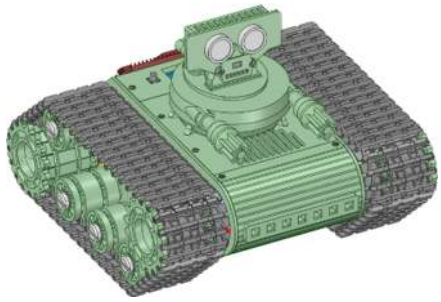
Body Cross Plate N2.stl



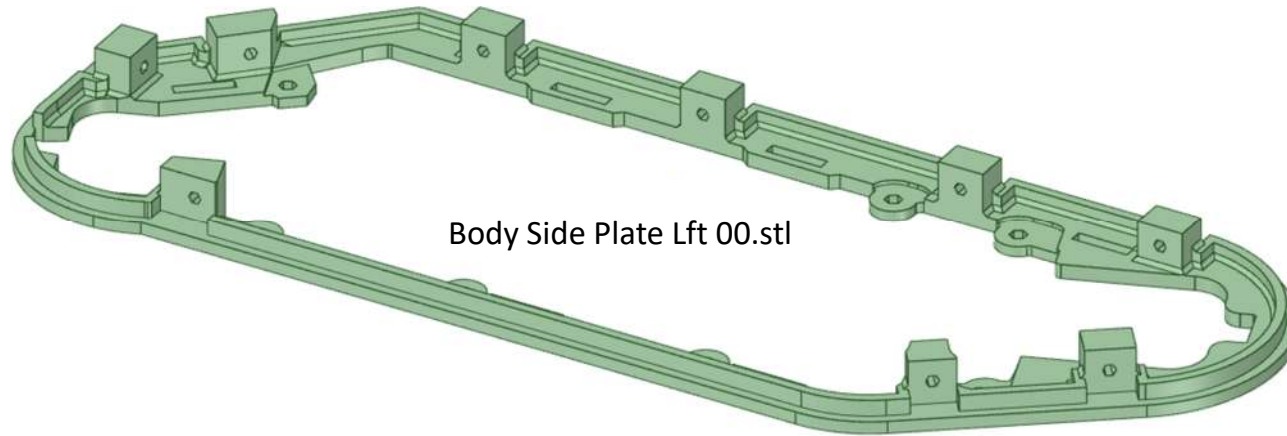
Body Cross Plate N3.stl

Images are not to scale

Printed Parts

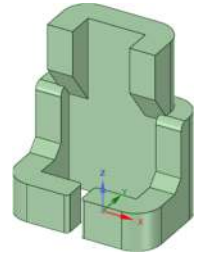


This should help you identify all of the parts needed to build the robot.

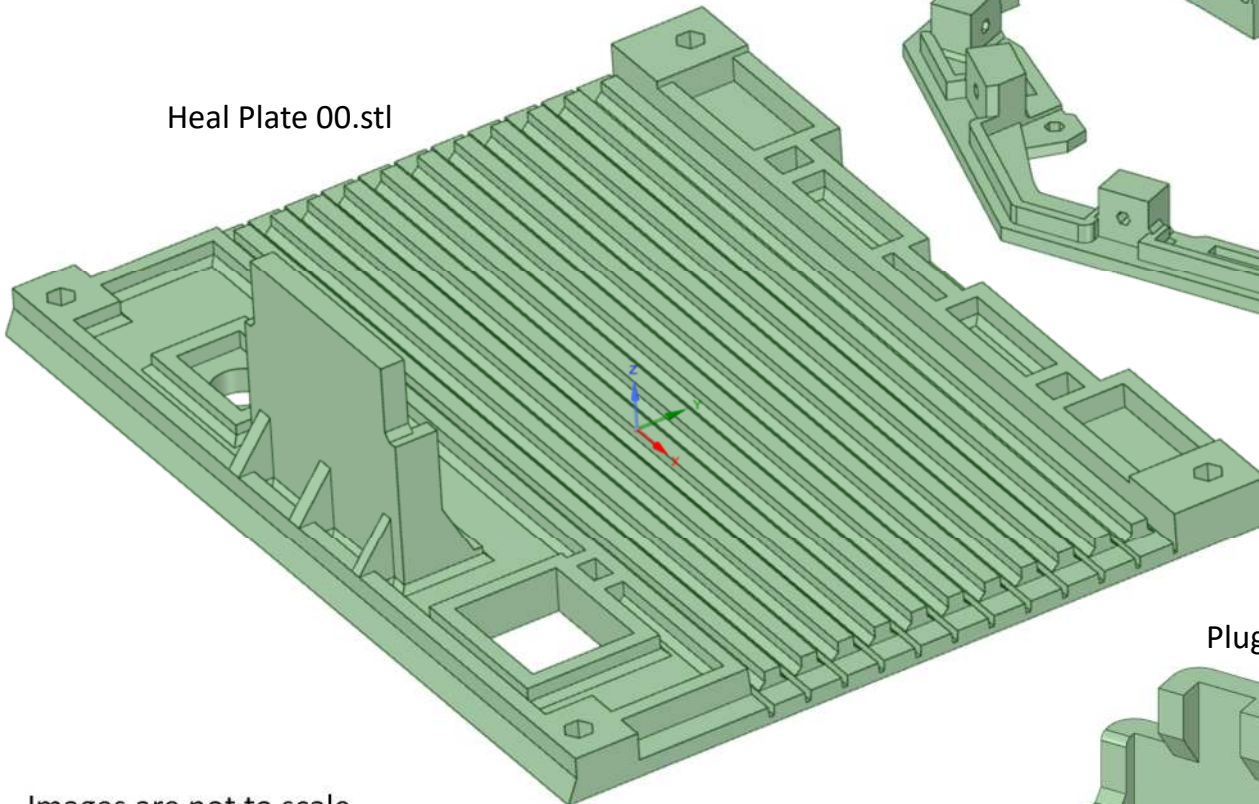
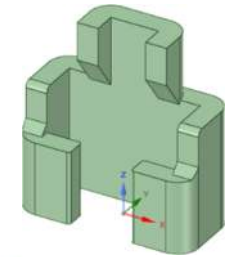


Body Side Plate Lft 00.stl

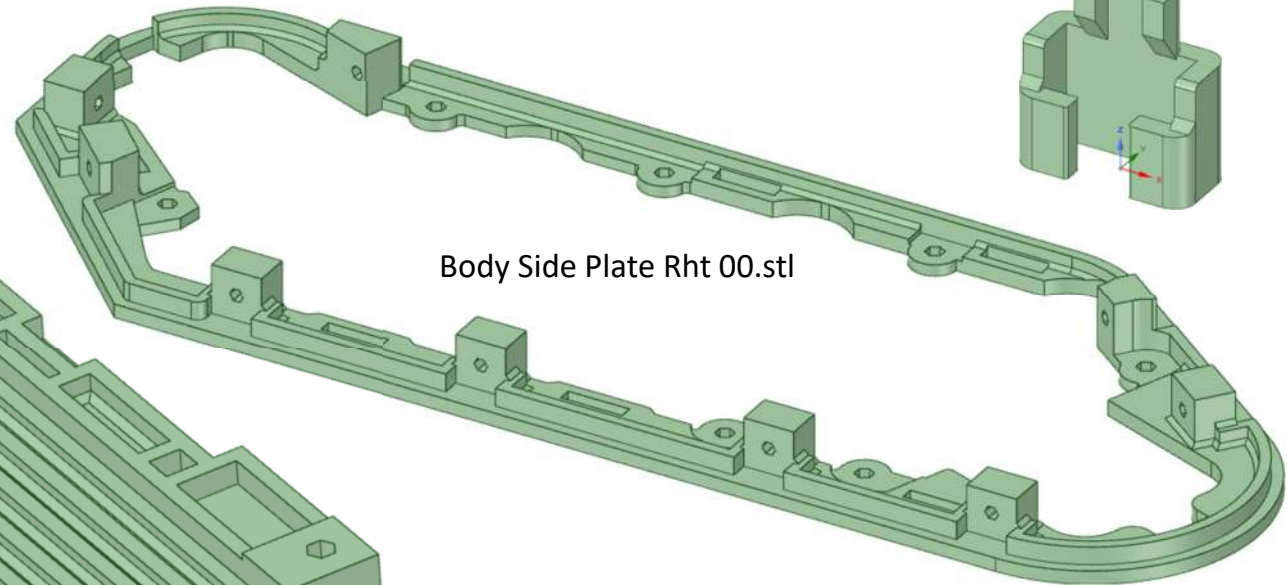
Plug 2 pin.stl



Plug 3 pin.stl

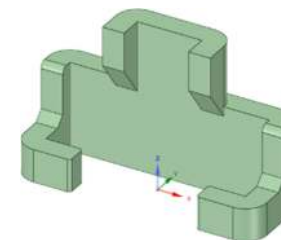


Heal Plate 00.stl

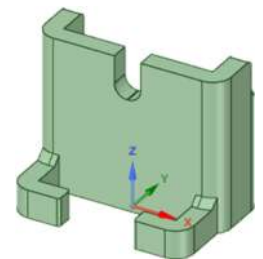


Body Side Plate Rht 00.stl

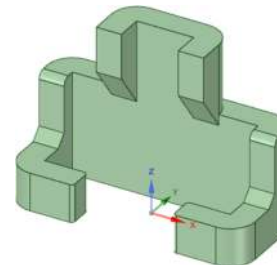
Plug 5 pin.stl



Power Plugs 00.stl

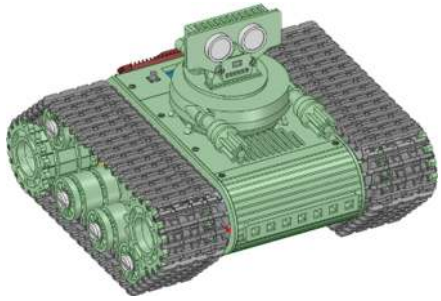


Plug 4 pin.stl



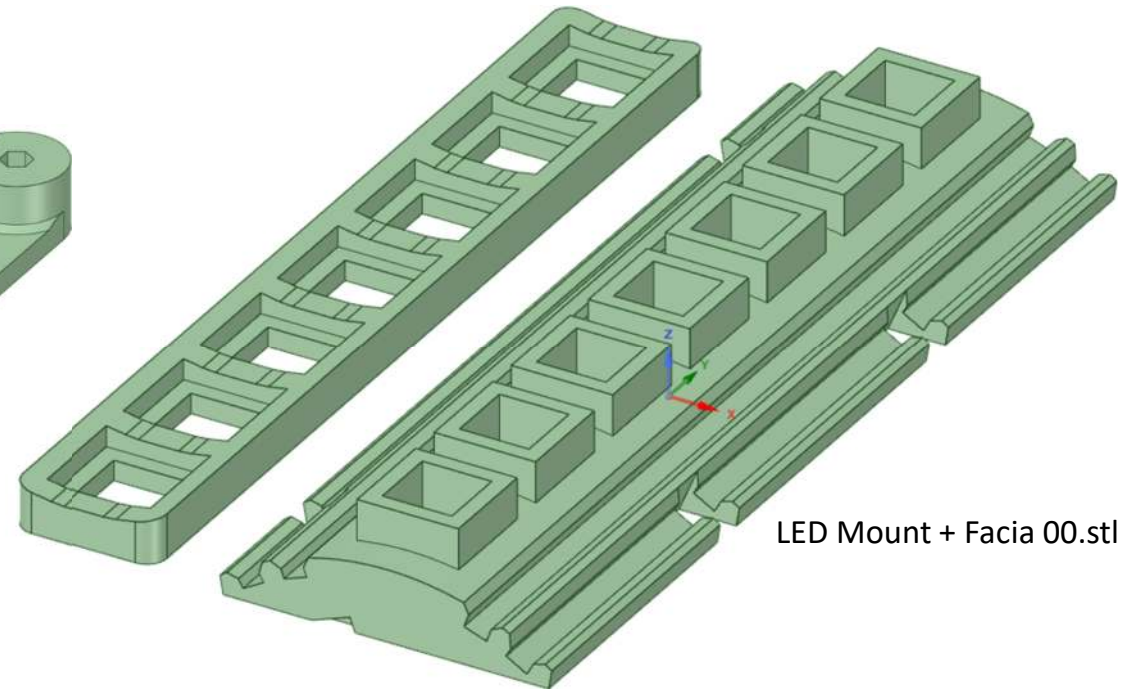
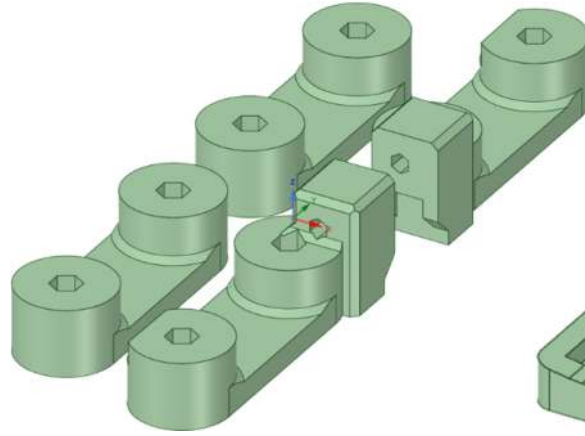
Images are not to scale

Printed Parts



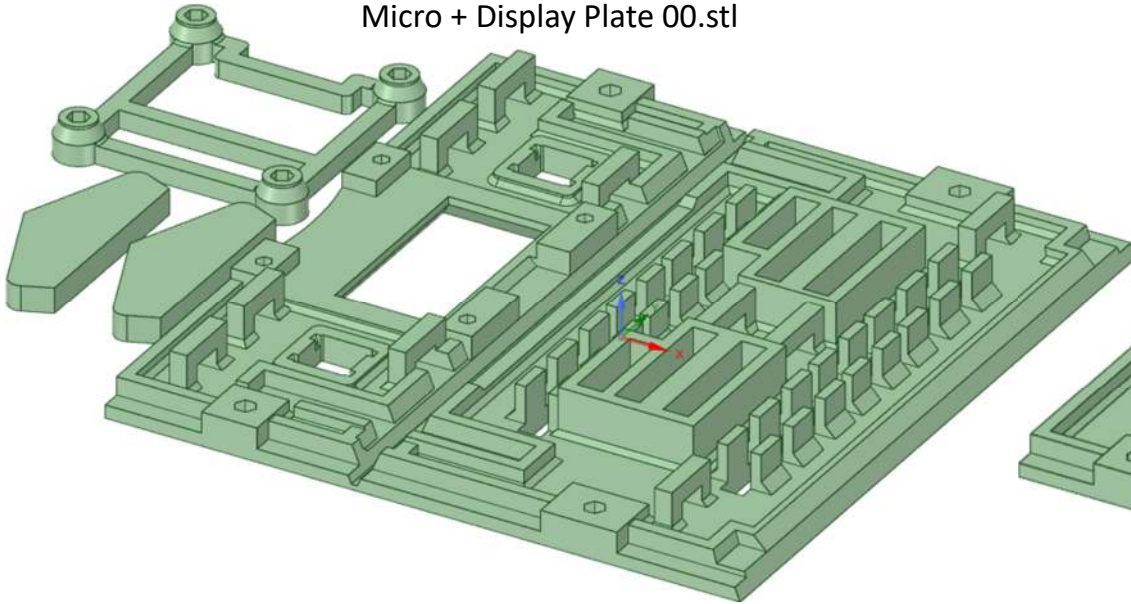
This should help you identify all of the parts needed to build the robot.

Motor Strap 00.stl

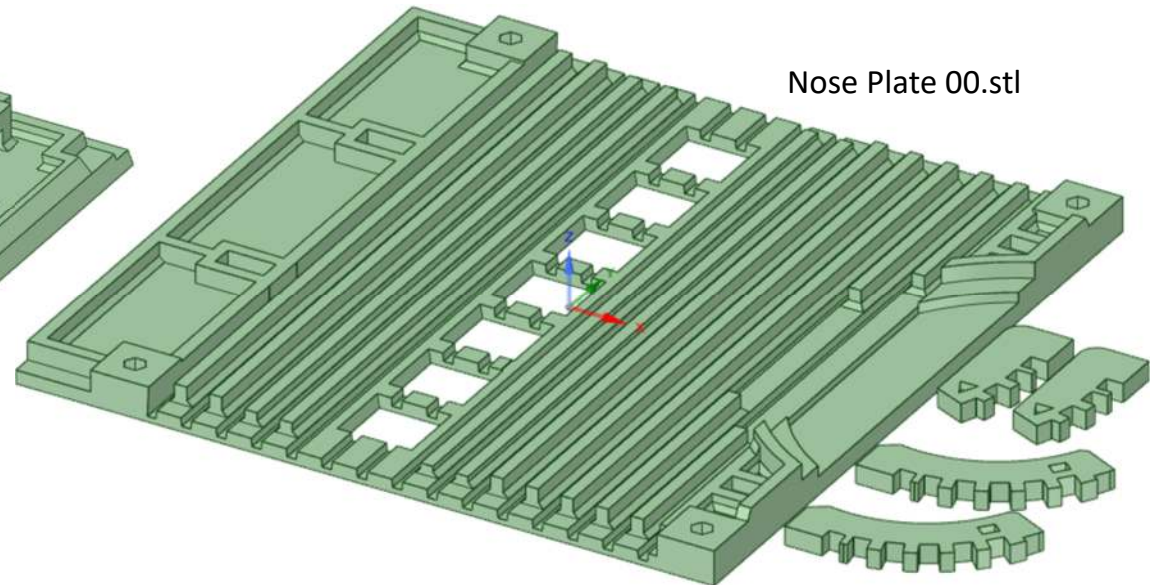


LED Mount + Facia 00.stl

Micro + Display Plate 00.stl

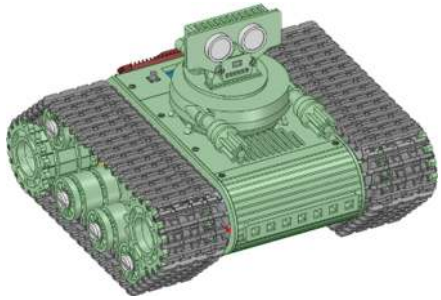


Nose Plate 00.stl



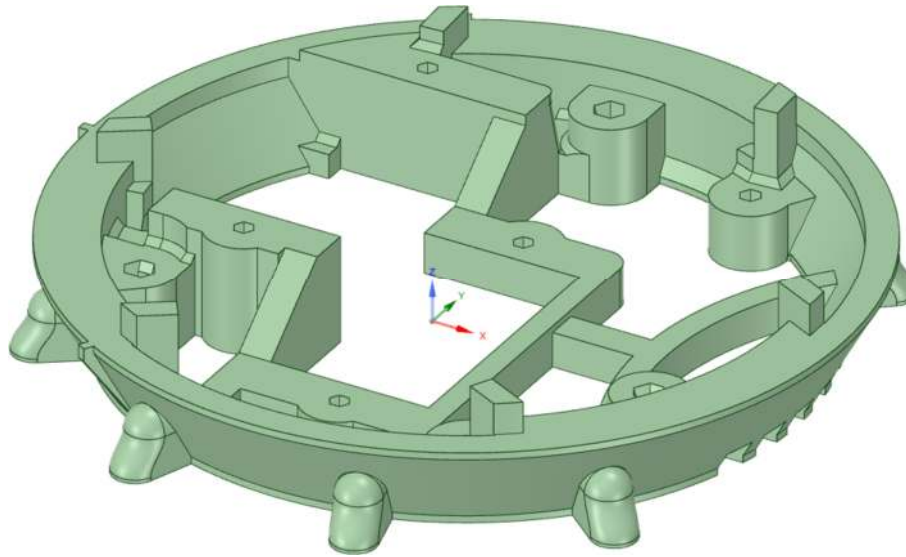
Images are not to scale

Printed Parts

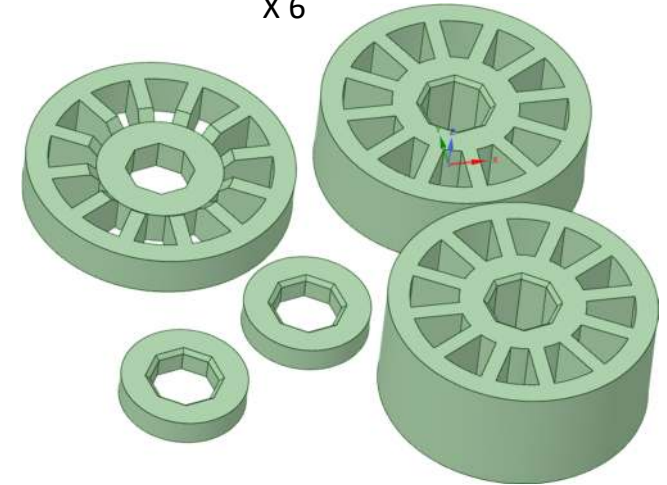


This should help you identify all of the parts needed to build the robot.

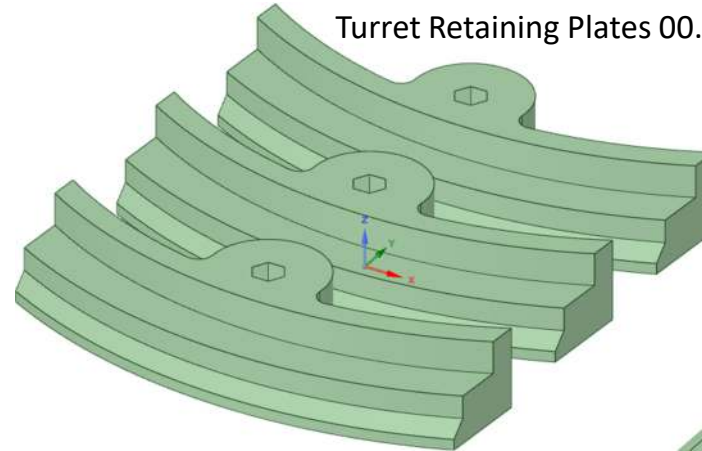
Race Ring 00.stl



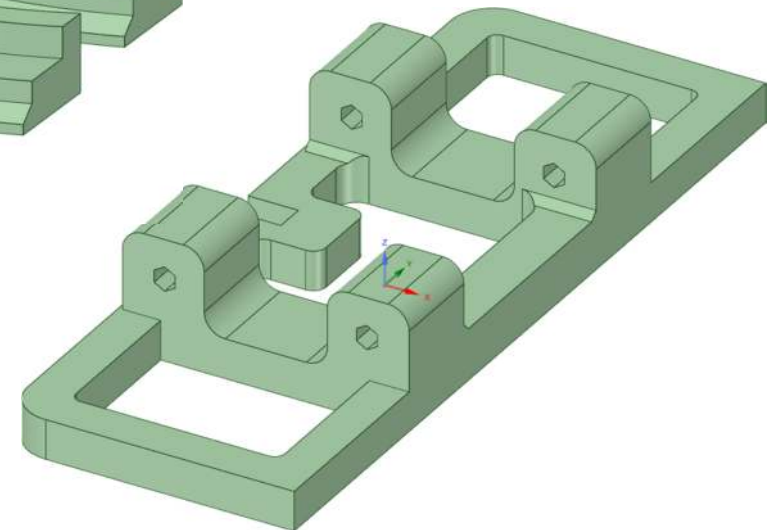
Roller Set 00.stl
X 6



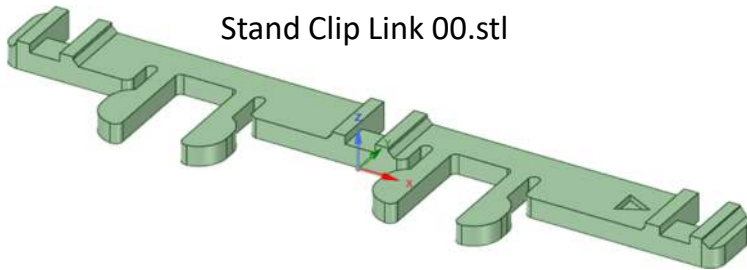
Turret Retaining Plates 00.stl



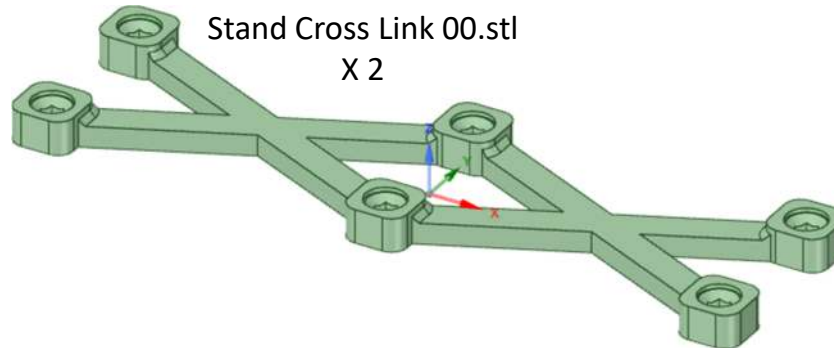
Stand Leg 00.stl
X 3



Stand Clip Link 00.stl

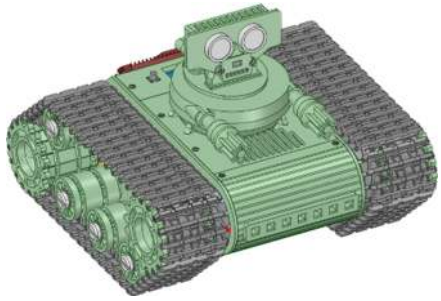


Stand Cross Link 00.stl
X 2



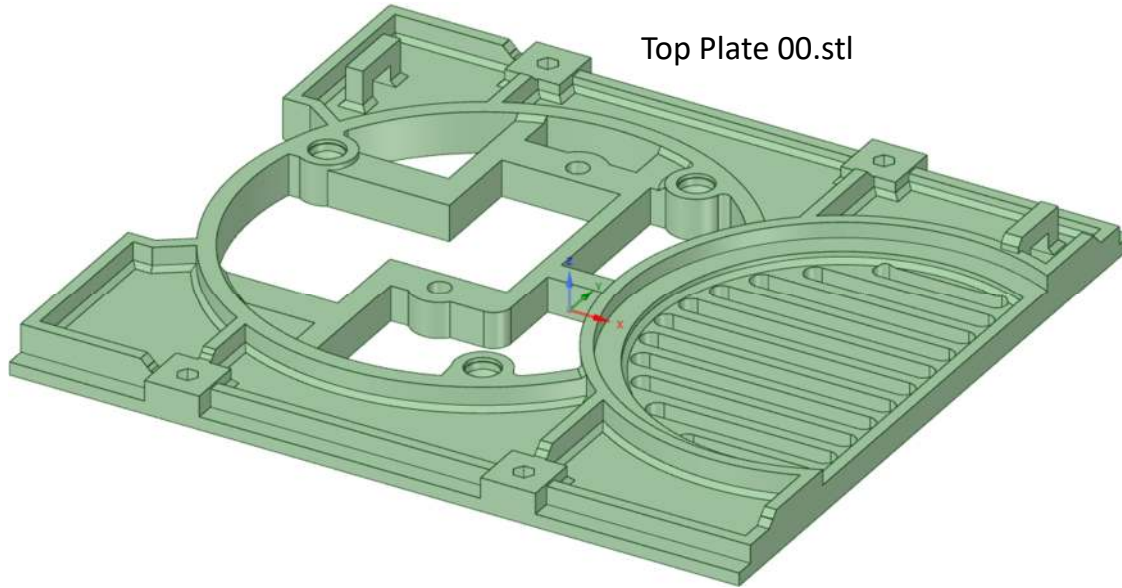
Images are not to scale

Printed Parts

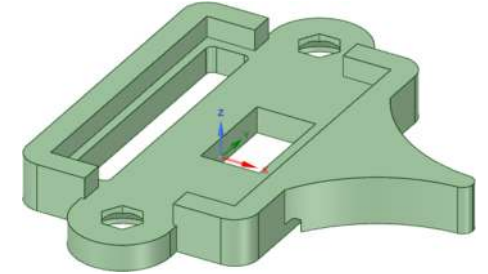


This should help you identify all of the parts needed to build the robot.

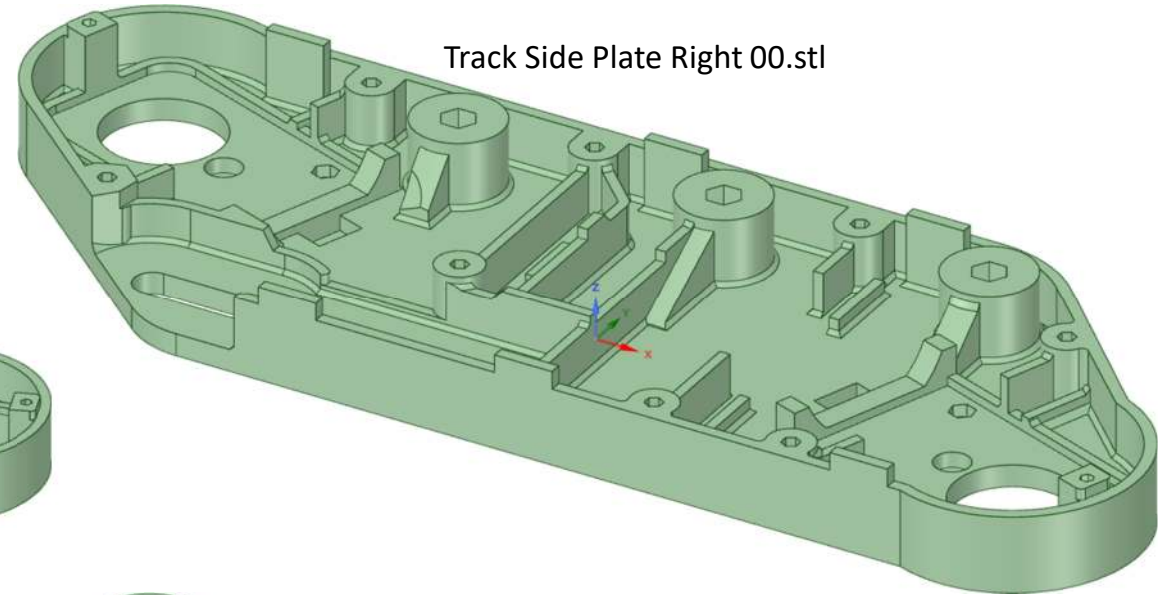
Top Plate 00.stl



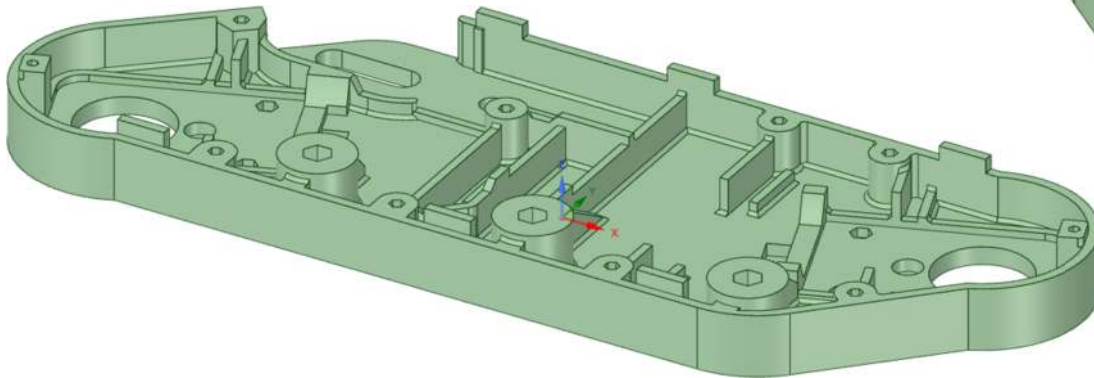
Turret Nose 00.stl



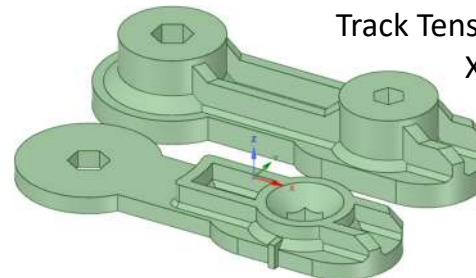
Track Side Plate Right 00.stl



Track Side Plate Left 00.stl

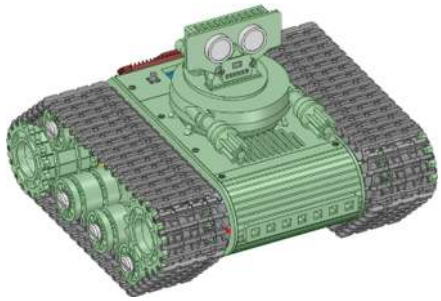


Track Tensioner 00.stl
X 2



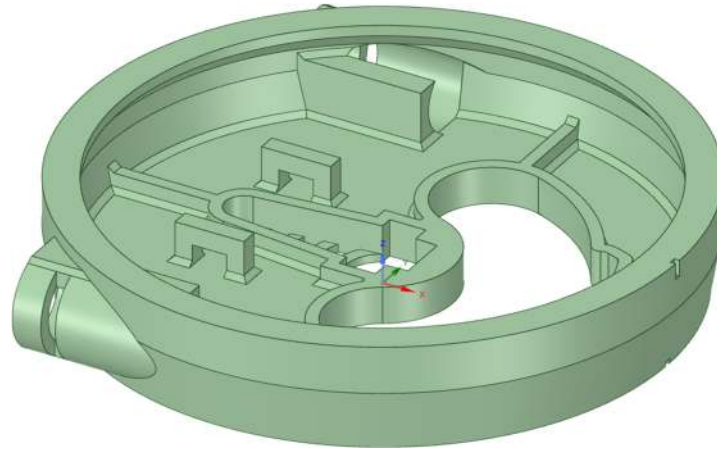
Images are not to scale

Printed Parts

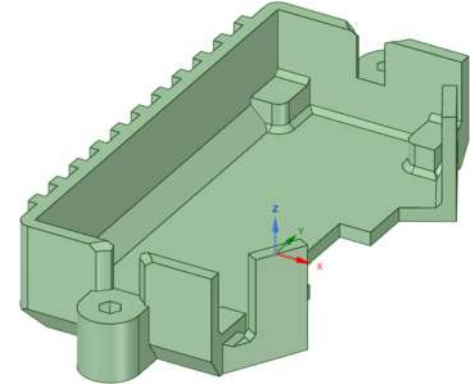


This should help you identify all of the parts needed to build the robot.

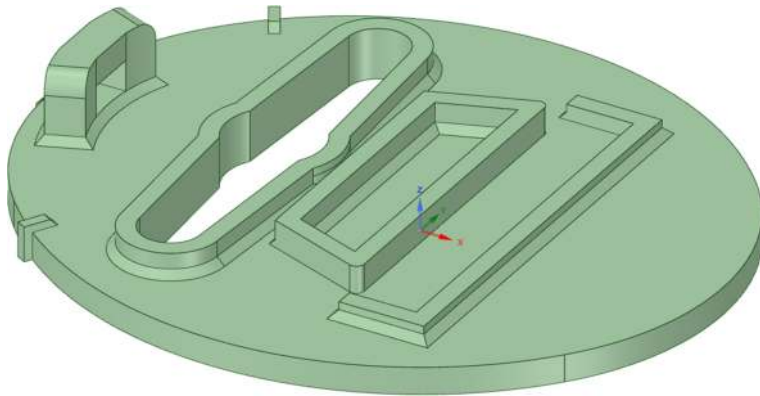
Turret Round Plate 00.stl



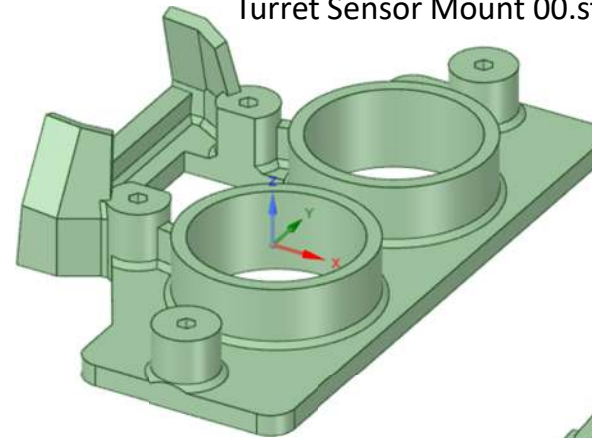
Turret Sensor Cover 00.stl



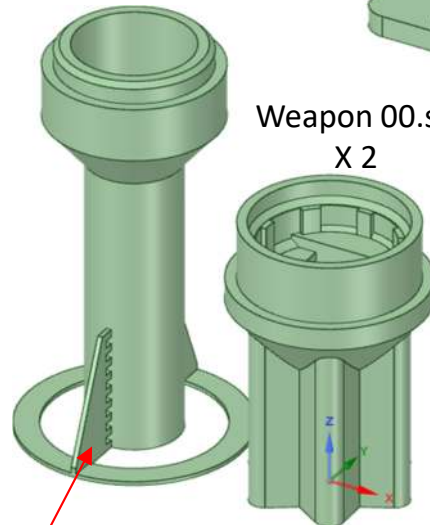
Turret Sensor Plate 00.stl



Turret Sensor Mount 00.stl

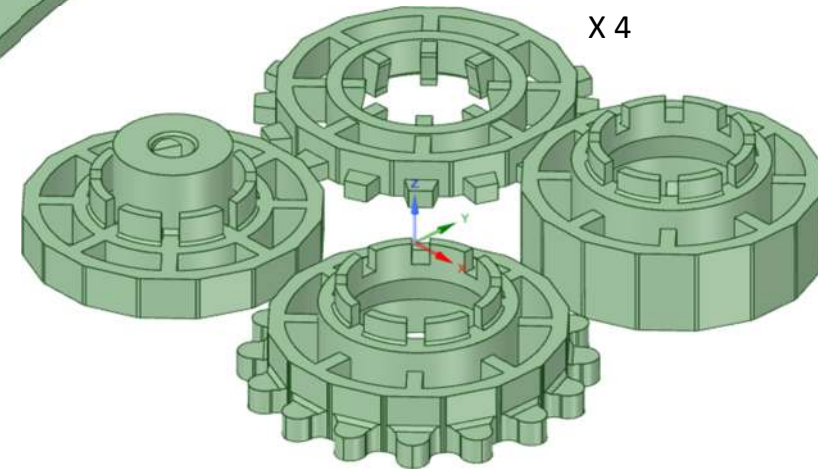


Weapon 00.stl
X 2



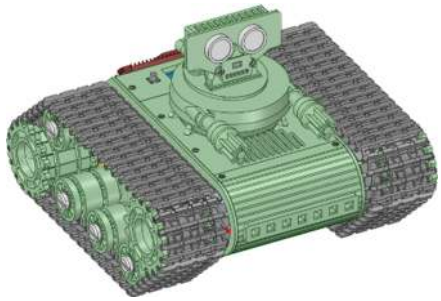
Remove printing support

Wheel Set 00.stl
X 4



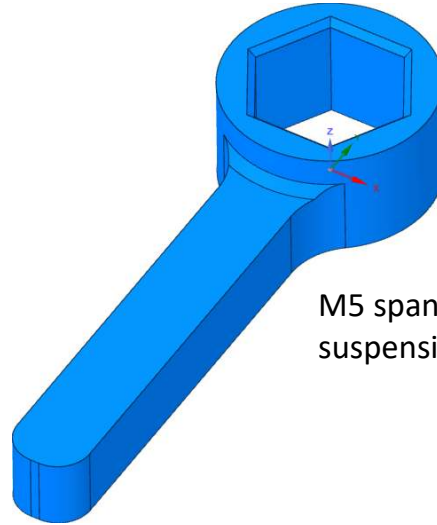
Images are not to scale

Printed Parts



This should help you identify all of the parts needed to build the robot.

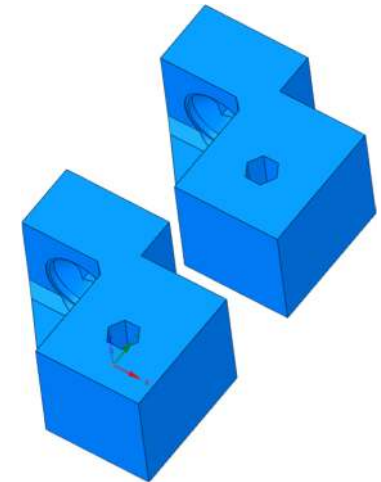
Z – Ring Spanner.stl



M5 spanner, used to tighten suspension nuts.

Blue components are optional assembly aids. Not part of the TankBot Mk1 robot. Use them to make the job easier.

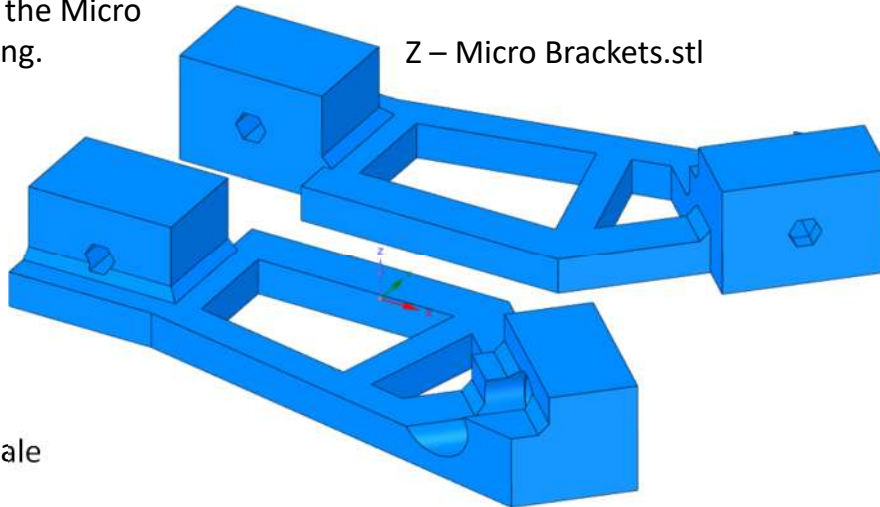
Z – Top Plate Brackets.stl



Used to support the Top Plate during wiring.

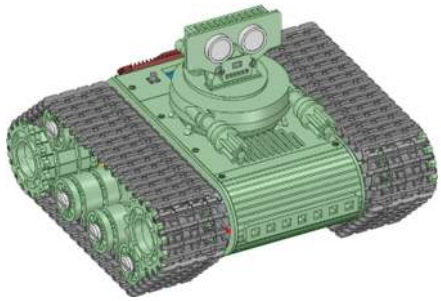
Used to support the Micro Plate during wiring.

Z – Micro Brackets.stl

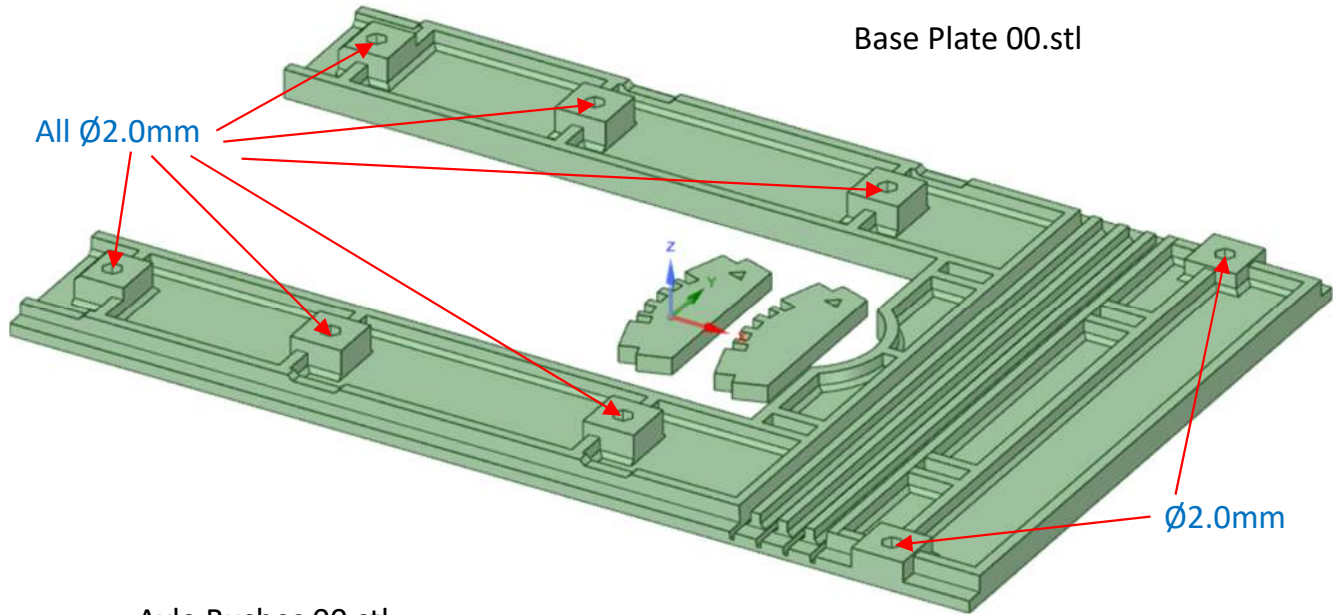


Images are not to scale

Printed Parts



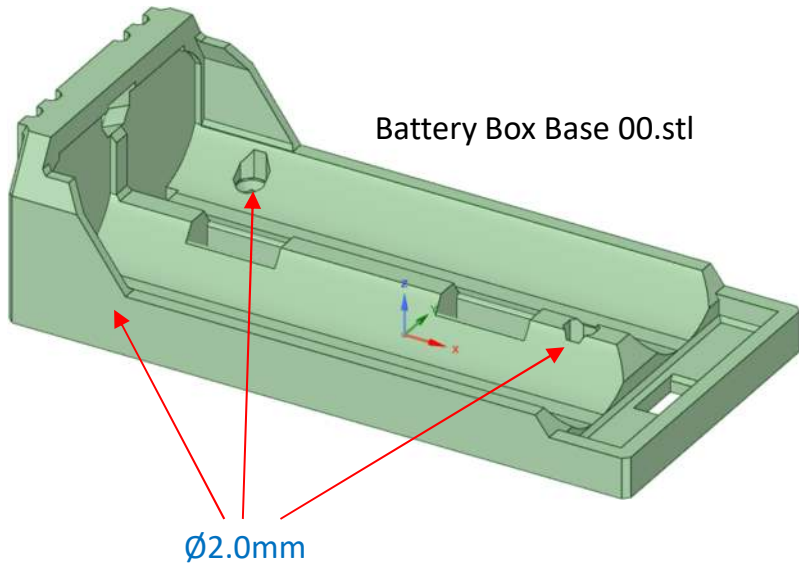
This should help you identify all of the pilot drill and clearance hole sizes.



Base Plate 00.stl

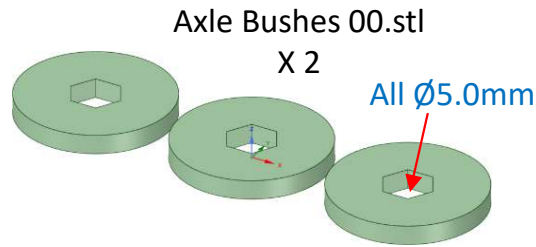
All Ø2.0mm

Ø2.0mm



Battery Box Base 00.stl

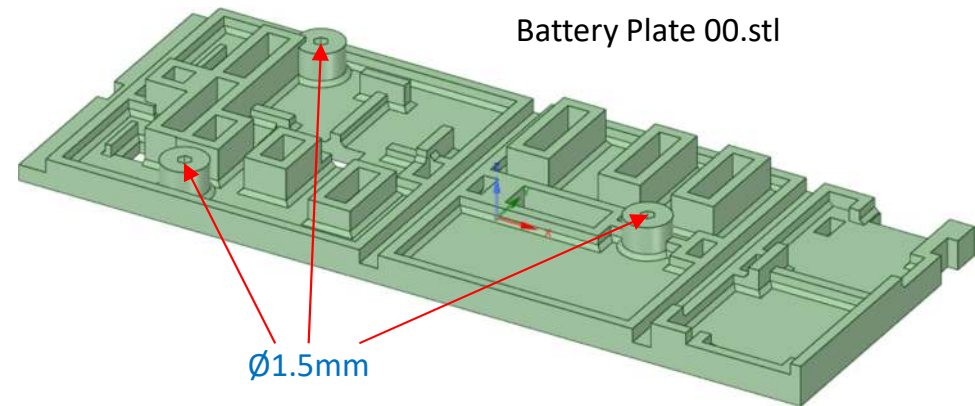
Ø2.0mm



Axle Bushes 00.stl

X 2

All Ø5.0mm

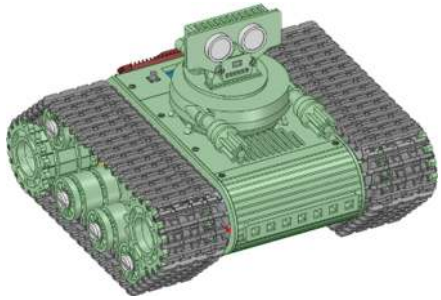


Battery Plate 00.stl

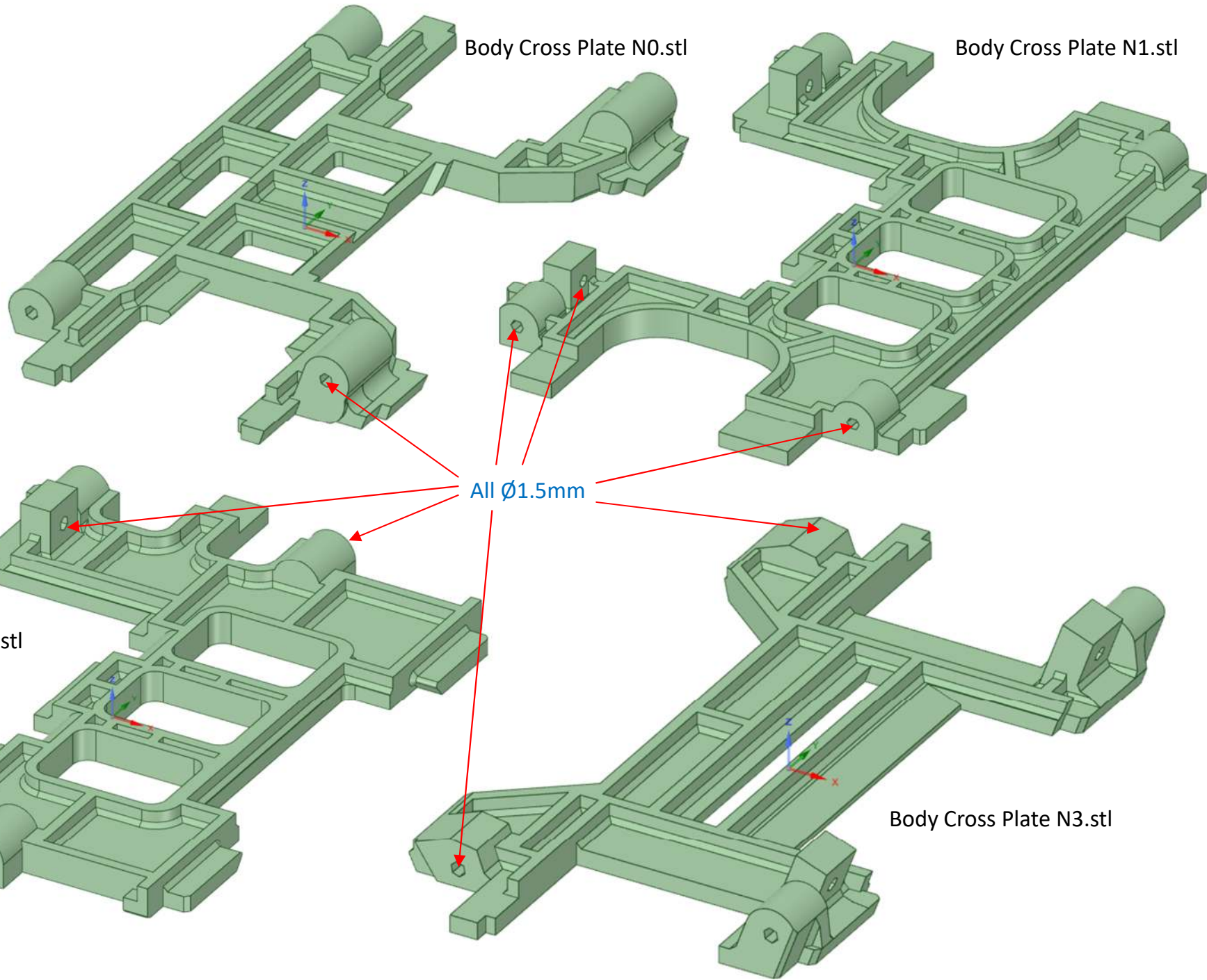
Ø1.5mm

Images are not to scale

Printed Parts

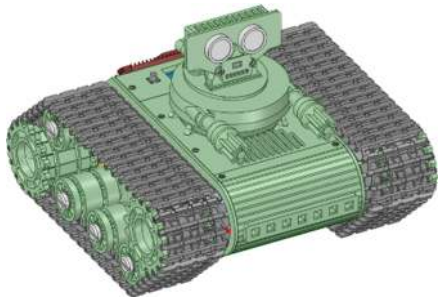


This should help you identify all of the pilot drill and clearance hole sizes.

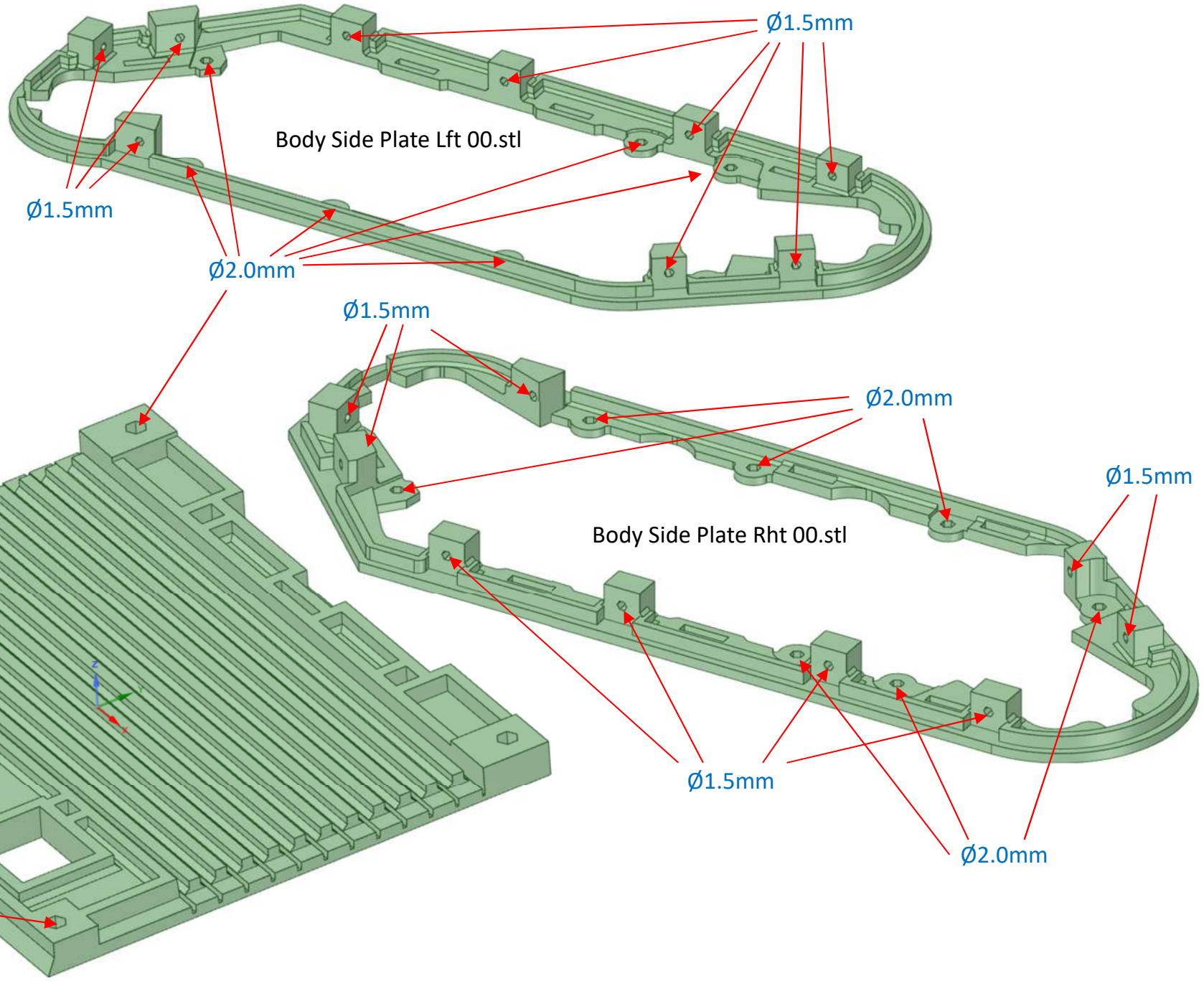


Images are not to scale

Printed Parts

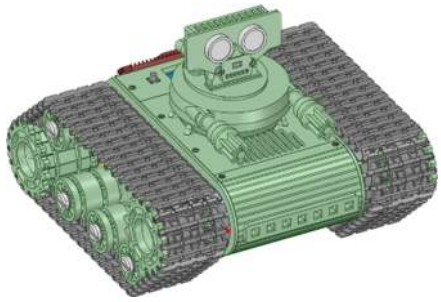


This should help you identify all of the pilot drill and clearance hole sizes.

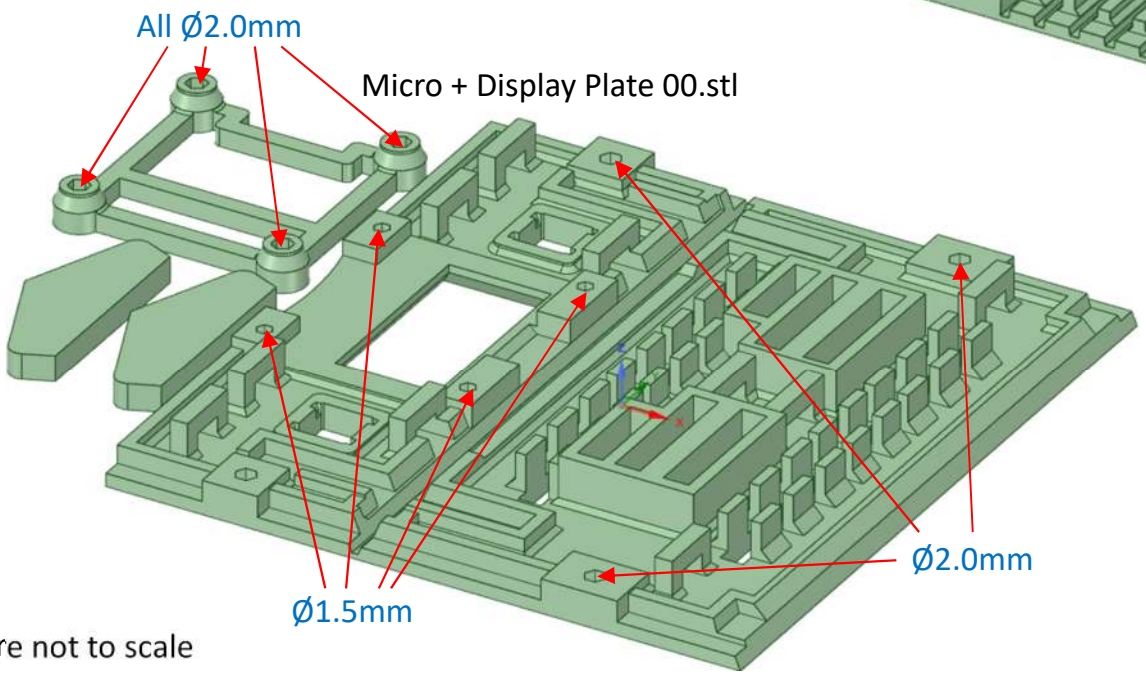
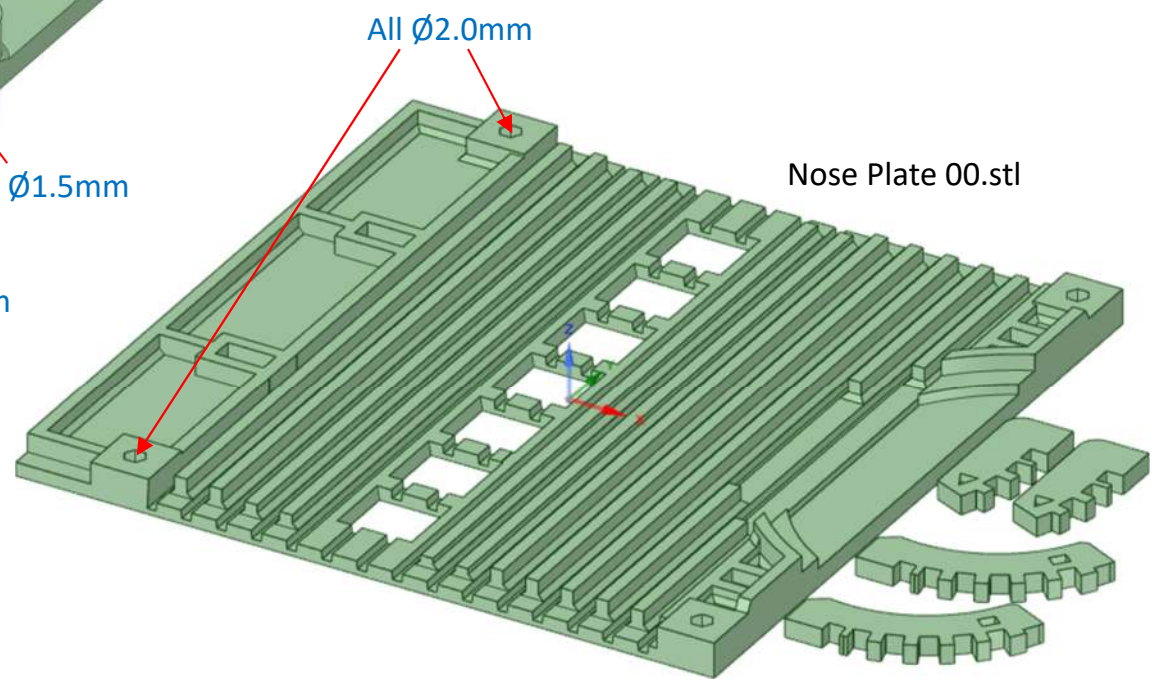
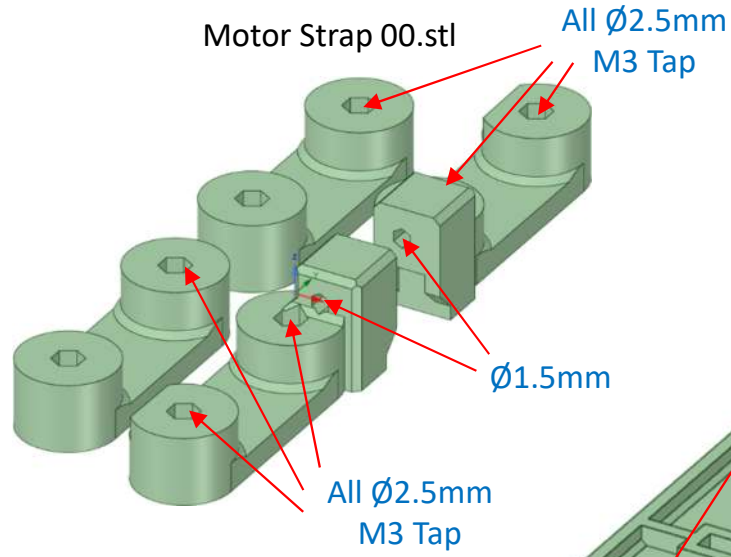


Images are not to scale

Printed Parts

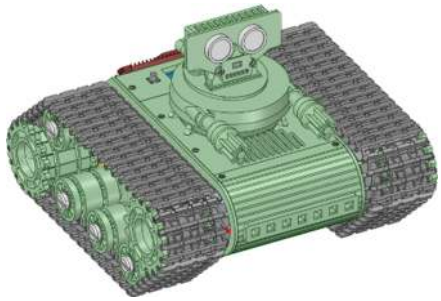


This should help you identify all of the pilot drill and clearance hole sizes.

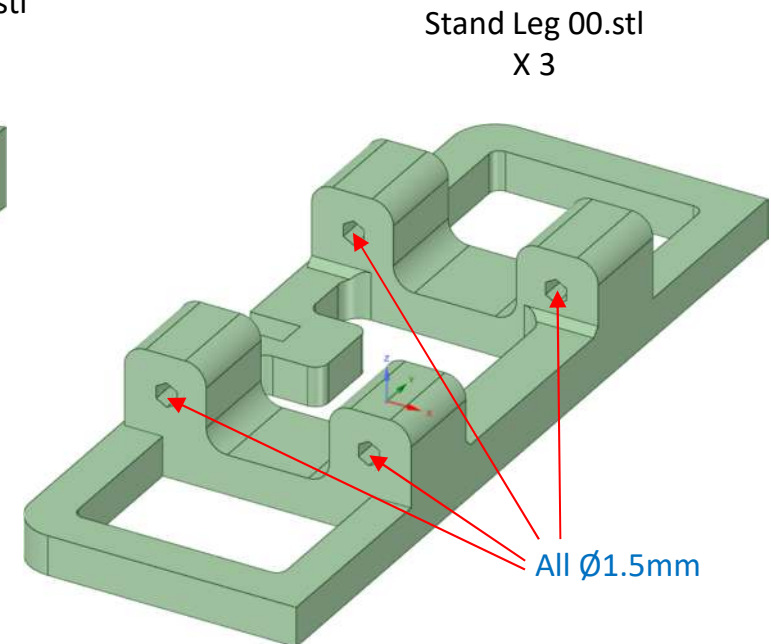
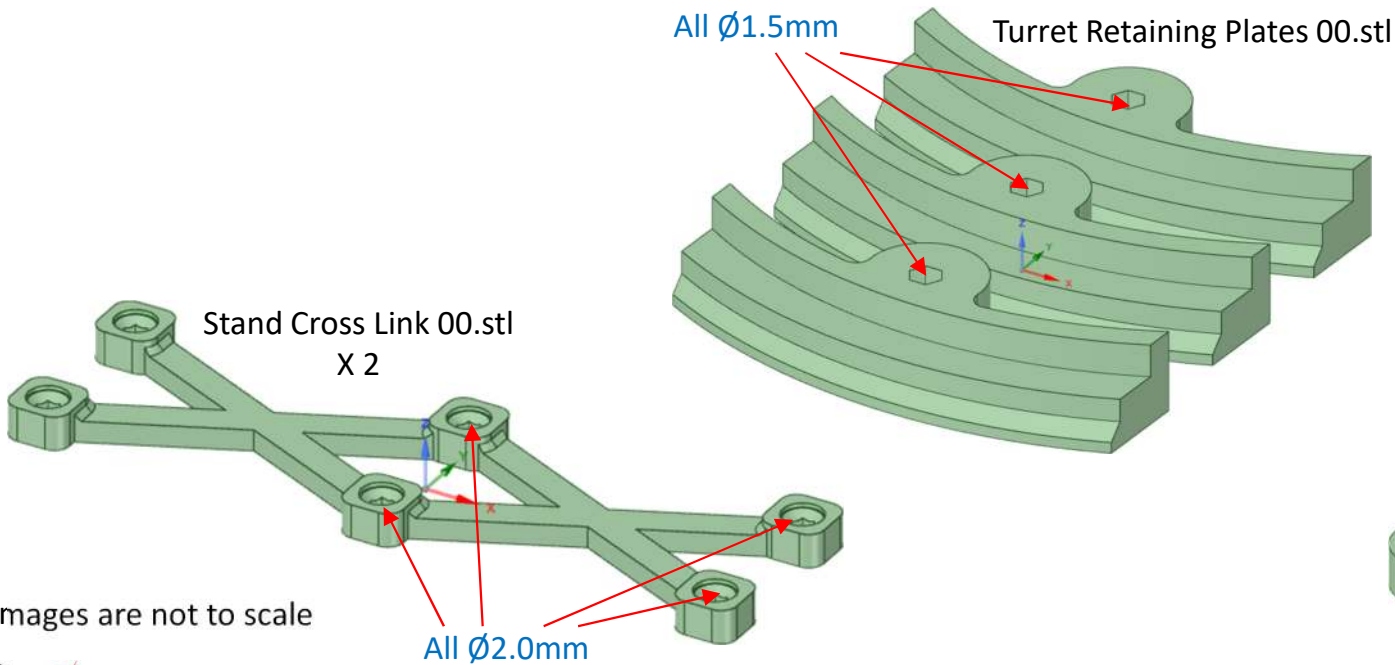
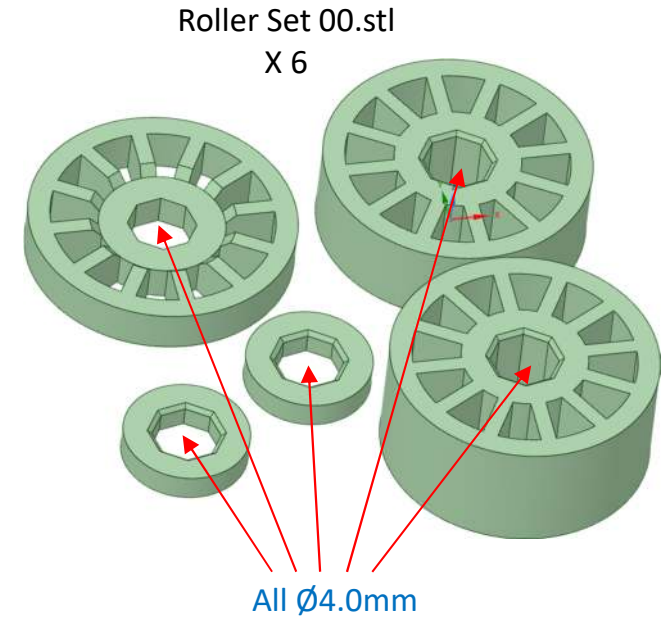
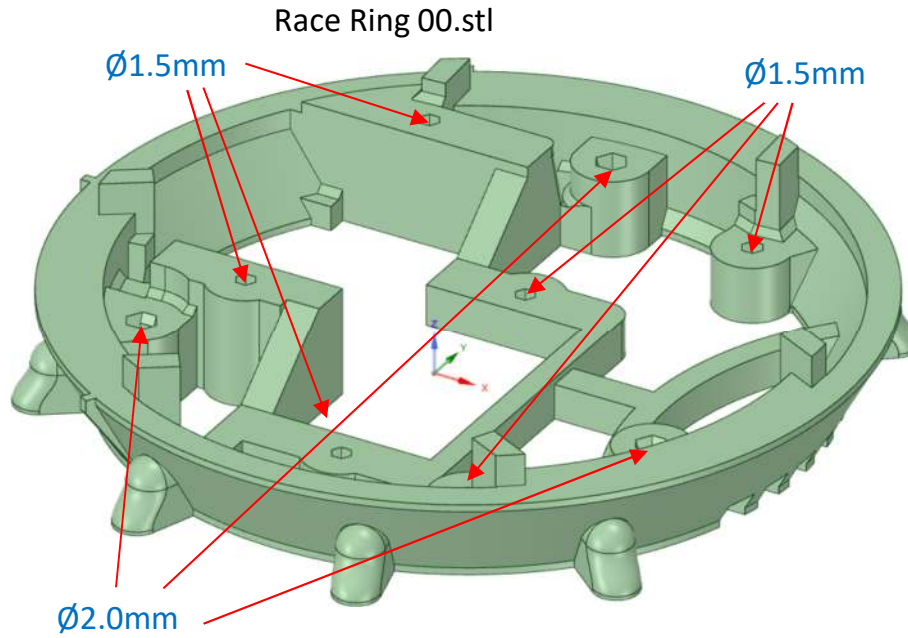


Images are not to scale

Printed Parts

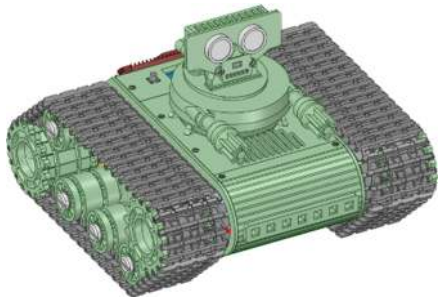


This should help you identify all of the pilot drill and clearance hole sizes.

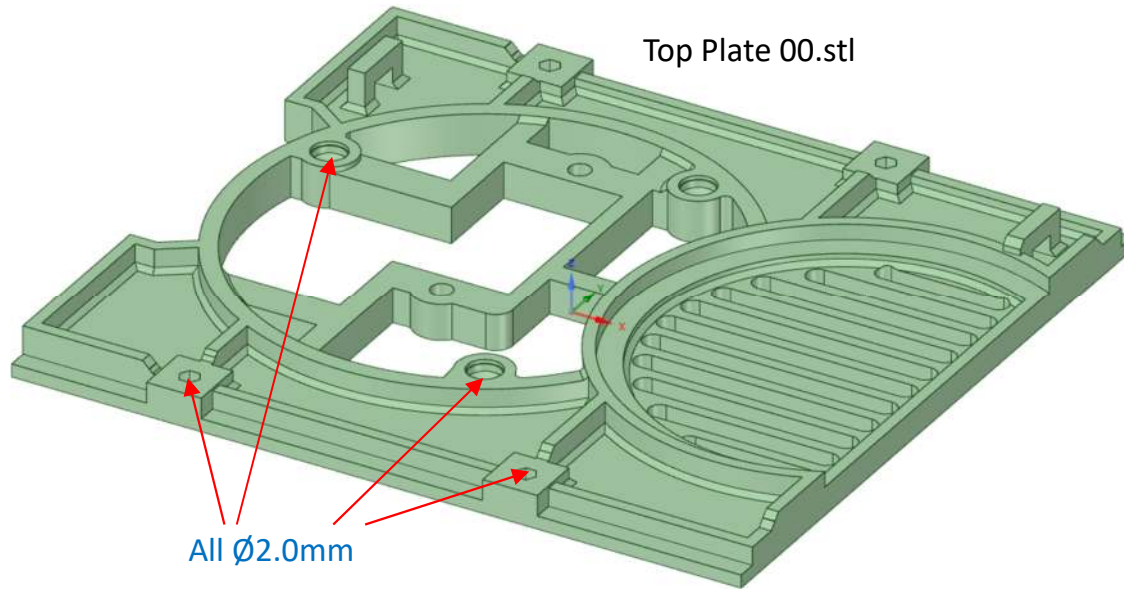


Images are not to scale

Printed Parts

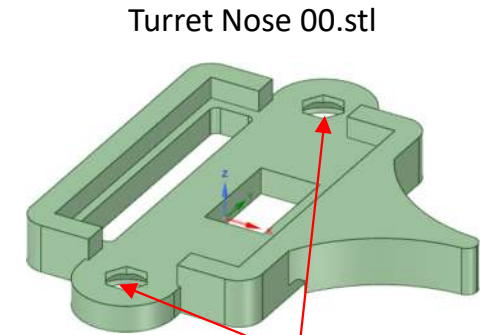


This should help you identify all of the pilot drill and clearance hole sizes.



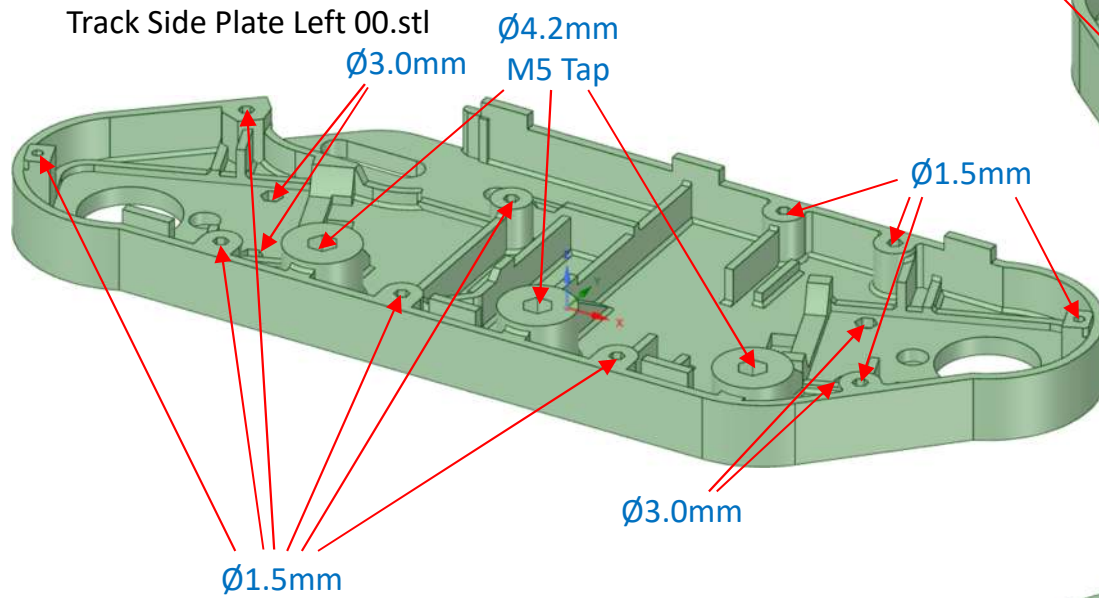
Top Plate 00.stl

All $\text{\O}2.0\text{mm}$



Turret Nose 00.stl

$\text{\O}2.0\text{mm}$



Track Side Plate Left 00.stl

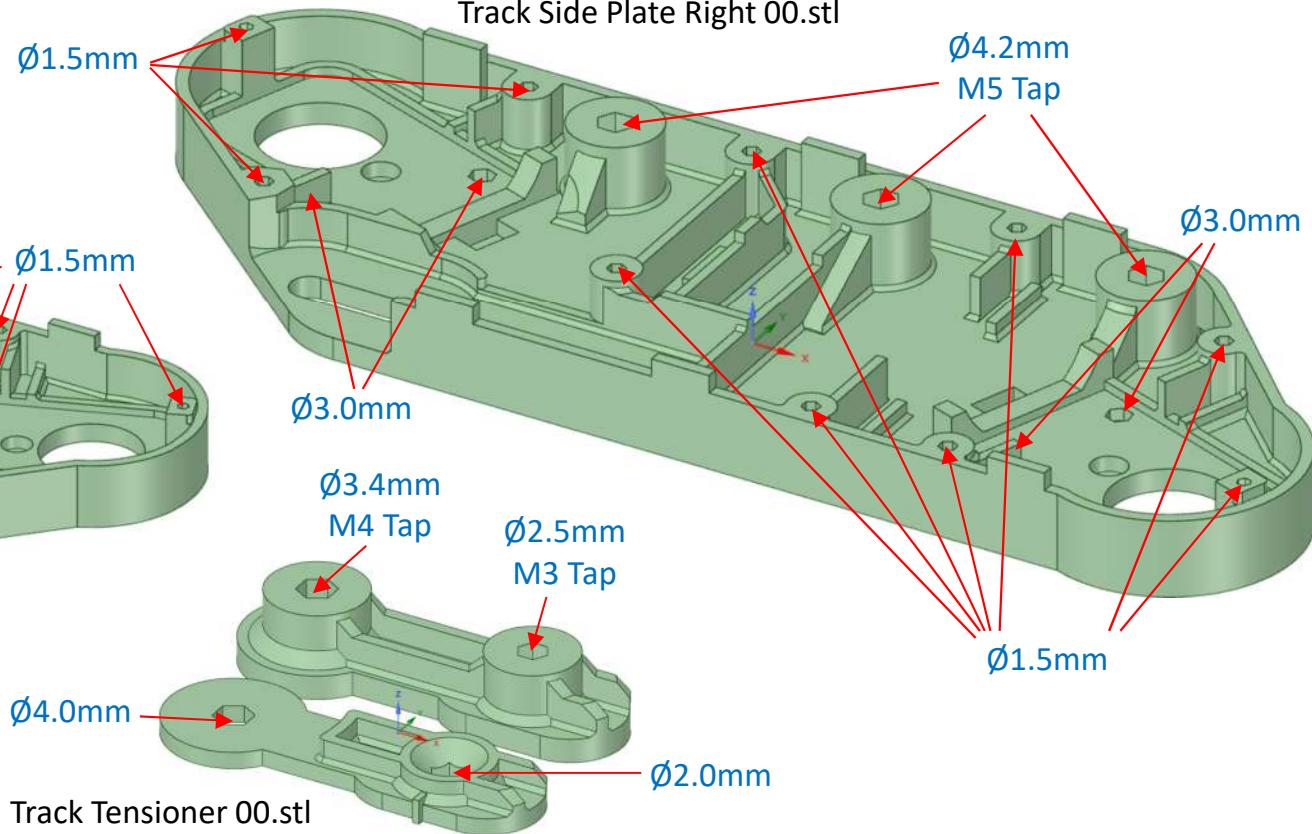
$\text{\O}3.0\text{mm}$

$\text{\O}4.2\text{mm}$
M5 Tap

$\text{\O}1.5\text{mm}$

$\text{\O}3.0\text{mm}$

$\text{\O}1.5\text{mm}$



Track Side Plate Right 00.stl

$\text{\O}1.5\text{mm}$

$\text{\O}4.2\text{mm}$
M5 Tap

$\text{\O}3.0\text{mm}$

$\text{\O}3.0\text{mm}$

$\text{\O}3.4\text{mm}$
M4 Tap

$\text{\O}2.5\text{mm}$
M3 Tap

$\text{\O}1.5\text{mm}$

$\text{\O}4.0\text{mm}$

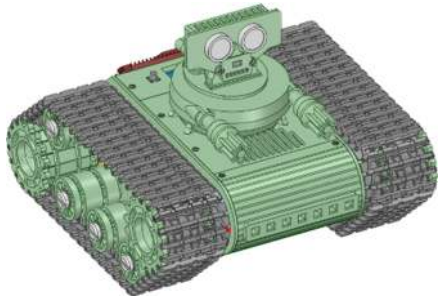
$\text{\O}2.0\text{mm}$

Track Tensioner 00.stl

X 2

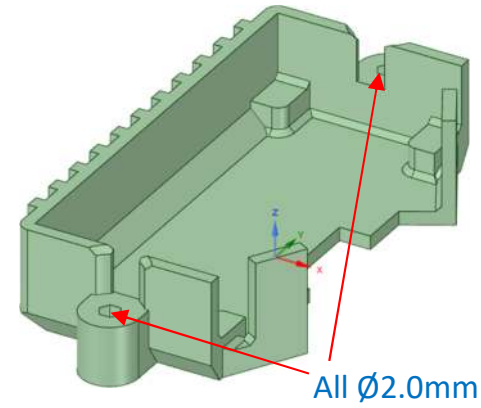
Images are not to scale

Printed Parts

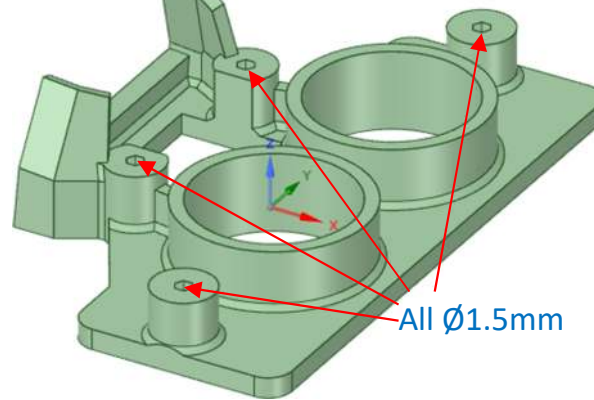


This should help you identify all of the pilot drill and clearance hole sizes.

Turret Sensor Cover 00.stl

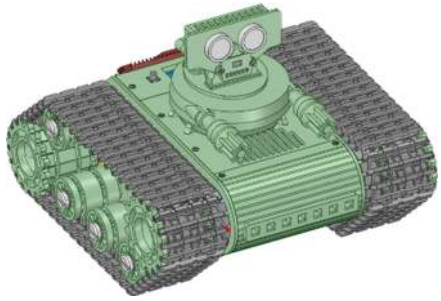


Turret Sensor Mount 00.stl



Images are not to scale

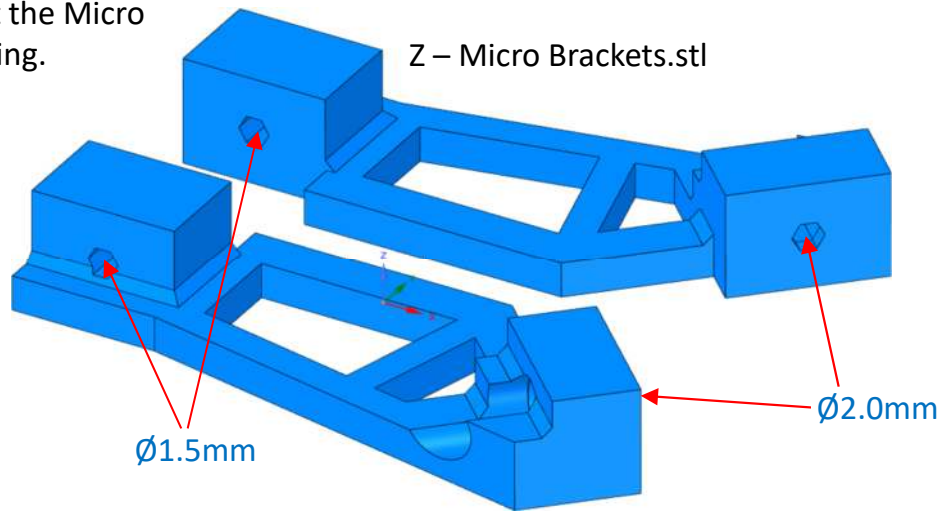
Printed Parts



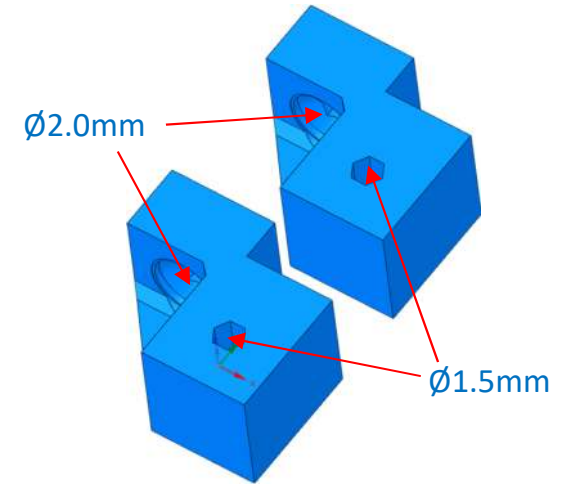
Blue components are optional assembly aids. Not part of the TankBot Mk1 robot. Use them to make the job easier.

This should help you identify all of the pilot drill and clearance hole sizes.

Used to support the Micro Plate during wiring.



Z – Top Plate Brackets.stl



Used to support the Top Plate during wiring.

Images are not to scale