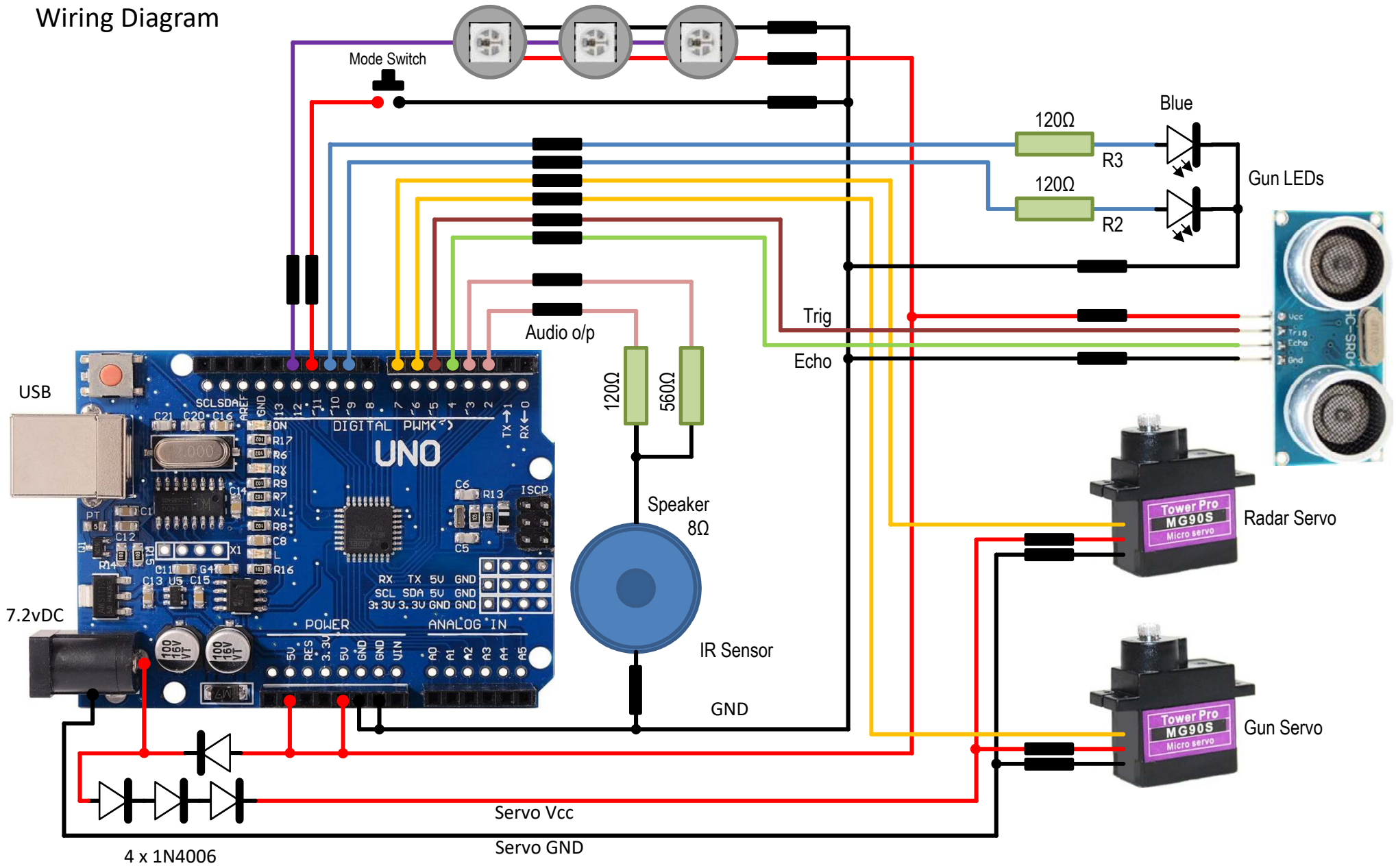
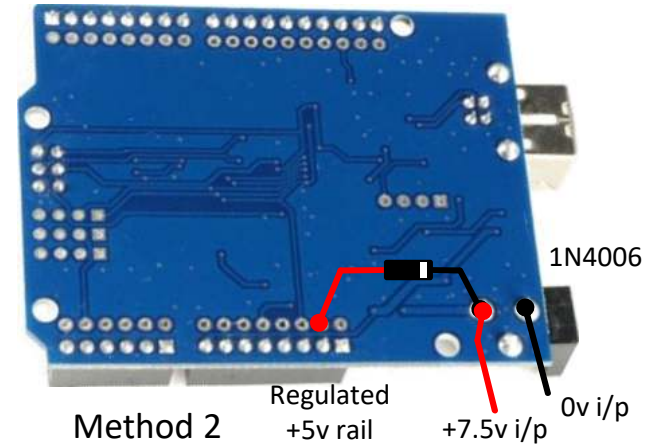
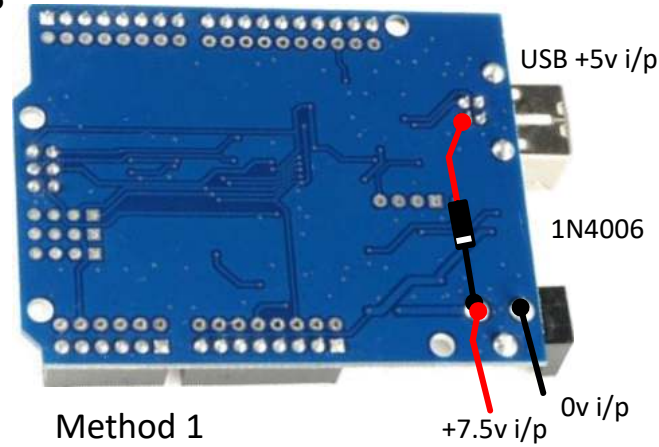


# Wiring Diagram



# Power Connections

Regulator protection diode



# Vero Board Strip

