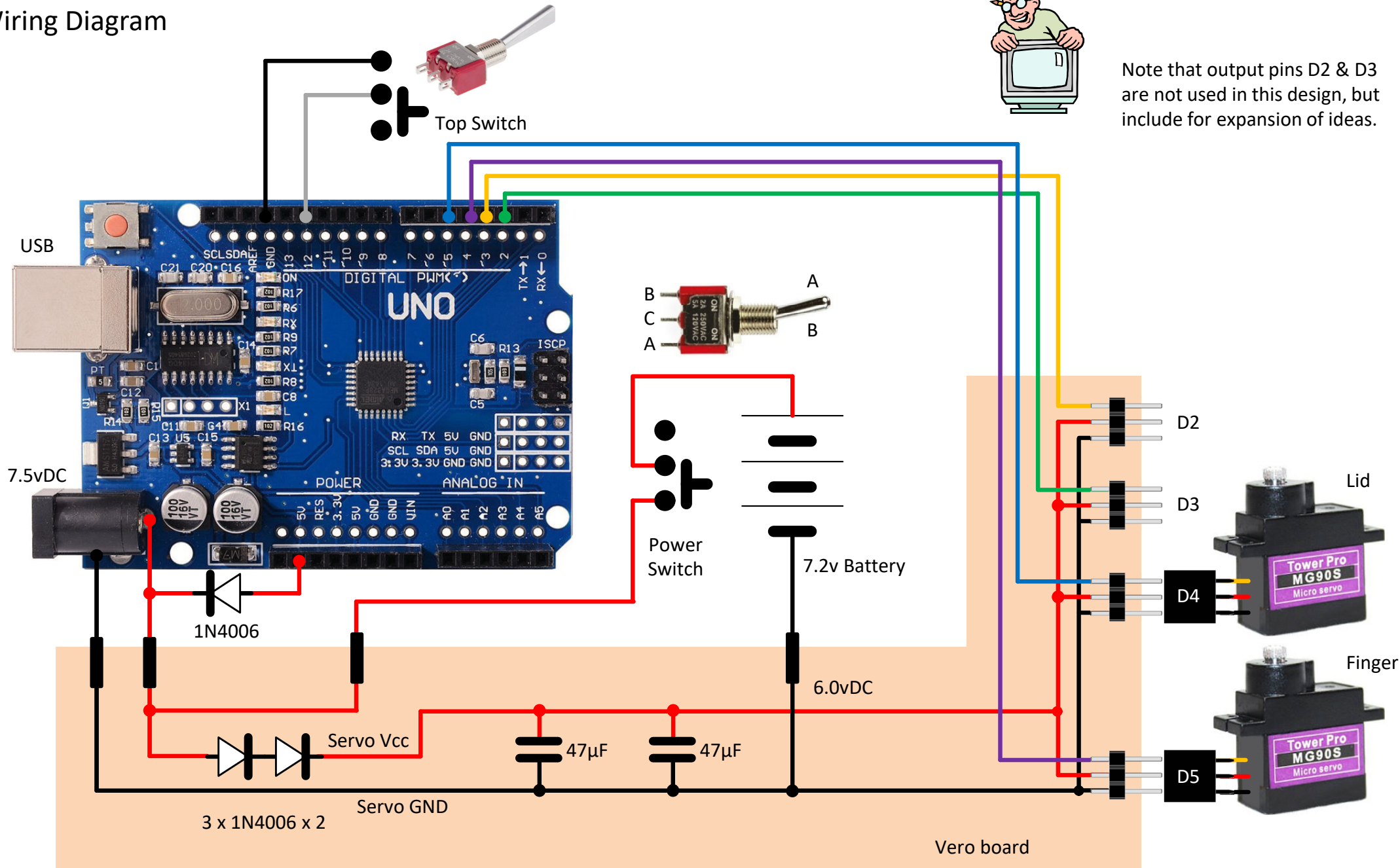


# Wiring Diagram

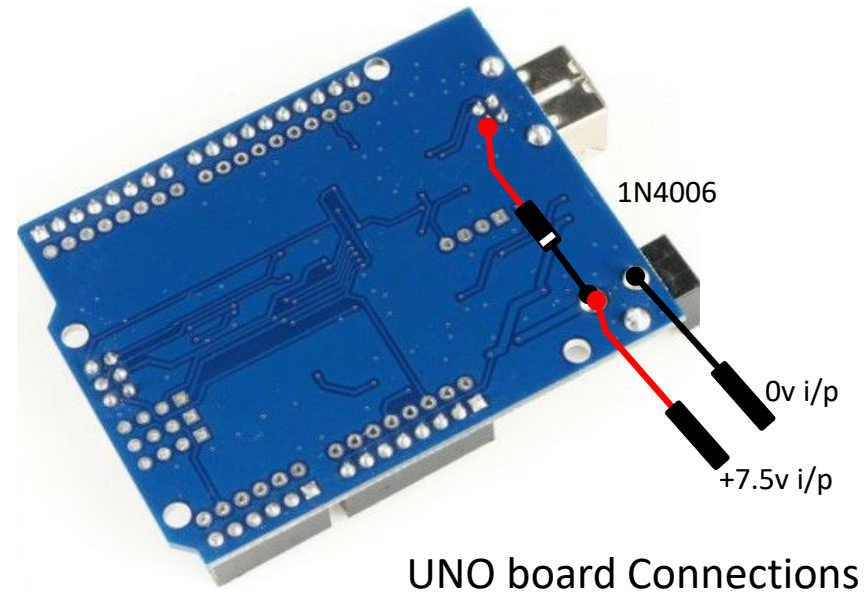
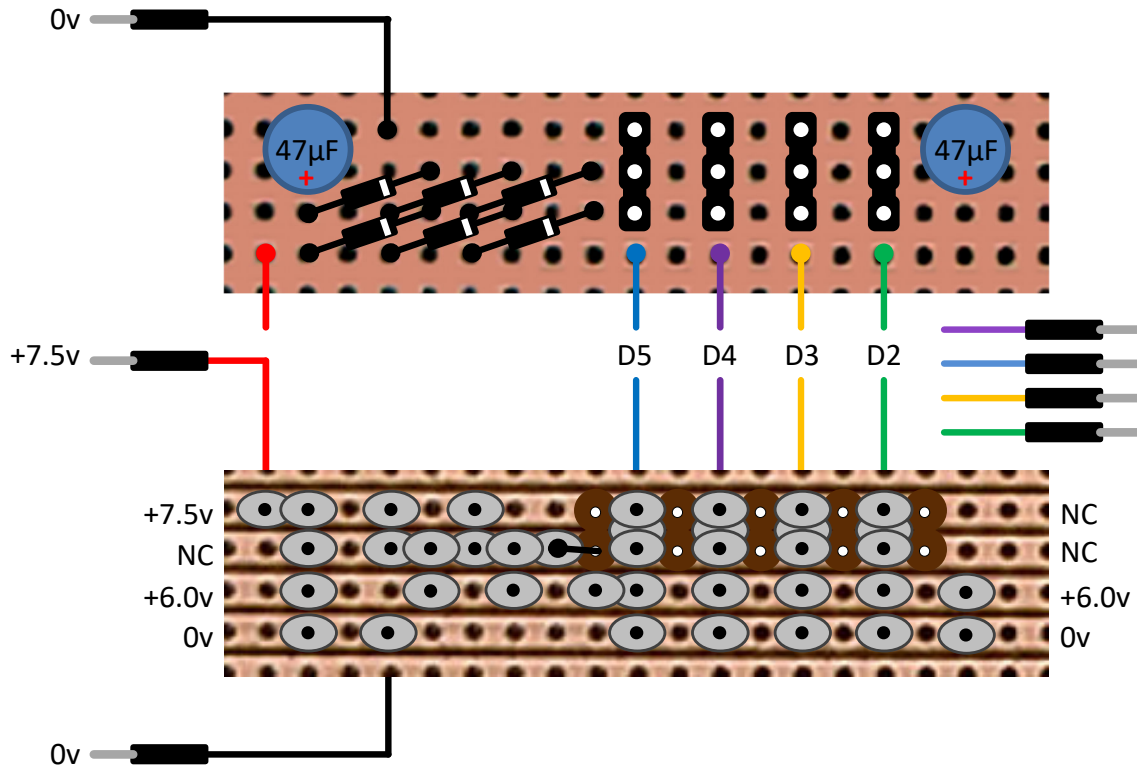


Note that output pins D2 & D3 are not used in this design, but include for expansion of ideas.



# Vero board Connections

This Veroboard is built and then mounted above the Arduino UNO board. Beneath the servo driving the finger.



UNO board Connections

These flying leads plug into the Arduino UNO board.

