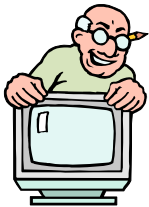
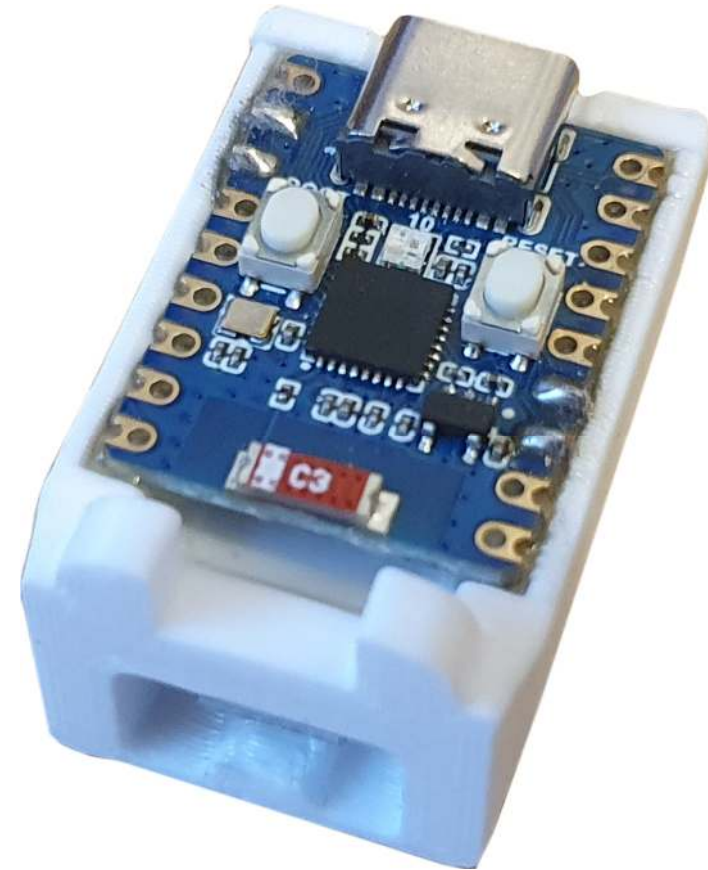
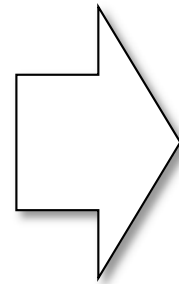
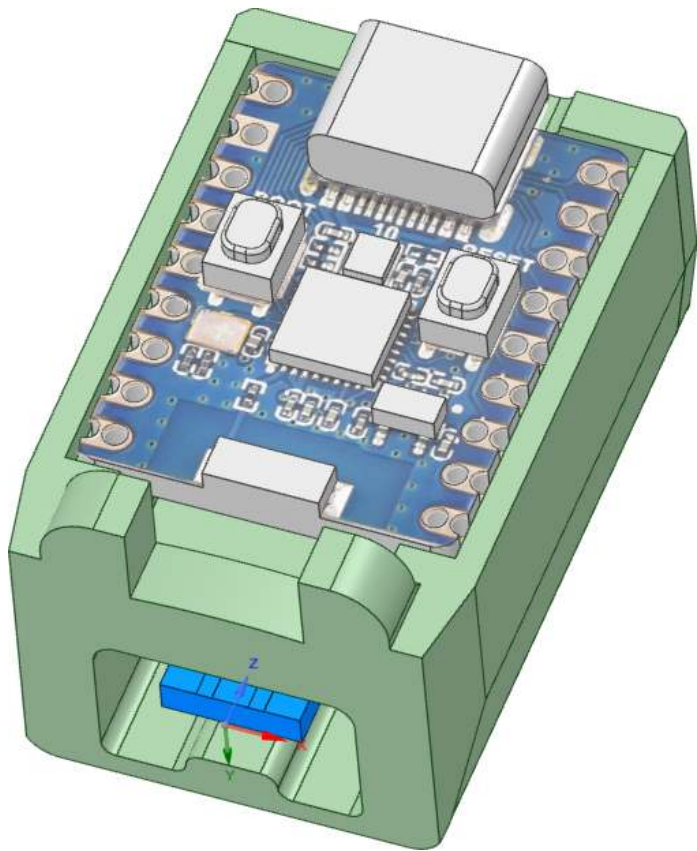


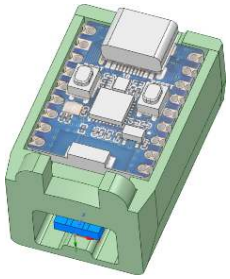
Wii ESP32-C3 Transceiver

3D Parts



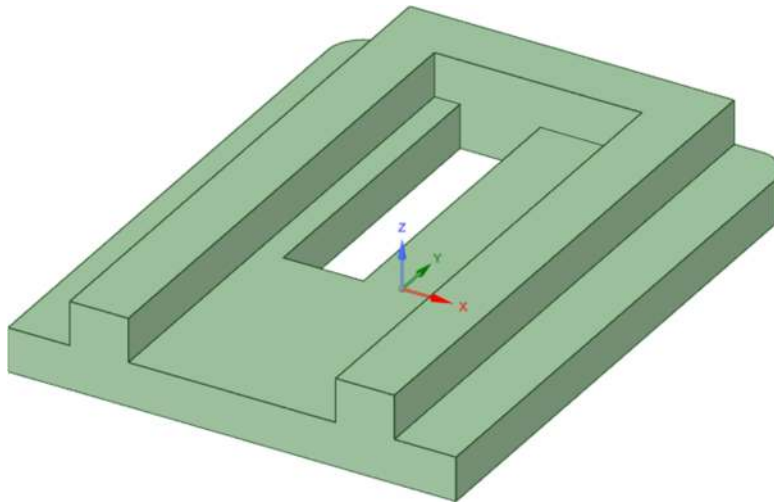
You can download a .zip file containing all of the 3D models for this project.

Printed Parts

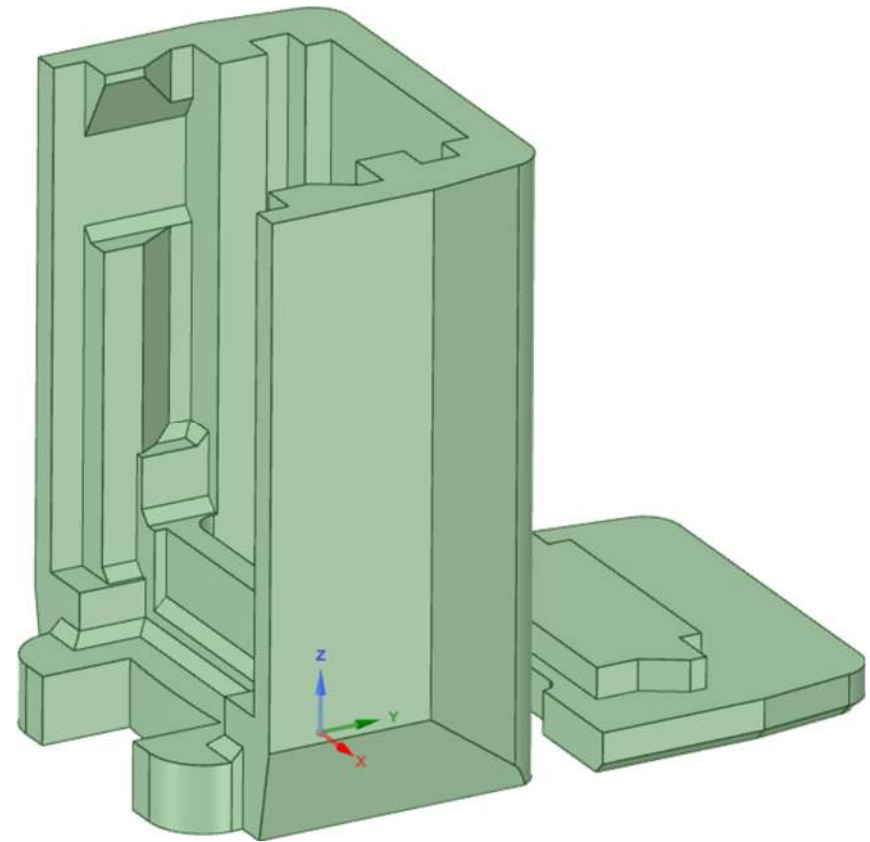


This should help you identify all of the parts needed to build the robot.

Adapter Plate.stl



Case & End.stl



Images are not to scale